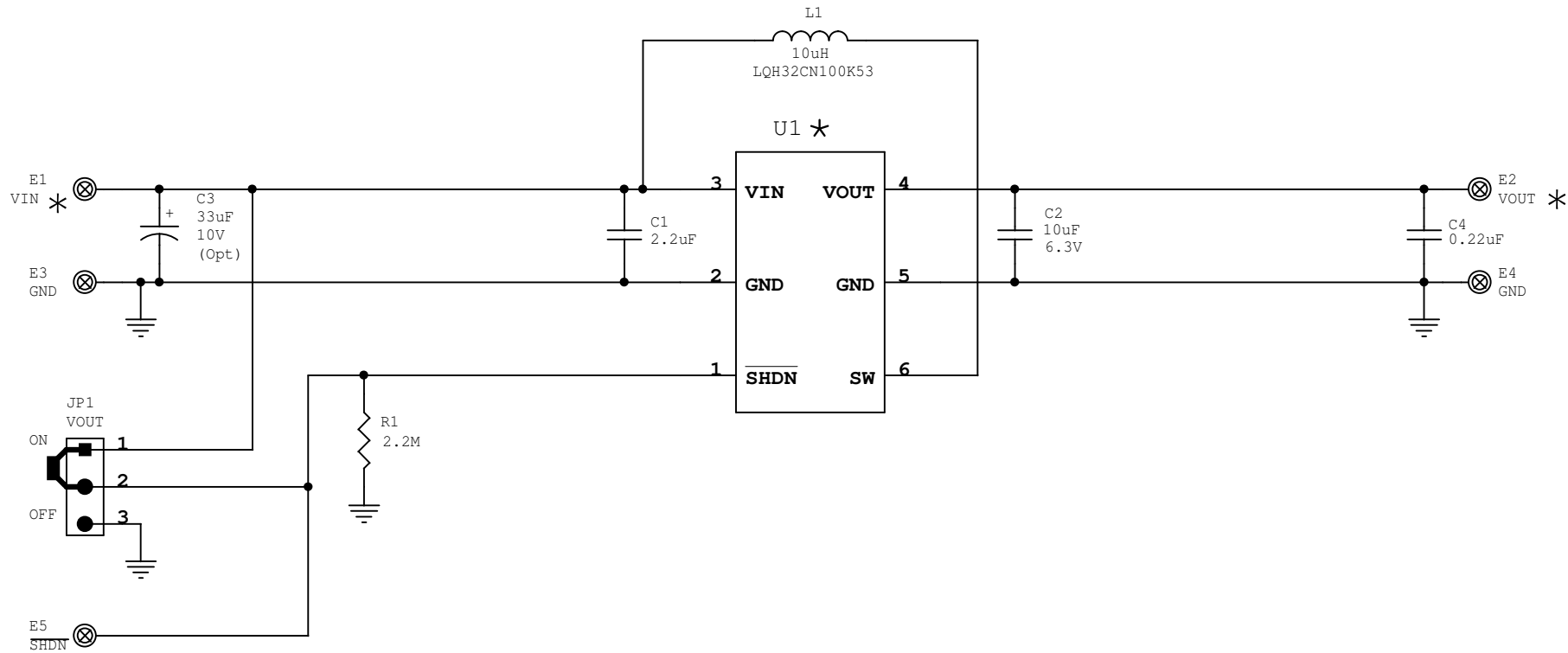


This circuit is proprietary to Linear Technology and supplied for use with Linear Technology parts.

Customer Notice: Linear Technology has made a best effort to design a circuit that meets customer-supplied specifications; however, it remains the customers responsibility to verify proper and reliable operation in the actual application, Component substitution and printed circuit board layout may significantly affect circuit performance or reliability. Contact Linear Applications Engineering for assistance.



* BOARD ASSEMBLY

	U1	VIN	VOUT/Imax
DC879A-A	LTC3525ESC6-3.3	1.8V-3.2V	3.3V/140mA
		1V-3.2V	3.3V/60mA
DC879A-B	LTC3525ESC6-5	3V-4.5V	5V/175mA
		1V-4.5V	5V/40mA

Linear Technology Corp.		1630 McCarthy Blvd., Milpitas, CA 95035-7417 Phone: (408)432-1900 Fax: (408)434-0507	
Title Micropower Synchronous Step-Up Converter with Output Disconnect			
Size A	Document Number	Demo Circuit 879A	
Date:	Monday, September 19, 2005	Sheet	1 of 1
	2		1