



RADIALL[®]
Fibre Optic Components

TECHNICAL DATA SHEET

F 709 024 XXX

Titre: ST2 MULTIMODE PLUG \varnothing 128_{mm} CERAMIC FERRULE CABLE \varnothing 3 MAX

Series
F709

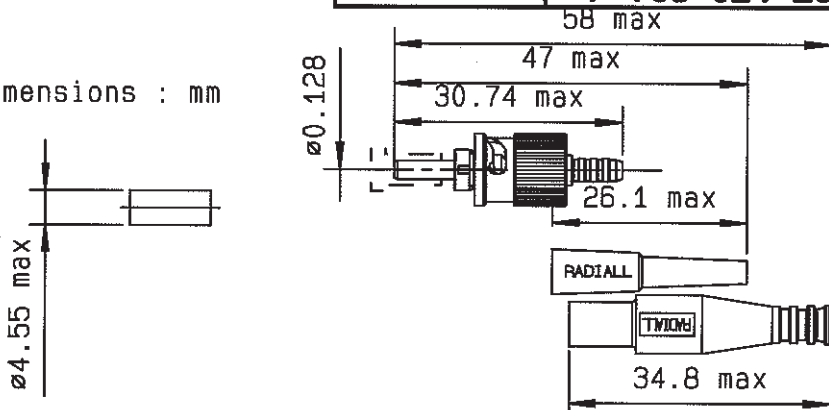
Issue:
06-04-00

Page
1/1

PACKAGING :	SINGLE	F 709 024 000
	PACK OF 100	F 709 024 200

mm to inch : 0.03937

Dimensions : mm



BOOT :
- COLOUR BLACK
- INFLAMMABILITY : V1 (UL94)

BODY :
- BRASS
- NICKEL PLATED

GENERAL

- TYPE : - IEC 1754-2 Type BFOC/2.5 - "ST2"
 - Ceramic Zirconia ferrule 20 mm pre-radius
 - Bayonet latching system
- FIBRE : - Multimode 62.5/125
- CABLE : - Cable \varnothing 2.7 to 3 mm (Hex. 3.84)
- WIRING : ASSEMBLY PROCEDURE 503 08 390
- For a tight cable \varnothing 2 with aramid strength member and a coated fiber \varnothing 0.9 :
 ----- See procedure F709PC02
 - For a loose cable \varnothing 3 with aramid strength member, a tube \varnothing 0.6/1 and a coated fiber \varnothing 0.25 :
 ----- See procedure F709PC30
 - For a coated fiber \varnothing 0.9 :
 ----- See procedure F709PC01
 - For a coated fiber \varnothing 0.25 inside a tube \varnothing 0.6/1 :
 ----- See procedure F709PC32

CHARACTERISTICS

(Depending on fibre or cable construction)

OPTICAL: Typical insertion loss (IEC 1300-3-4, Methode B or CECC 86000 Methode 7) with adaptor F709730000 at 850 nm (LED)

- Typical : 0.25 dB
- Standard deviation : 0.11 dB
- Reproducibility ; 0.05 dB

Return loss (IEC 61300-3-6 Methode B or CECC Methode 3, OTDR) :
- >30 dB (PC)

- MECHANICAL :
- Mating life : 500 mating cycles
 - Fibre retention : 5 N
 - Cable retention : 100 N
 - Vibrations : 10-55Hz, 1.5 mm

ENVIRONMENTAL:- Climatic category : 25/70/4 0.2 dB

CREATION

N° : EPF 9752
Name : CAUSSE C
Date : 10-23-98
Verif.: VALENCIA

06/04/00	Change of protective cap	Lahera R	
03-17-99	ASSEMBLY PROCEDURE REFERENCE	VALENCIA	
10-23-98	First issue	VALENCIA	
Issue	Revisions	Name	Approved