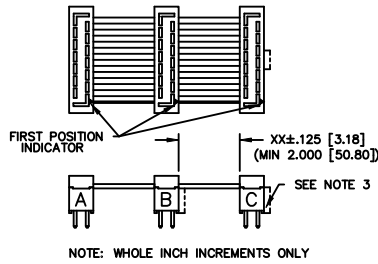
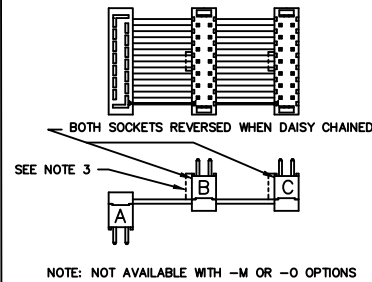


REV. AA -D"XX"
DAISY CHAIN-DOUBLE (SEE NOTE 1.)

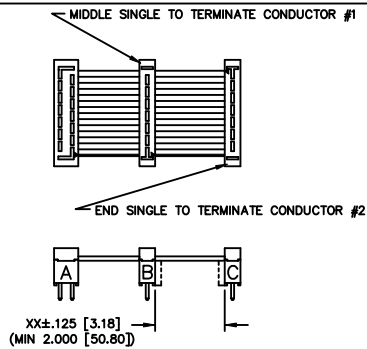


-R
REVERSED CONNECTOR (SEE NOTE 1.)

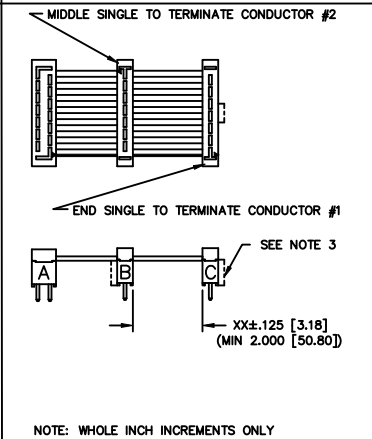


UNLESS OTHERWISE NOTED	TOLERANCES ARE:	TITLE:	DWG NO:
ONE PLACE DECIMALS ± .1	THREE PLACE DECIMALS ± .005	.100 C.L. MOLD TO POS.	HQMD-XX-Y-XXXX-XX-XXX-XXX
TWO PLACE DECIMALS ± .01	FOUR PLACE DECIMALS ± .0020	DOUBLE ROW, MALE ASSEMBLY	SHEET 2 OF 2
		ANGLES ± 1°	

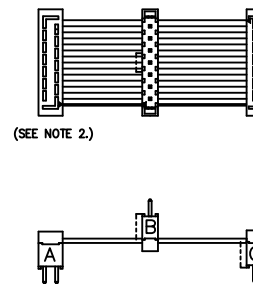
-W"XX"
WIRING REVERSED (SEE NOTE 2.)



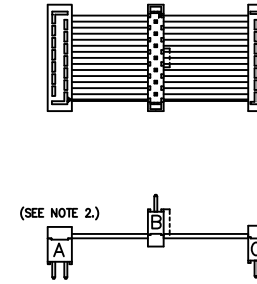
-S"XX"
DAISY CHAIN-SINGLE (SEE NOTE 2.)



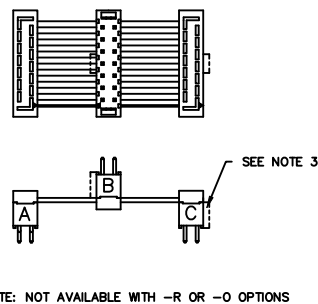
-W"XX"-M
MIDDLE REVERSED



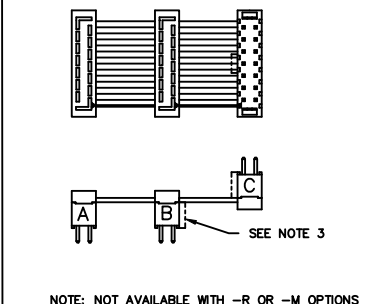
-S"XX"-M
MIDDLE REVERSED



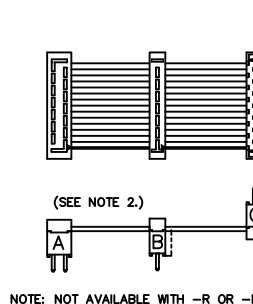
-D"XX"-M
MIDDLE REVERSED (SEE NOTE 1.)



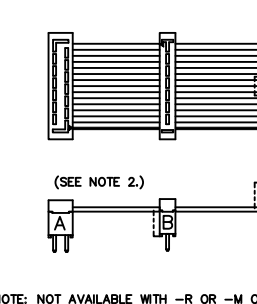
-D"XX"-O
OUTSIDE REVERSED (SEE NOTE 1.)



-W"XX"-O
OUTSIDE REVERSED



-D"XX"-O
OUTSIDE REVERSED



EP/CABLE
HQMD-XX-Y-XXXX-XX-XXX-XXX-ASM2

samtec

810 PROGRESS BLVD., NEW ALBANY, INDIANA 47150
PHONE (812) 944-8733 P.O. BOX 1147
CODE 55322

MADE BY: KOLB 8-3-90

HQMD-XX-Y-XXXX-XX-XXX-XXX
SHEET 2 OF 2