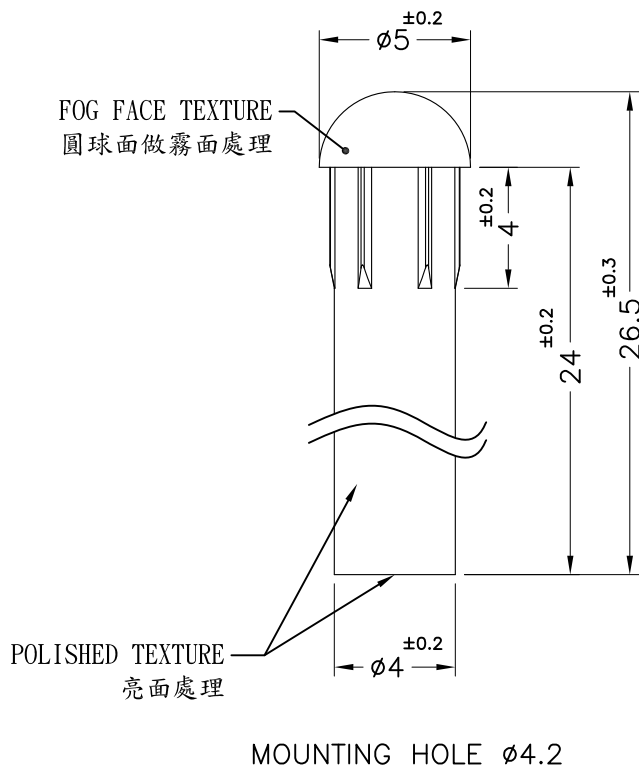
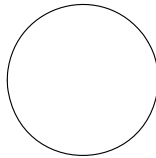


REVISIONS			
REV	DESCRIPTION	DATE	BY



NOTE:MADE OF EQUIVALENT MATERIAL.
使用同等材質

<p>康揚企業股份有限公司 KANG YANG HARDWARE ENTERPRISE CO., LTD. 康揚塑膠(東莞)有限公司 KANG YANG PLASTIC(DONG GUAN) CO.,LTD. 康哲電腦配件(吳江)有限公司 KANG CHE COMPUTER COMPONENTS(WUJIANG) CO.,LTD.</p>				TITLE	LED LIGHT PIPE	TITLE	SPEC. DWG.
				MATERIAL	PC UL94V-2	DATE	2015.06.17
				FINISH		DRAWN	LUKE
				COLOR	TRANSPARENT	CHECK	
PART NUMBER	DRAWING NUMBER		UNLESS OTHERWISE SPECIFIED TOLERANCE		APPROVED		
LEM-53-24	LEM-53-24		SEE ABOVE				
SIZE	SCALE	UNIT	REV				
A4	4:1	mm	A				