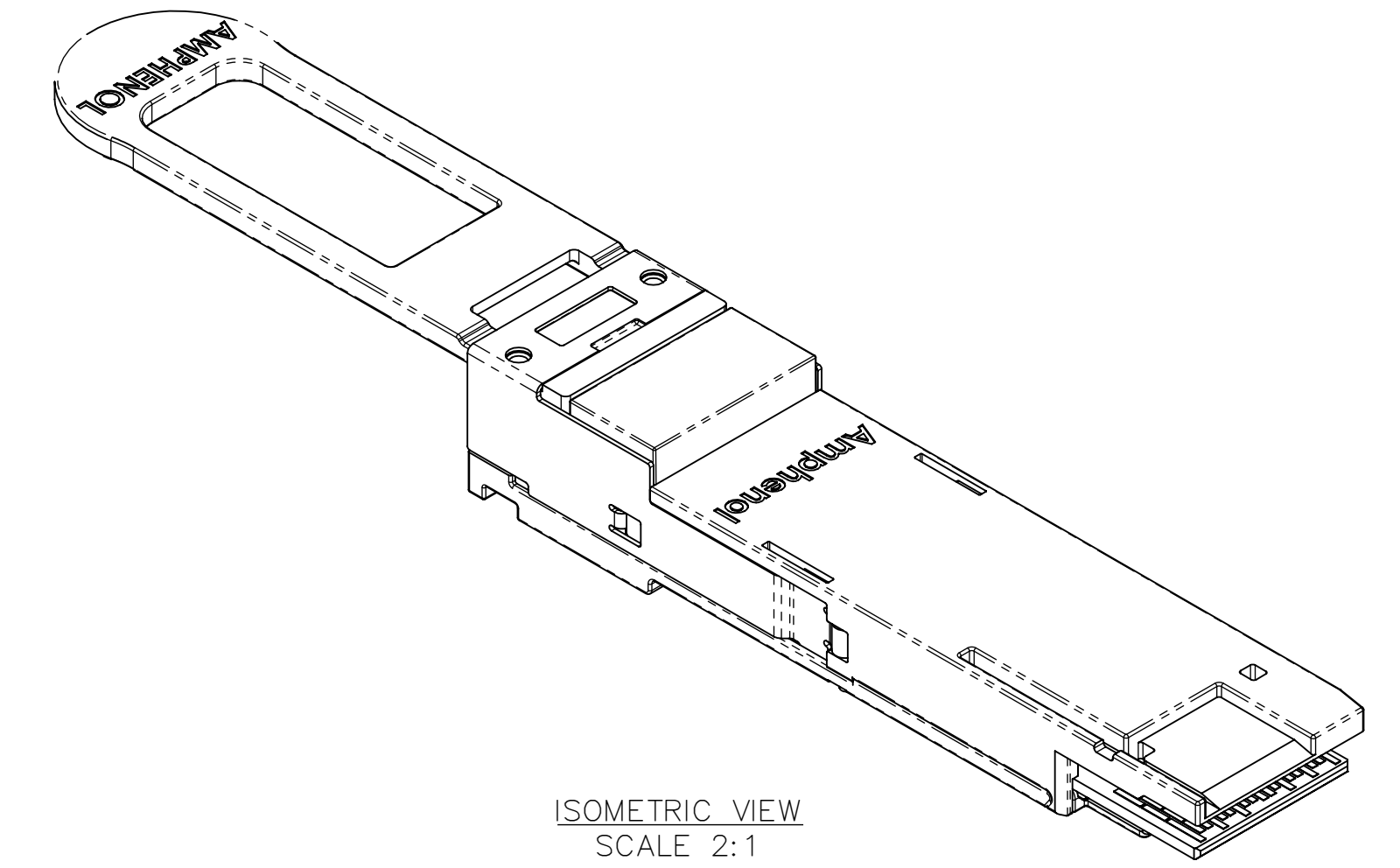
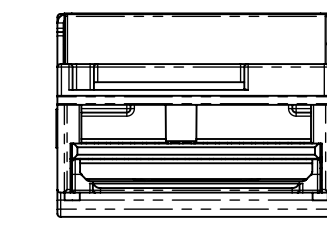
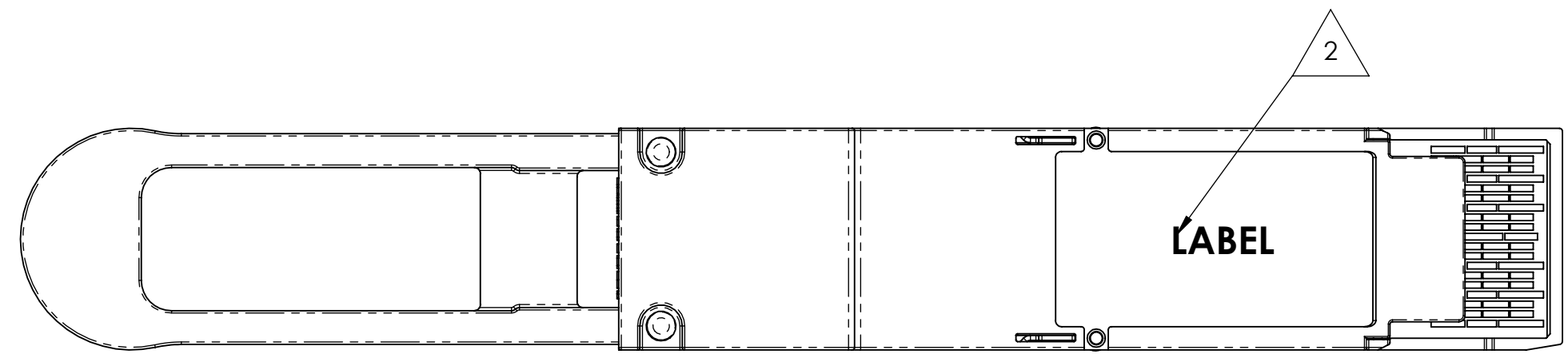
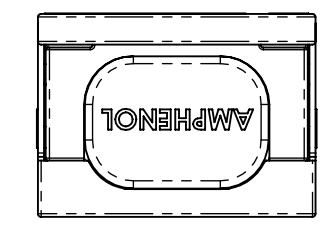
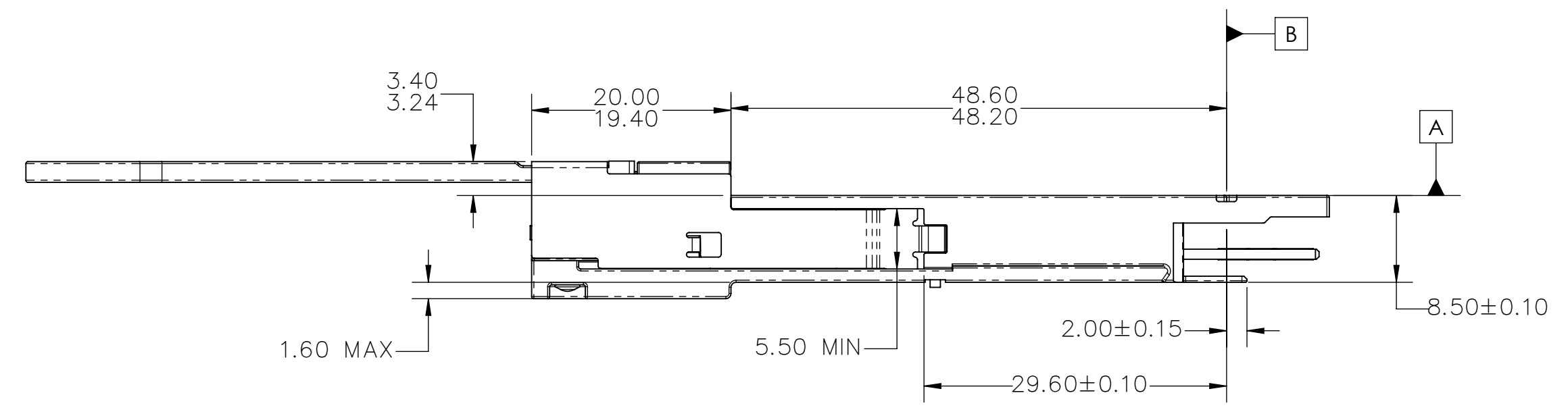
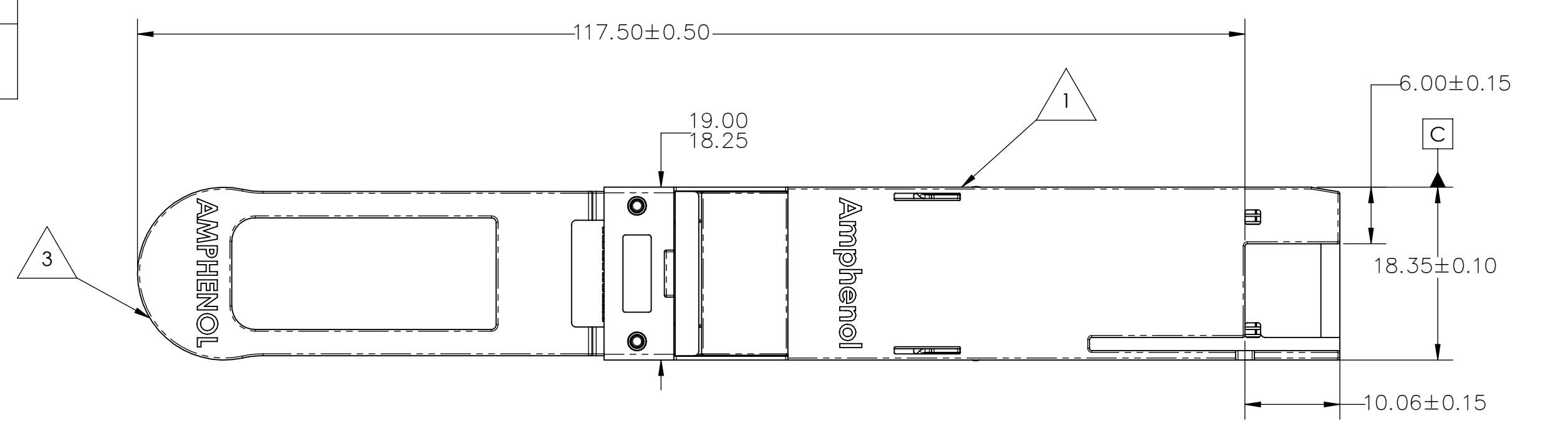
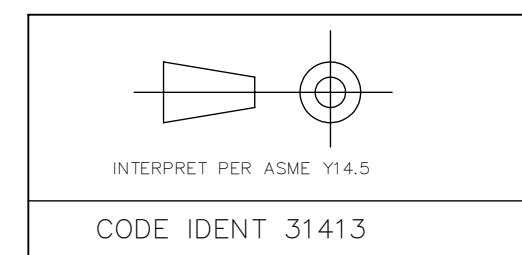


REVISIONS						
ZONE	REV.	ECN	DESCRIPTION	BY	DATE	APPROVED
ALL	A	MKHN-18121401	NEW RELEASE	HCL-PB	12/26/2018	M.HUSSAIN

TABLE 1	
ITEM No.	DESCRIPTION
①	PLUG, QSFP-DD, REFERENCE "QSFP-DD MSA"
②	LABEL, PLUG - AHSP P/N, REV, DATE CODE, CoO, OdB, OW & SERIAL NUMBER
③	PULL TAB, BLUE 2718



- NOTES:
- THIS DRAWING IS RESERVED FOR AMPHENOL CABLES ON DEMAND.
 - ASSEMBLIES SHALL BE COMPLIANT TO QSFP-DD MSA.
 - EPROM CONTENT SHALL BE COMPLIANT WITH QSFP-DD MSA SPECIFICATIONS FOR 400GB ASE-CR-4. EPROM REVISION IS EQUAL TO CUSTOMER PART NUMBER REVISION UNLESS OTHERWISE NOTED.



TOLERANCES	DWN 12/14/2018	Amphenol AHSP A Division of Amphenol Corporation 200 Innovative Way, Suite 201, Nashua, N.H. 03062 (603) 879-3000
0.0 ± 0.1	CHK 12/14/2018	
0.00 ± 0.08	M.HUSSAIN 12/14/2018	
0.000 ± -	APVD 12/14/2018	
ANGLES ± 1.0*	M.HUSSAIN	
UNLESS OTHERWISE SPECIFIED DIMENSIONS ARE IN MM		TITLE
CUSTOMER USE DRAWING		ELECTRICAL LOOPBACK PASSIVE, QSFP-DD
PART NO.	NLNAMB-C101	REV N/A
DRAWING NO.	C-NLNAMB-C101	REV A
SIZE D	SCALE 2:1	SHEET 1 OF 1