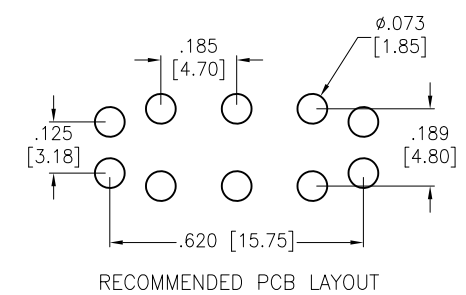
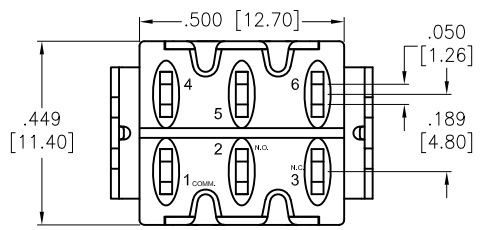
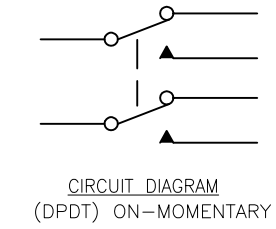
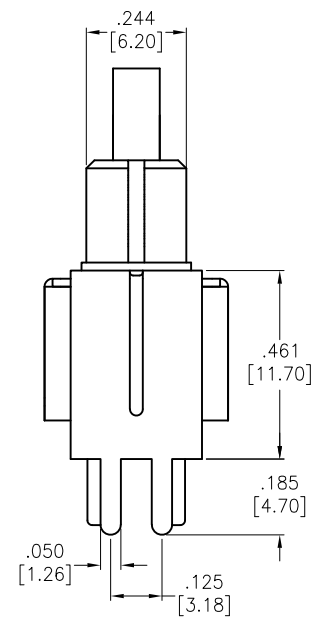
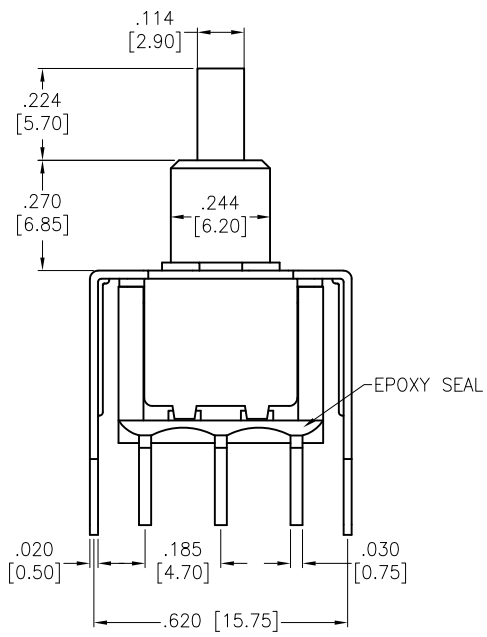


APPROVED: _____
 DATE: _____ TITLE: _____

Rev	AWO #	Description	Date	Appr
-		RELEASED	2/17/21	



SPECIFICATIONS:

Material:
 Movable Contact: Copper Alloy, Silver Plated
 Terminal: Copper Alloy, Silver Plated
 Electrical:
 Voltage rating: 120VAC or 38VDC
 Current rating: 1 Amps
 Contact resistance: 10 mΩ max
 Insulation resistance: 1,000 Mohms min
 Dielectric withstanding voltage: 1,500V RMS @Sea level
 Temperature Rating:
 Operating temperature: -30°C to +85°C
 Environmental:
 Lead free, RoHS compliant



UNLESS OTHERWISE SPECIFIED ALL DIMENSIONS ARE INCHES [MM] TOLERANCES: EXCEPT AS NOTED		 909 Rahway Avenue, Union, NJ 07083 Phone: 908-687-5000 Fax: 908-687-5710	
INCHES HOLES			
.X ± .10	Ø.X ± .10	TITLE	
.XX ± .020	Ø.XX ± .015	SNAP-ACTING PUSH BUTTON SWITCH, VERTICAL, PCB TYPE 11.70 HEIGHT, DPDT, ON-MOMENTARY, SILVER PLATED	
.XXX ± .015	Ø.XXX ± .010	SIZE	PART NO.
APPROVALS		REV.	
DRAWN	LH	X	
CHECKED	AC	SW-PB8-BB00B10QE-1	
APPROVED		REF: S00198T	SCALE: NTS
DATE		SHEET 1 OF 1	
2/17/21			

6

5

4

3

2

1

6

5

4

3

2

1