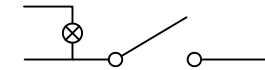
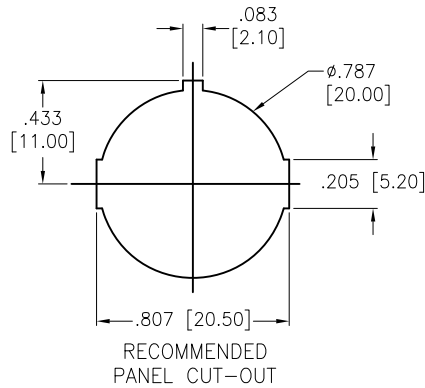
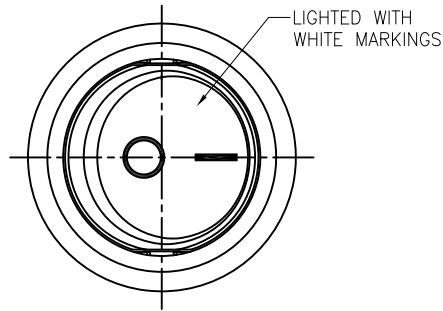
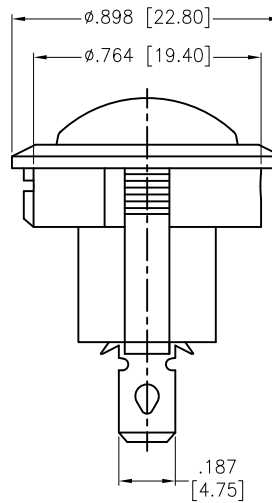
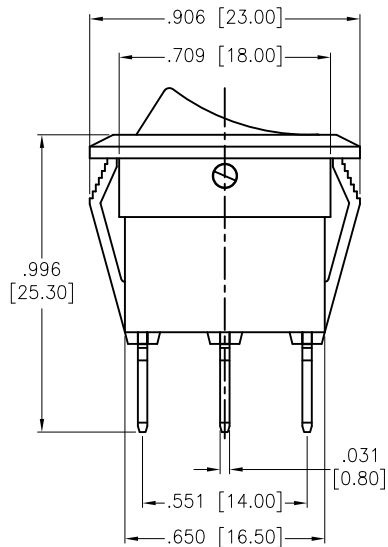


APPROVED: \_\_\_\_\_  
 DATE: \_\_\_\_\_ TITLE: \_\_\_\_\_

Rev	AWO #	Description	Date	Appr
-		RELEASED	10/23/20	
A		UPDATE SPEC.	8/31/21	WX/RC



CIRCUIT DIAGRAM  
(SPST) ON-OFF



SW-R2-1A-F-LXX-8

Lighted Actuator		Actuator Markings	
W	Lighted White	1	
R	Lighted Red	2	
G	Lighted Green	3	
Y	Lighted Yellow (Amber)	4	
B	Lighted Blue	5	
O	Lighted Orange	6	

Replace "x" in P/N with the corresponding switch color and marking

**SPECIFICATIONS:**

Body: Nylon 66, Color Black, Rated UL 94V-0

Terminal: Brass, Silver plated

Button: Nylon 66, Lighted color (See Chart). White color markings

**Electrical:**

The rated load: 250V AC, 6A

125V AC, 10A

Contact resistance: 50 mohms max

Insulation resistance: 100 Mohms min

Dielectric withstanding voltage: 1500 VAC/5S min

**Mechanical:**

Electrical life: 10000 Cycles min

Temperature Rating:

Operating temperature: -25°C to +85°C

Environmental:

Lead free, RoHS compliant



UNLESS OTHERWISE SPECIFIED  
 ALL DIMENSIONS ARE INCHES [MM]  
 TOLERANCES: EXCEPT AS NOTED  
 INCHES HOLES  
 .X ± .10 Ø.X ± .10  
 .XX ± .020 Ø.XX ± .015  
 .XXX ± .015 Ø.XXX ± .010



909 Rahway Avenue,  
 Union, NJ 07083  
 Phone: 908-687-5000  
 Fax: 908-687-5710

APPROVALS		DATE
DRAWN	OW	10/23/20
CHECKED	AC	10/23/20
APPROVED		

TITLE SWITCH, MINIATURE ROCKER SPST, ON-OFF, QC .187 [4.75MM], LIGHTED		
SIZE X	PART NO. SW-R2-1A-F-LXX-8	REV. A
REF: -	SCALE: NTS	SHEET 1 OF 1