

Regarding the usage of our schematics and alike documentation for Trenz module TE0729.

Project is protected under copyright and we strongly and strictly prohibit the reverse engineering or recreation, even if the design is just adapted or modified. TE0729 is protected under such right and in case of plagiarism we will have to do anything necessary in order to protect our assets.

Schematics and other handouts serve for informational purposes only!

	Title: TE0729 - Legal Notice		
	A4	Number: TE0729 62165MM	Rev. 02
	Date: 2020-08-14	Copyright: Trenz Electronic GmbH / TT	Page 1 of 21
	Filename: Legal Notices Modules.SchDoc		

1

2

3

4

U_DDR-RAM
DDR-RAM.SchDoc



U_B13
B13.SchDoc



U_B34
B34.SchDoc



U_B35
B35.SchDoc



U_MIO_B500
MIO_B500.SchDoc



U_MIO_B501
MIO_B501.SchDoc



U_Interface
Interface.SchDoc



U_Power
Power.SchDoc



U_PS-DRR
PS-DRR.SchDoc



U_PowerOverview
PowerOverview.SchDoc



U_ETH-PHY
ETH-PHY.SchDoc



U_ZYNC_POWER
ZYNC_POWER.SchDoc



U_ZYNQ_MISC
ZYNQ_MISC.SchDoc



U_B33
B33.SchDoc



U_IND_ETH-PHY
IND_ETH-PHY.SchDoc



U_USB-PHY
USB-PHY.SchDoc



U_eMMC
eMMC.SchDoc



U_SENSOR-RTC
SENSOR-RTC.SchDoc



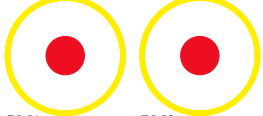
U_CPLD
CPLD.SchDoc



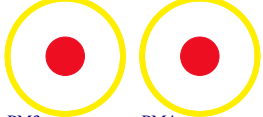
U_LN
Legal Notices Modules.SchDoc



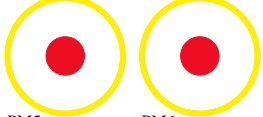
FIDU-DOT - small FIDU-DOT - small



PM1 PM2
FIDU-DOT - small FIDU-DOT - small



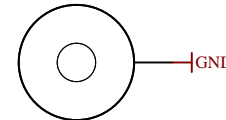
PM3 PM4
FIDU-DOT - small FIDU-DOT - small



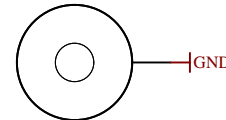
PM5 PM6



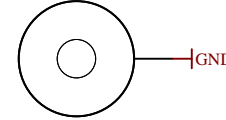
Serial
Serial
Serialnumber 6,3 x 6,3mm



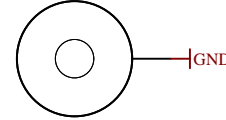
Mount.Hole 3.2mm für Unterlegscheibe



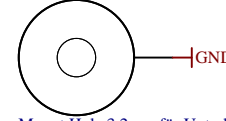
Mount.Hole 3.2mm für Unterlegscheibe



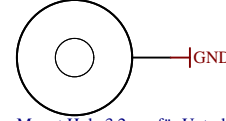
Mount.Hole 3.2mm für Unterlegscheibe



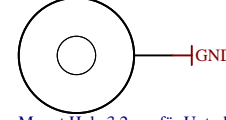
Mount.Hole 3.2mm für Unterlegscheibe



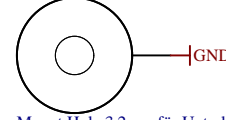
Mount.Hole 3.2mm für Unterlegscheibe



Mount.Hole 3.2mm für Unterlegscheibe



Mount.Hole 3.2mm für Unterlegscheibe



Mount.Hole 3.2mm für Unterlegscheibe



Title: TE0729		
A4	Number: TE0729 62165MM	Rev. 02
Date: 2016-05-02	Copyright: Trenz Electronic GmbH / TT	Page 2 of 21
Filename: TE0729.SchDoc		

1

2

3

4

A

A

B

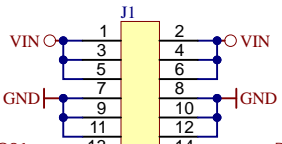
B

C

C

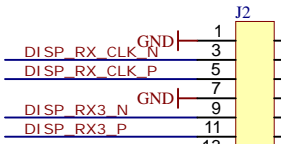
D

D



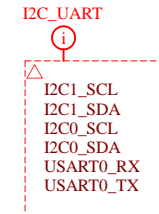
B33 IO31	13	B33 IO29	14
B33 IO28	15	B33 IO37	16
B33 IO2	17	B33 IO0	18
B33 IO3	19	B33 IO1	20
B33 IO8	21	B33 IO4	22
B33 IO30	23	B33 IO5	24
B33 IO9	25	B33 IO7	26
B33 IO11	27	B33 IO17	28
VCCIO_33	29		
B33 IO6	31	B33 IO12	32
B33 IO10	33	B33 IO13	34
B33 IO16	35	B33 IO14	36
B33 IO20	37	B33 IO15	38
B33 IO25	39	B33 IO19	40
B33 IO22	41	B33 IO21	42
B33 IO24	43	B33 IO18	44
B33 IO26	45	B33 IO23	46
GND	47		
B33 IO27	49	B33 IO32	50
B33 IO40	51	B33 IO33	52
B33 IO41	53	B33 IO34	54
B33 IO36	55	B33 IO35	56
B33 IO42	57	B33 IO47	58
B33 IO39	59	B33 IO43	60
B33 IO44	61	B33 IO46	62
B33 IO38	63	B33 IO45	64
3.3V	65		
B13 L4_N	67	B13 L7_P	68
B13 L4_P	69	B13 L7_N	70
B13 L10_P	71	B13 L8_P	72
B13 L10_N	73	B13 L8_N	74
B13 L3_P	75	B13 L9_P	76
B13 L3_N	77	B13 L9_N	78
B13 L12_P	79	B13 L11_P	80
B13 L12_N	81	B13 L11_N	82
GND	83		
B13 L2_N	85	B13 L17_P	86
B13 L2_P	87	B13 L17_N	88
B13 L14_P	89	B13 L16_P	90
B13 L14_N	91	B13 L16_N	92
B13 L13_P	93	B13 L15_P	94
B13 L13_N	95	B13 L15_N	96
B13 L24_N	97	B13 L18_N	98
B13 L24_P	99	B13 L18_P	100
VCCIO_13	101		
B13 L21_P	103	B13 L5_P	104
B13 L21_N	105	B13 L5_N	106
B13 L20_N	107	B13 L1_P	108
B13 L20_P	109	B13 L1_N	110
B13 L22_N	111	B13 L6_P	112
B13 L22_P	113	B13 L6_N	114
B13 L19_P	115	B13 L23_N	116
B13 L19_N	117	B13 L23_P	118
GND	119		

BTE-060-01-L-D-A-K-TR

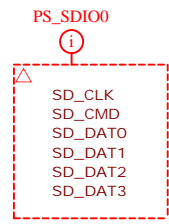
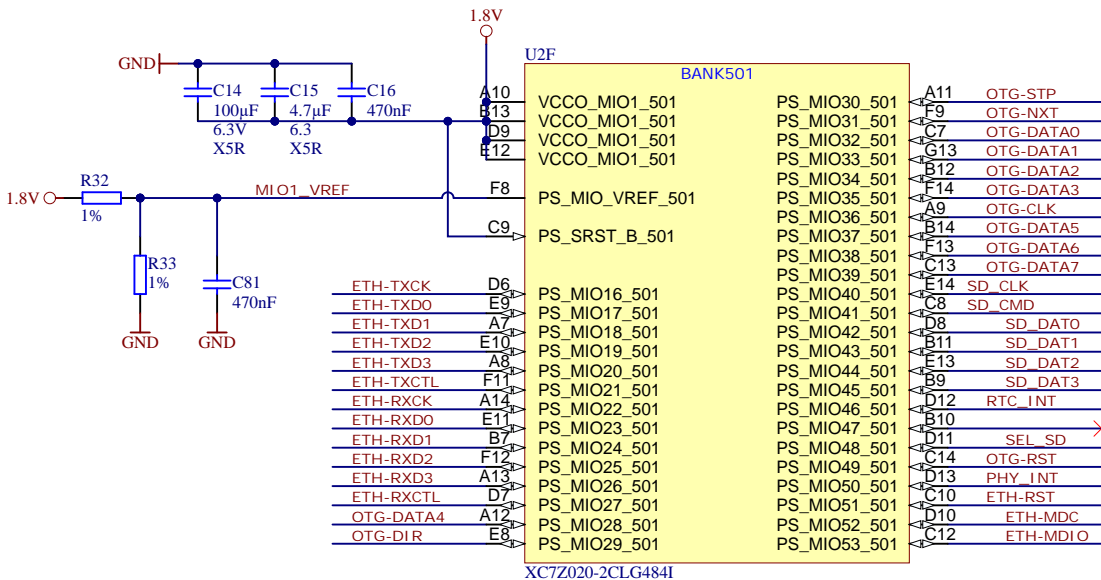


DISP_RX_CLK_N	1	ETH2_TX_P	2
DISP_RX_CLK_P	3	ETH2_TX_N	4
	5		6
DISP_RX3_N	7	GND	8
DISP_RX3_P	9	ETH2_RX_P	10
	11	ETH2_RX_N	12
	13	GND	14
DISP_RX2_N	15	ETH2_LED1	16
DISP_RX2_P	17	ETH2_LED0	18
	19		20
DISP_RX1_N	21	ETH1_TX_P	22
DISP_RX1_P	23	ETH1_TX_N	24
	25	GND	26
DISP_RX0_N	27	ETH1_RX_P	28
DISP_RX0_P	29	ETH1_RX_N	30
	31		32
B35 IO0	33	ETH1_LED1	34
B35 IO1	35	ETH1_LED0	36
B35 IO2	37	B35 IO23	38
B35 IO3	39	B35 IO24	40
B35 IO4	41	B35 IO25	42
B35 IO5	43	B35 IO26	44
B35 IO6	45	B35 IO27	46
B35 IO7	47	B35 IO28	48
B35 IO7	49	B35 IO29	50
B35 IO8	51	SIN_P	52
B35 IO9	53	SIN_N	54
B35 IO10	55		56
PHY_LED1	57	SOUT_P	58
PHY_LED0	59	SOUT_N	60
B35 IO11	61		62
B35 IO12	63	PHY_MDI3_N	64
B35 IO13	65	PHY_MDI3_P	66
B35 IO14	67		68
B35 IO15	69	PHY_MDI2_N	70
B35 IO16	71	PHY_MDI2_P	72
B35 IO17	73		74
B35 IO18	75	PHY_MDI1_N	76
B35 IO19	77	PHY_MDI1_P	78
B35 IO20	79		80
B35 IO21	81	PHY_MDI0_N	82
B35 IO22	83	PHY_MDI0_P	84
	85		86
MIO0	87	MIO9	88
nRST	89	I2C0_SDA	90
nRST_in	91	I2C0_SCL	92
I2C1_SDA	93	USART0_RX	94
I2C1_SCL	95	USART0_TX	96
VBUS_V_EN	97		98
	99		100
OTG-D_P	101	eSD_DAT2	102
OTG-D_N	103	eSD_DAT3	104
	105	eSD_CMD	106
	107	eSD_CLK	108
USB-VBUS	109	eSD_DAT0	110
OTG-ID	111	eSD_DAT1	112
JTAGSEL	113	BOARD_STAT	114
TMS	115	BOOT_MODE2	116
TDI	117	BOOT_MODE1	118
TDO	119	VBAT_IN	120
TCK			

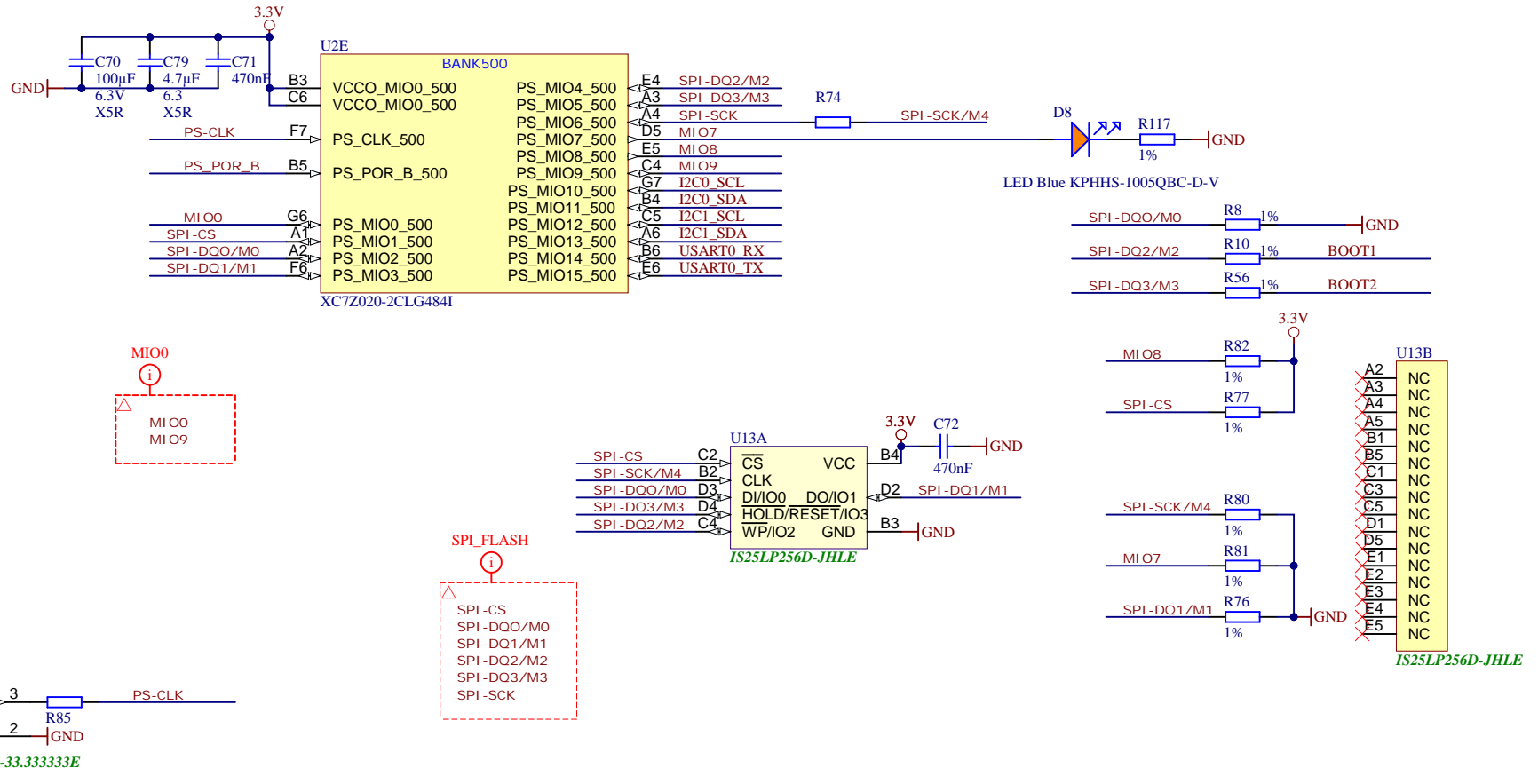
BTE-060-01-L-D-A-K-TR



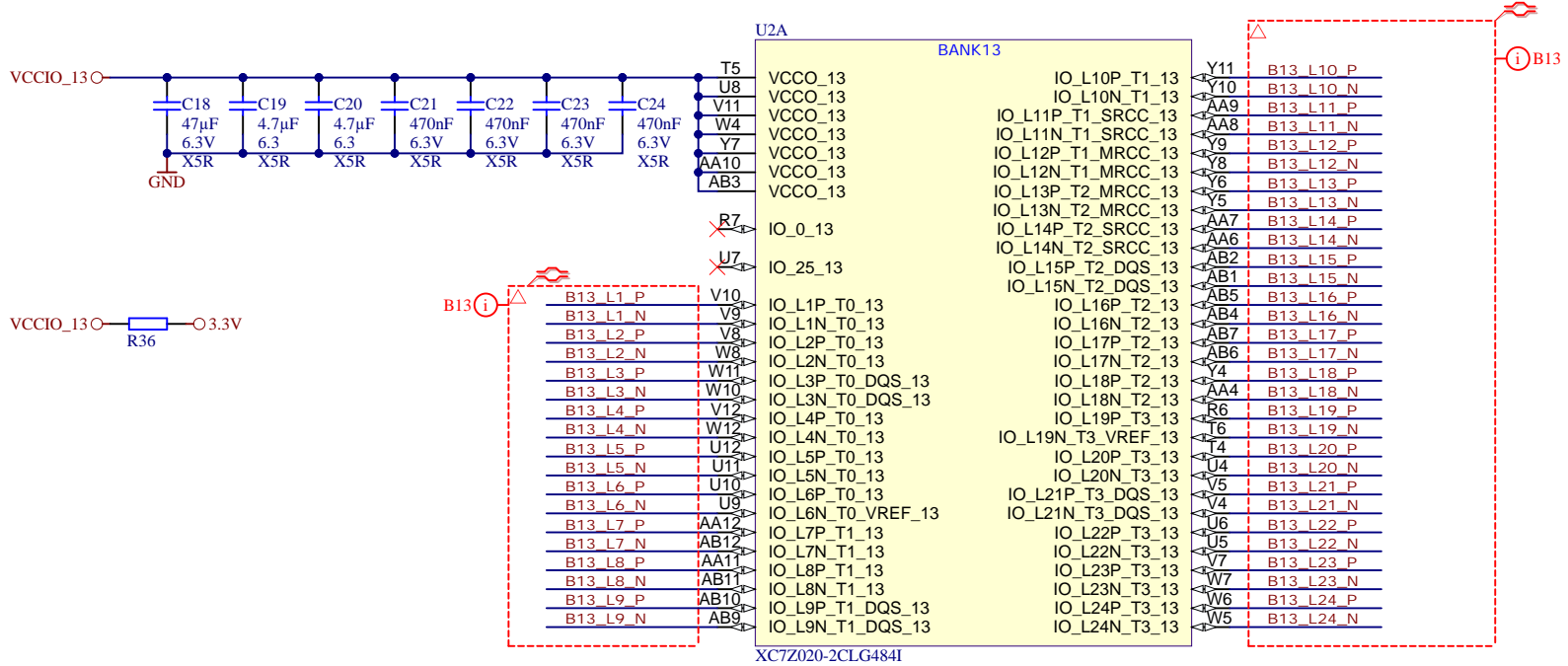
Title: TE0729 - Interface		
A4	Number: TE0729 62I65MM	Rev. 02
Date: 2016-05-02	Copyright: Trenz Electronic GmbH / TT	Page3 of 21
Filename: Interface.SchDoc		



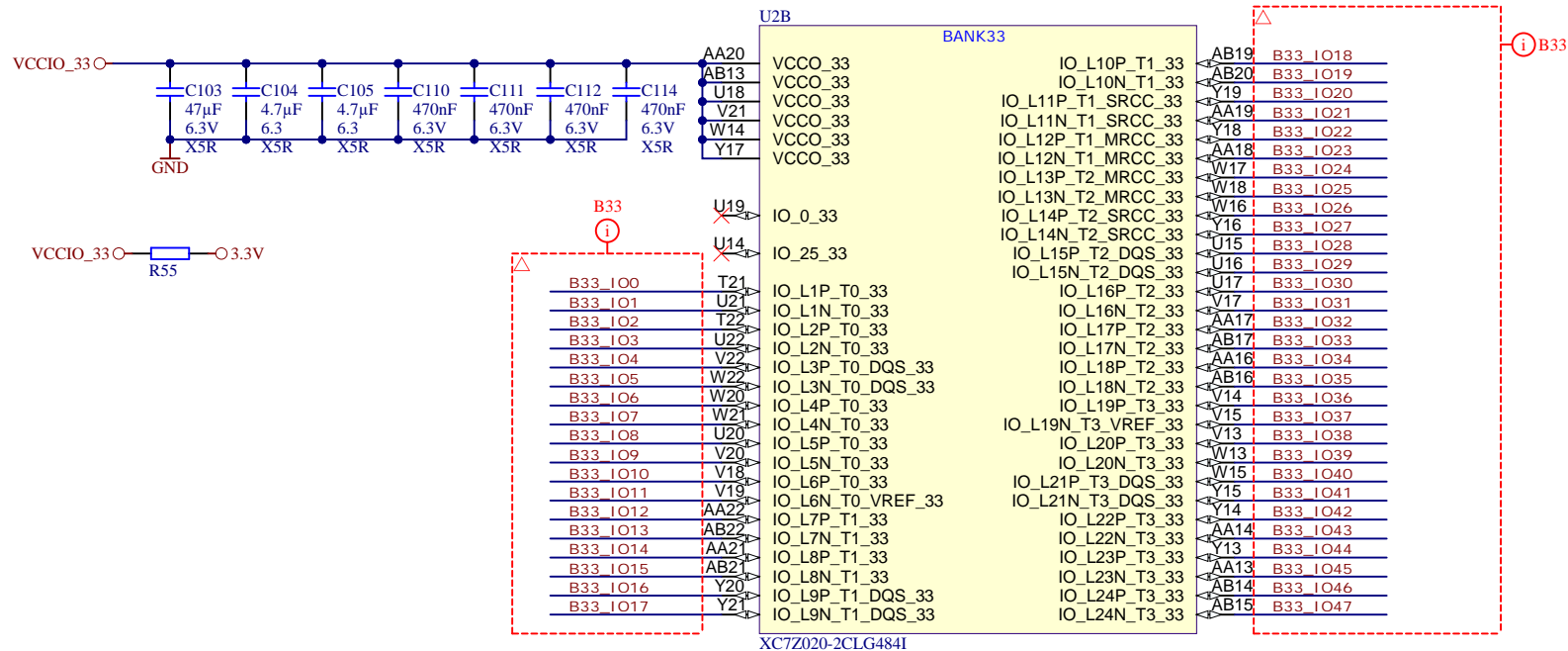
Title: TE0729 - ZYNQ_MIO_B501		
A4	Number: TE0729 62I65MM	Rev. 02
Date: 2016-05-02	Copyright: Trenz Electronic GmbH / TT	Page4 of 21
Filename: MIO_B501.SchDoc		



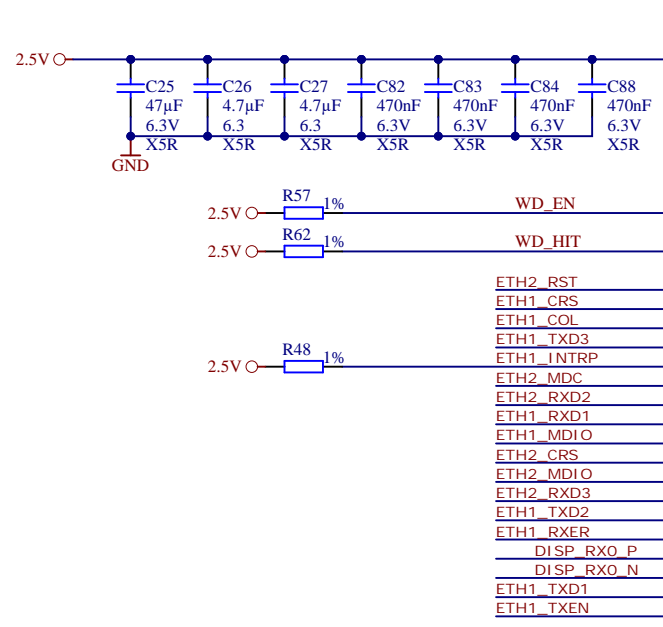

Title: TE0729 - ZYNQ_MIO_B500		
A4	Number: TE0729 62I65MM	Rev. 02
Date: 2016-05-02	Copyright: Trenz Electronic GmbH / TT	Page5 of 21
Filename: MIO_B500.SchDoc		



	Title: TE0729 - ZYNQ_B13	
	A4	Number: TE0729 62I65MM
	Date: 2016-05-02	Copyright: Trenz Electronic GmbH / TT
	Rev. 02	Page 6 of 21
Filename: B13.SchDoc		



Title: TE0729 - ZYNQ_B33		
A4	Number: TE0729 62I65MM	Rev. 02
Date: 2016-05-02	Copyright: Trenz Electronic GmbH / TT	Page 7 of 21
Filename: B33.SchDoc		



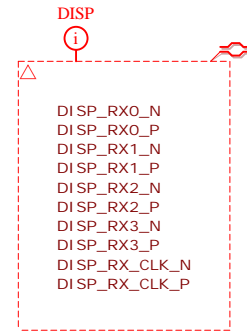

U2C

BANK34

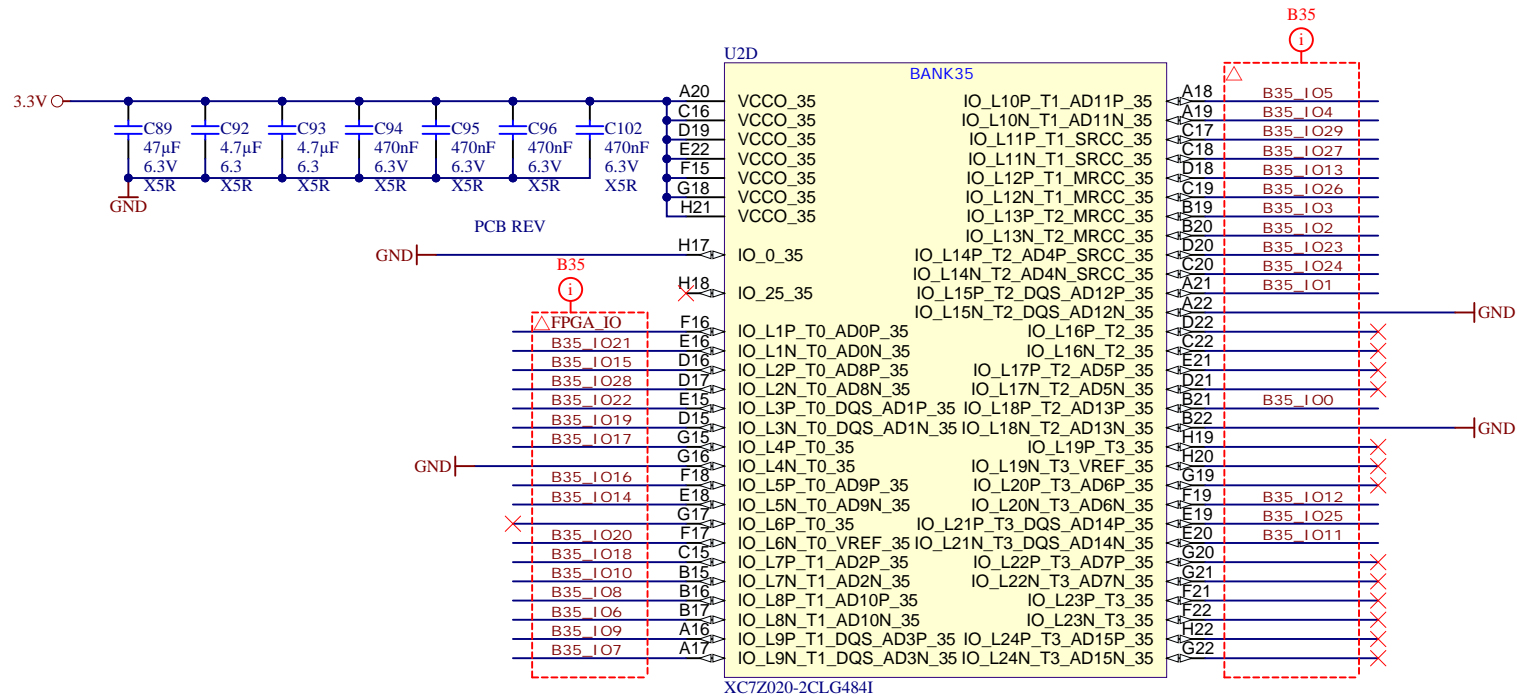
VCC0_34	IO_L10P_T1_34
VCC0_34	IO_L10N_T1_34
VCC0_34	IO_L11P_T1_SRCC_34
VCC0_34	IO_L11N_T1_SRCC_34
VCC0_34	IO_L12P_T1_MRCC_34
VCC0_34	IO_L12N_T1_MRCC_34
VCC0_34	IO_L13P_T2_MRCC_34
VCC0_34	IO_L13N_T2_MRCC_34
IO_0_34	IO_L14P_T2_SRCC_34
IO_25_34	IO_L14N_T2_SRCC_34
	IO_L15P_T2_DQS_34
	IO_L15N_T2_DQS_34
IO_L1P_T0_34	IO_L16P_T2_34
IO_L1N_T0_34	IO_L16N_T2_34
IO_L2P_T0_34	IO_L17P_T2_34
IO_L2N_T0_34	IO_L17N_T2_34
IO_L3P_T0_DQS_PUDC_B_34	IO_L18P_T2_34
IO_L3N_T0_DQS_34	IO_L18N_T2_34
IO_L4P_T0_34	IO_L19P_T3_34
IO_L4N_T0_34	IO_L19N_T3_VREF_34
IO_L5P_T0_34	IO_L20P_T3_34
IO_L5N_T0_34	IO_L20N_T3_34
IO_L6P_T0_34	IO_L21P_T3_DQS_34
IO_L6N_T0_VREF_34	IO_L21N_T3_DQS_34
IO_L7P_T1_34	IO_L22P_T3_34
IO_L7N_T1_34	IO_L22N_T3_34
IO_L8P_T1_34	IO_L23P_T3_34
IO_L8N_T1_34	IO_L23N_T3_34
IO_L9P_T1_DQS_34	IO_L24P_T3_34
IO_L9N_T1_DQS_34	IO_L24N_T3_34

XC7Z020-2CLG484I

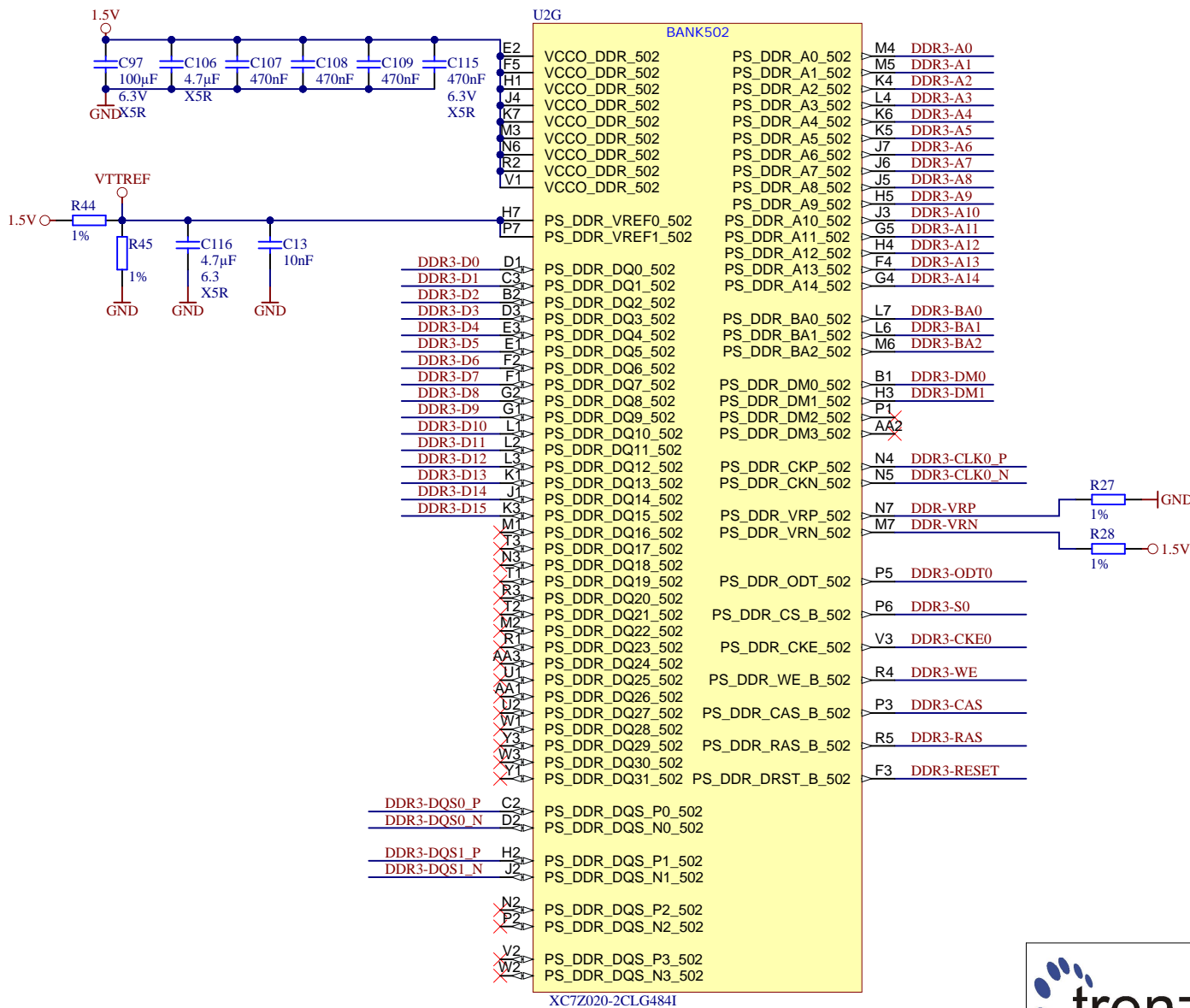
L21	DISP_RX1_P
L22	DISP_RX1_N
K19	ETH1_TXC
K20	ETH1_TXDO
L18	ETH1_RXC
L19	ETH1_RXDV
M19	ETH2_RXC
M20	ETH1_RXDO
N19	ETH2_TXC
N20	ETH1_RXD2
M21	DISP_RX2_P
M22	DISP_RX2_N
N22	DISP_RX3_P
P22	DISP_RX3_N
R20	DISP_RX_CLK_P
R21	DISP_RX_CLK_N
P20	ETH1_RXD3
P21	ETH1_MDC
N15	ETH2_RXD1
P15	ETH1_RST
P17	ETH2_COL
P18	ETH2_INTRP
T16	ETH2_TXD0
T17	ETH2_TXEN
R19	ETH2_TXD3
T19	ETH2_TXD1
R18	ETH2_RXER
T18	ETH2_TXD2
P16	ETH2_RXD0
R16	ETH2_RXDV

Title: TE0729 - ZYNQ_B34		
A4	Number: TE0729 62I65MM	Rev. 02
Date: 2016-05-02	Copyright: Trenz Electronic GmbH / TT	Page8 of 21
Filename: B34.SchDoc		



Title: TE0729 - ZYNQ_B35		
A4	Number: TE0729 62I65MM	Rev. 02
Date: 2016-05-02	Copyright: Trenz Electronic GmbH / TT	
Page 9 of 21		Filename: B35.SchDoc

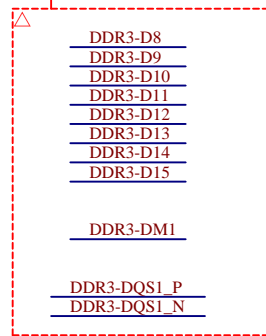


LANE1

ADDR-CTRL

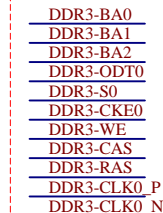
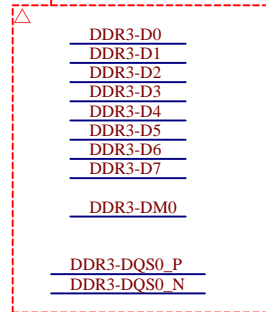
(i)

(i)



LANE0

(i)



Title:

TE0729 - ZYNQ_PS_DDR

A4

Number: TE0729
62I65MMRev.
02

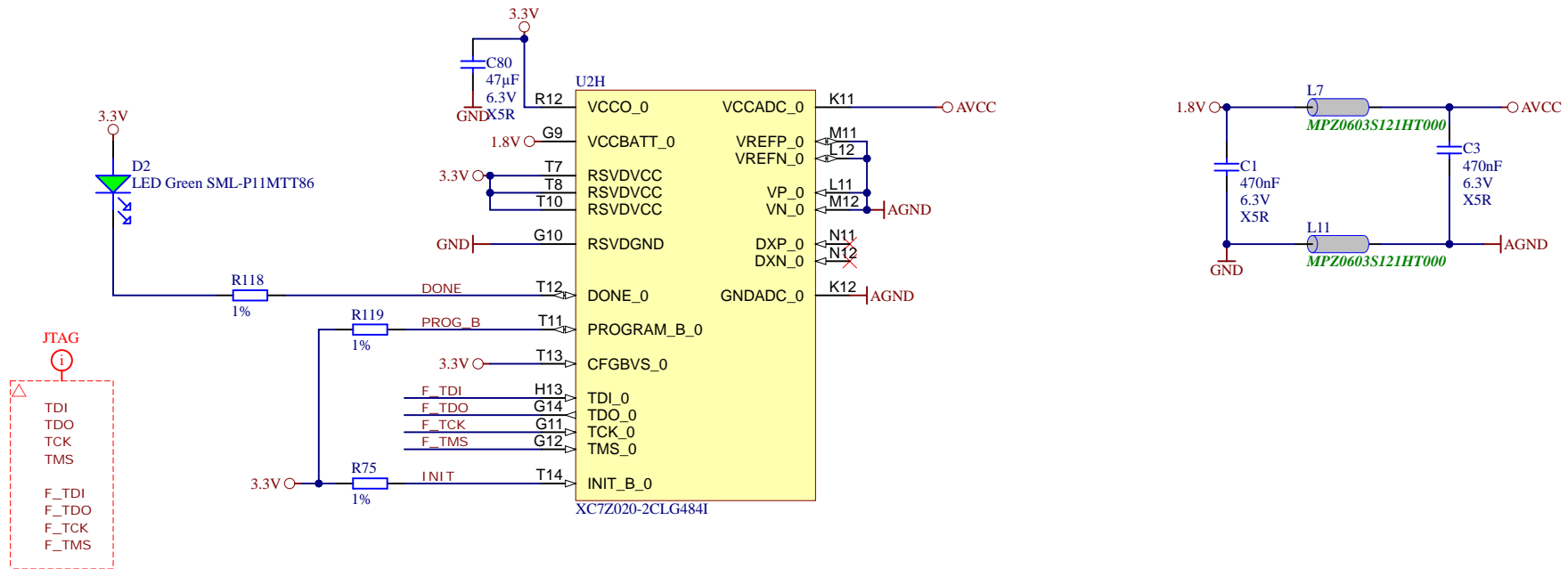
Date: 2016-05-02

Copyright: Trenz Electronic GmbH / TT

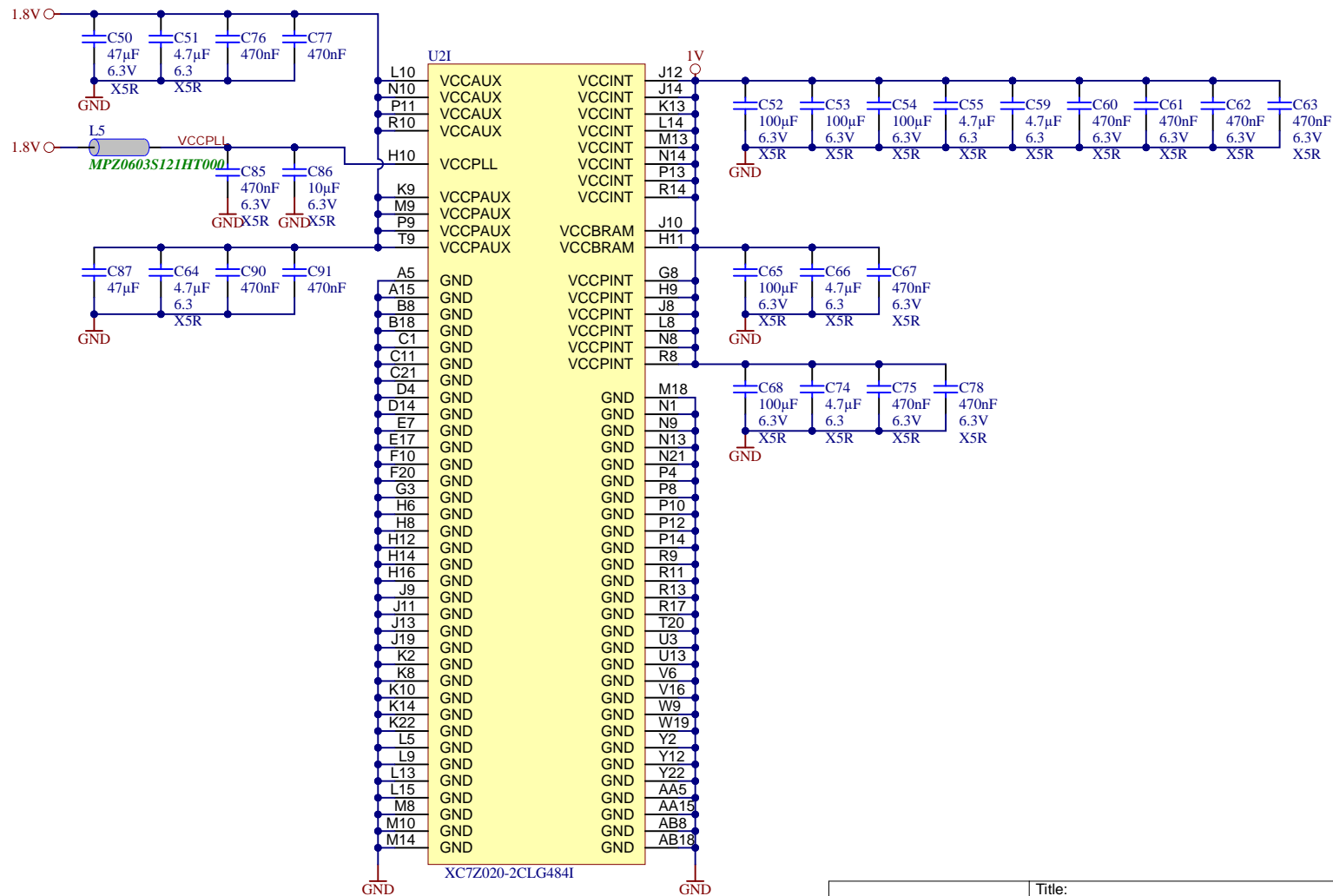
Page 10 of 21


Filename:

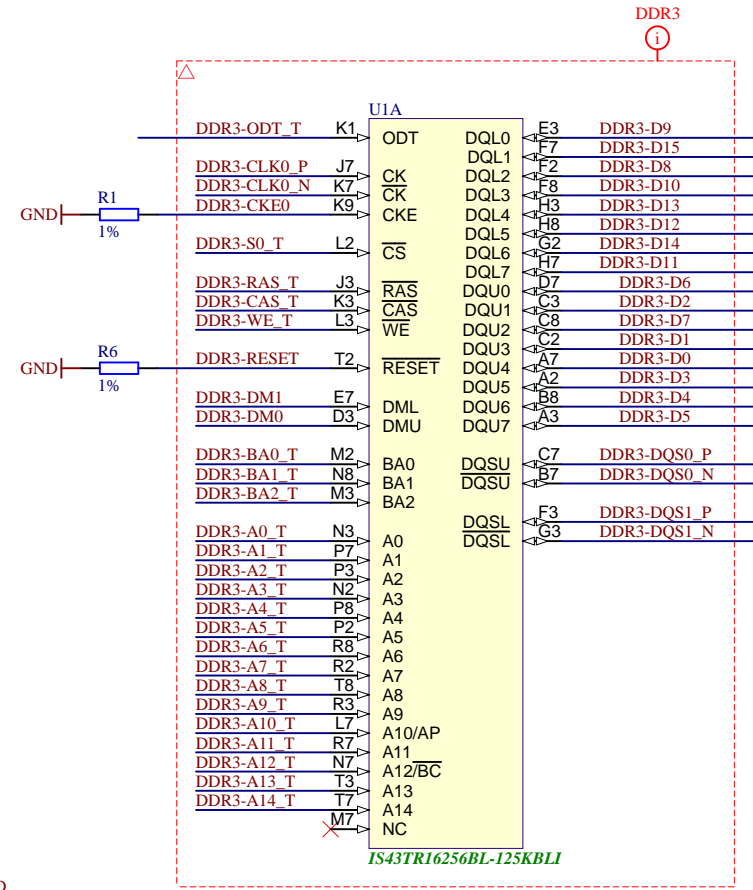
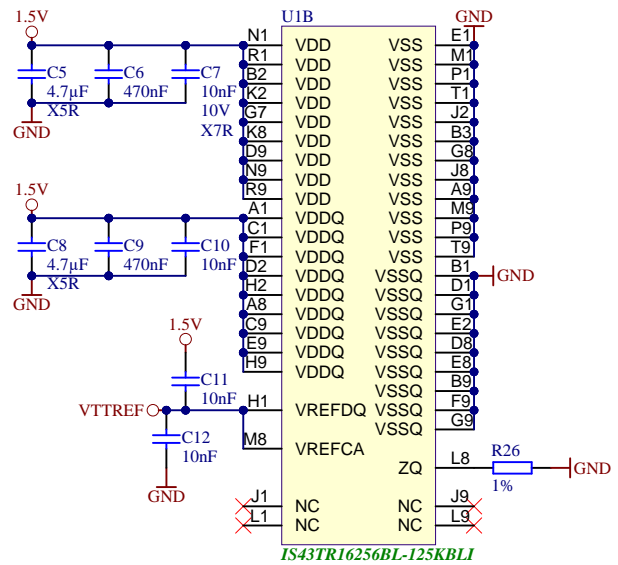
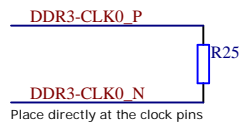
PS-DDR.SchDoc



	Title: TE0729 - ZYNQ_MISC		
	A4	Number: TE0729 62I65MM	Rev. 02
	Date: 2016-05-02	Copyright: Trenz Electronic GmbH / TT	Page 11 of 21
	Filename: ZYNQ_MISC.SchDoc		



		Title: TE0729 - ZYNQ_Power	
		A4	Number: TE0729 62I65MM
Date: 2016-05-02		Copyright: Trenz Electronic GmbH / TT	
Filename: ZYNC_POWER.SchDoc		Page 12 of 21	



DDR3-ODT0	R68	DDR3-ODT_T
DDR3-S0	R102	DDR3-S0_T
DDR3-RAS	R103	DDR3-RAS_T
DDR3-CAS	R4	DDR3-CAS_T
DDR3-WE	R5	DDR3-WE_T
DDR3-BA0	R7	DDR3-BA0_T
DDR3-BA1	R97	DDR3-BA1_T
DDR3-BA2	R9	DDR3-BA2_T
DDR3-A0	R96	DDR3-A0_T
DDR3-A1	R106	DDR3-A1_T
DDR3-A2	R12	DDR3-A2_T
DDR3-A3	R107	DDR3-A3_T
DDR3-A4	R14	DDR3-A4_T
DDR3-A5	R110	DDR3-A5_T
DDR3-A6	R16	DDR3-A6_T
DDR3-A7	R17	DDR3-A7_T
DDR3-A8	R111	DDR3-A8_T
DDR3-A9	R19	DDR3-A9_T
DDR3-A10	R20	DDR3-A10_T
DDR3-A11	R21	DDR3-A11_T
DDR3-A12	R22	DDR3-A12_T
DDR3-A13	R23	DDR3-A13_T
DDR3-A14	R24	DDR3-A14_T

S40-15

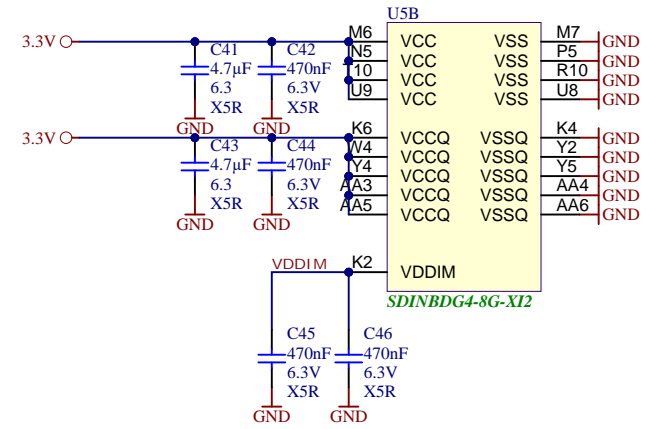
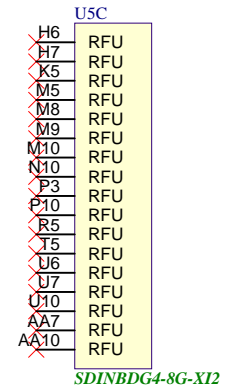
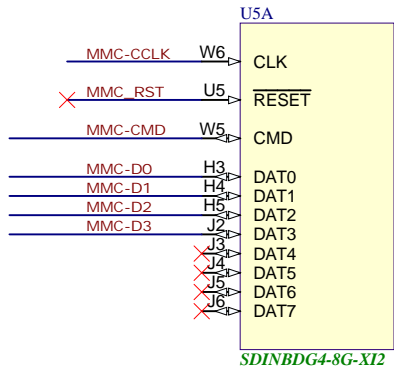
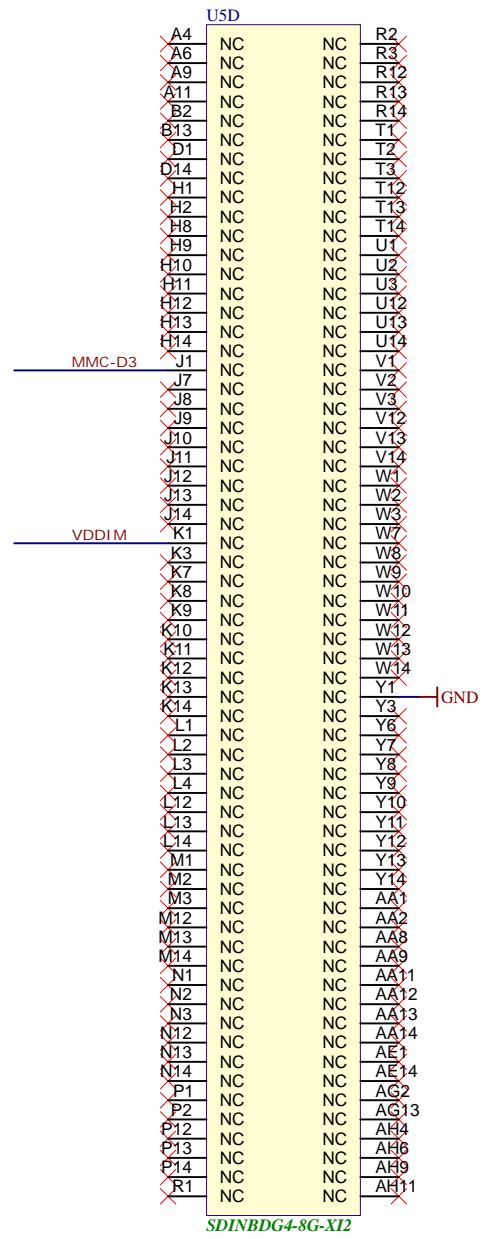
DDR3-D9	DDR3-S0_T
DDR3-D15	DDR3-RAS_T
DDR3-D8	DDR3-CAS_T
DDR3-D11	DDR3-WE_T
DDR3-D14	DDR3-BA0_T
DDR3-D12	DDR3-BA1_T
DDR3-D10	DDR3-BA2_T
DDR3-D13	DDR3-A0_T
DDR3-D7	DDR3-A1_T
DDR3-D1	DDR3-A2_T
DDR3-D4	DDR3-A3_T
DDR3-D0	DDR3-A4_T
DDR3-D6	DDR3-A5_T
DDR3-D3	DDR3-A6_T
DDR3-D5	DDR3-A7_T
DDR3-D2	DDR3-A8_T
	DDR3-A9_T
	DDR3-A10_T
	DDR3-A11_T
	DDR3-A12_T
	DDR3-A13_T
	DDR3-A14_T
	DDR3-ODT_T
DDR3-A0	DDR3-ODT0
DDR3-A1	DDR3-CKE0
DDR3-A2	DDR3-S0
DDR3-A3	DDR3-RAS
DDR3-A4	DDR3-CAS
DDR3-A5	DDR3-WE
DDR3-A6	DDR3-RESET
DDR3-A7	DDR3-DM0
DDR3-A8	DDR3-DM1
DDR3-A9	DDR3-BA0
DDR3-A10	DDR3-BA1
DDR3-A11	DDR3-BA2
DDR3-A12	
DDR3-A13	
DDR3-A14	

D80-15

DDR3-CLK0_P
DDR3-CLK0_N
DDR3-DQS0_P
DDR3-DQS0_N
DDR3-DQS1_P
DDR3-DQS1_N



Title: TE0729 - DDR3		
A4	Number: TE0729 62I65MM	Rev. 02
Date: 2016-05-02	Copyright: Trenz Electronic GmbH / TT	Page 13 of 21
Filename: DDR-RAM.SchDoc		



Title: TE0729 - eMMC		
A4	Number: TE0729 62I65MM	Rev. 02
Date: 2016-05-02	Copyright: Trenz Electronic GmbH / TT	Page 14 of 21
Filename: eMMC.SchDoc		

A

B

C

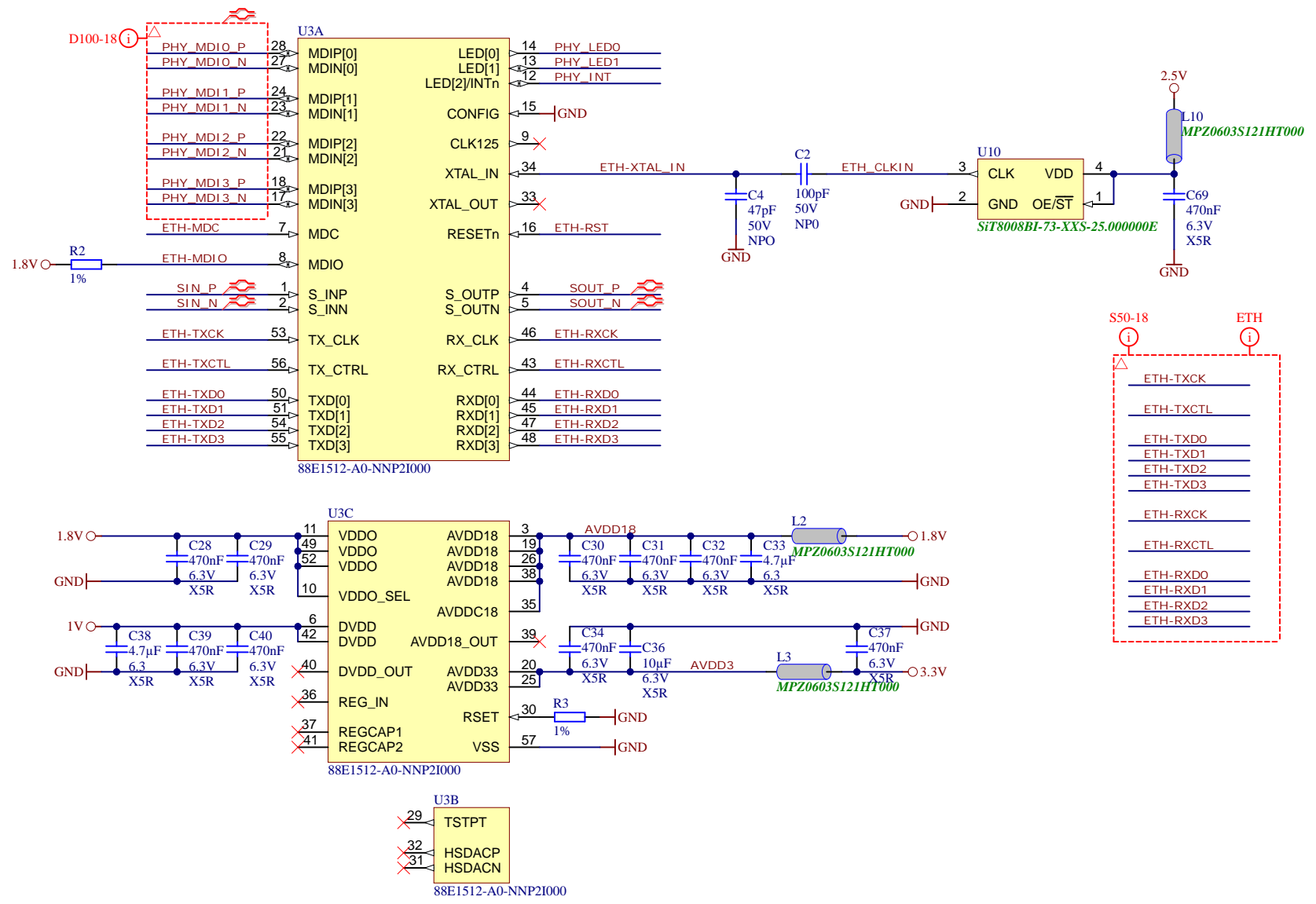
D


A

B

C

D



			Title: TE0729 - ETH_PHY	
			A4	Number: TE0729 62165MM
Date: 2016-05-02		Copyright: Trenz Electronic GmbH / TT		Page 15 of 21
Filename: ETH-PHY.SchDoc				

1

2

3

4

A

A

B

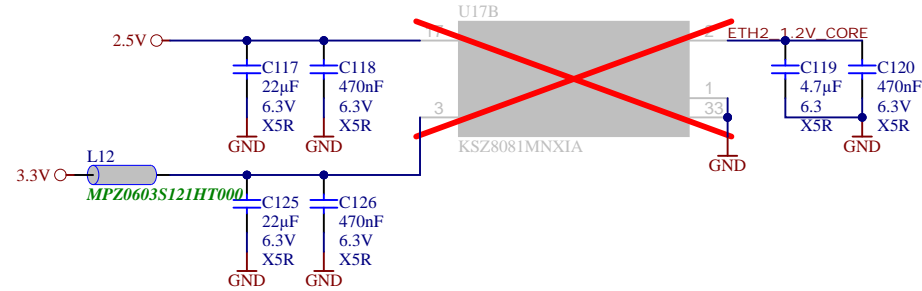
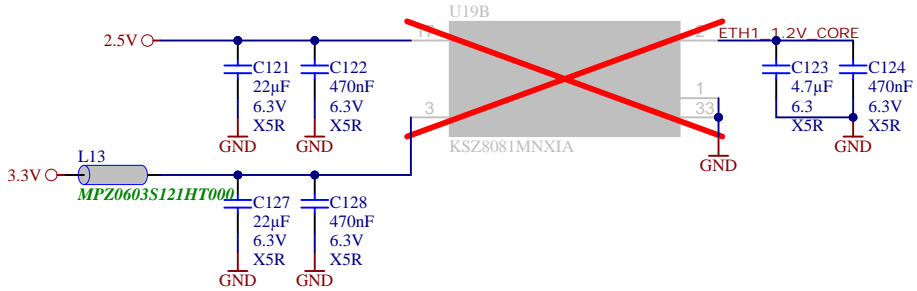
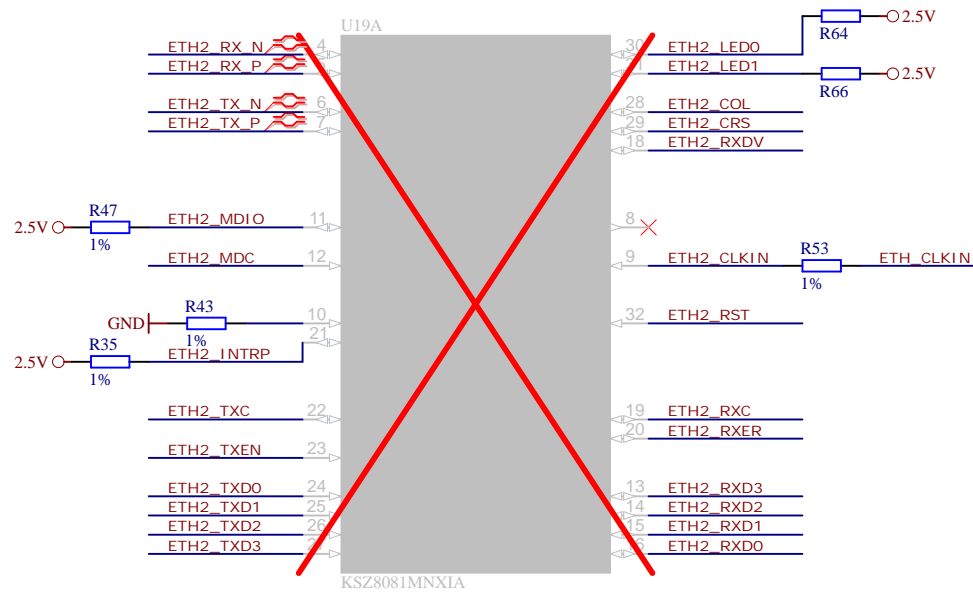
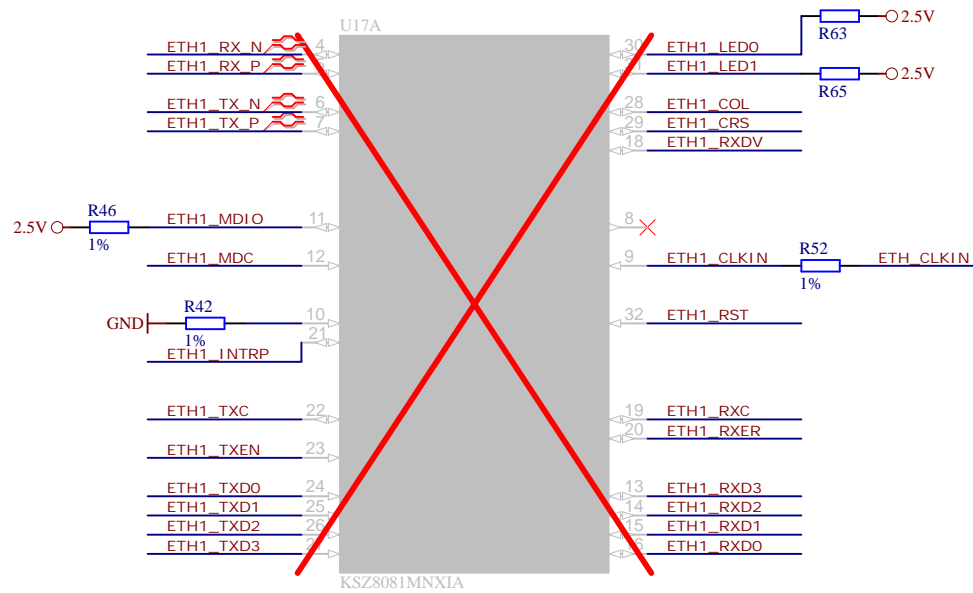
B

C

C

D

D



Title: TE0729 - IND_ETH_PHY		
A4	Number: TE0729 62165MM	Rev. 02
Date: 2016-05-02	Copyright: Trenz Electronic GmbH / TT	Page 16 of 21
Filename: IND_ETH-PHY.SchDoc		

1

2

3

4

1

2

3

4

A

A

B

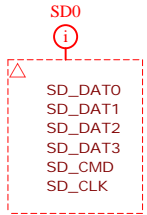
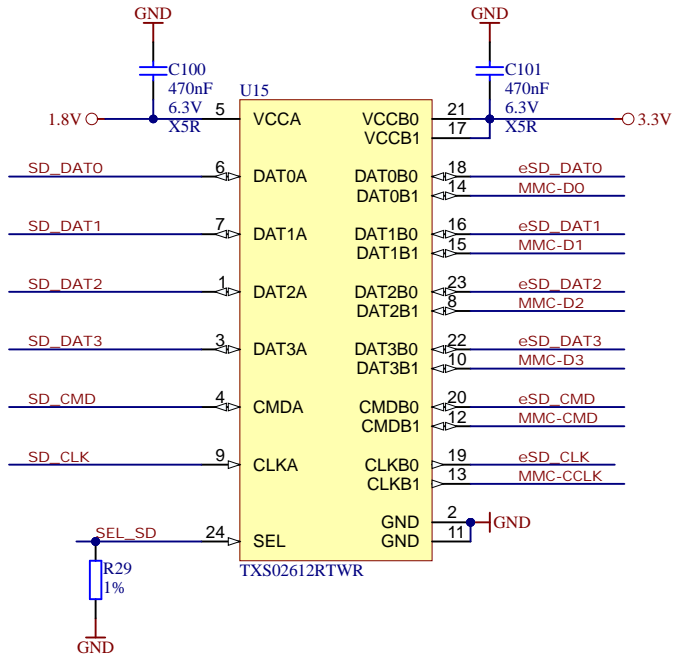
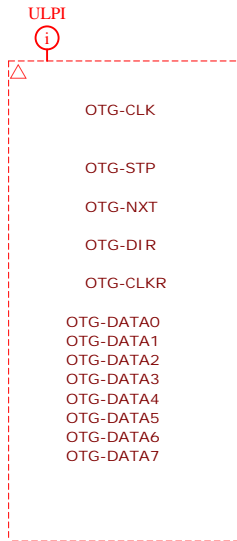
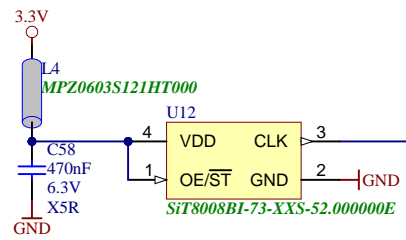
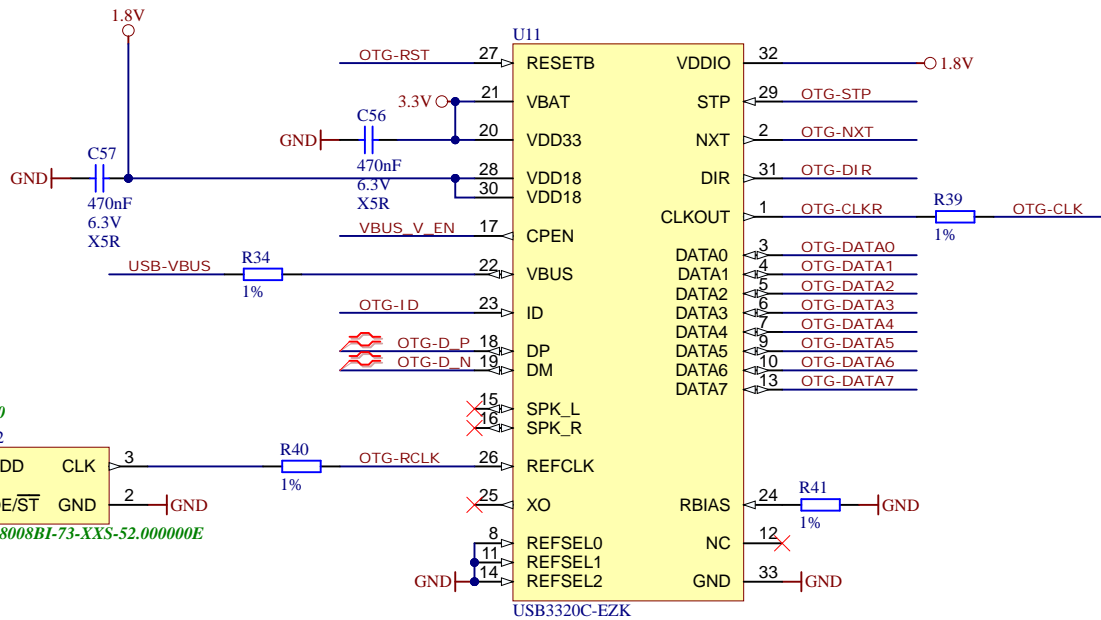
B

C

C

D

D



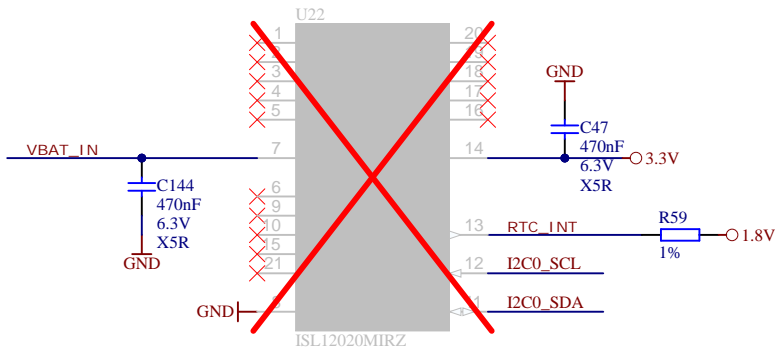
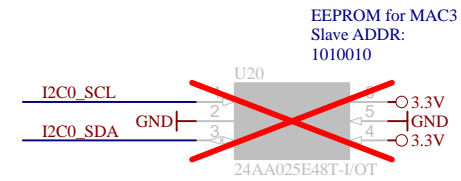
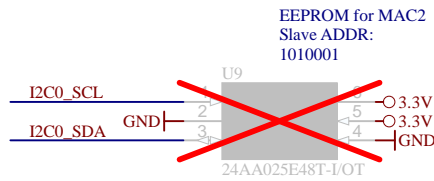
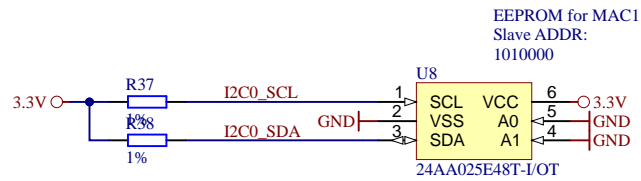
Title: TE0729 - USB_PHY		
A4	Number: TE0729 62I65MM	Rev. 02
Date: 2014-03-05	Copyright: Trenz Electronic GmbH / TT	Page 17 of 21
Filename: USB-PHY.SchDoc		

1

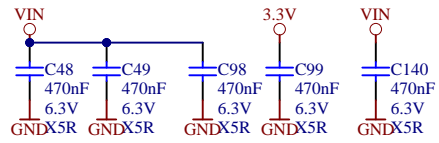
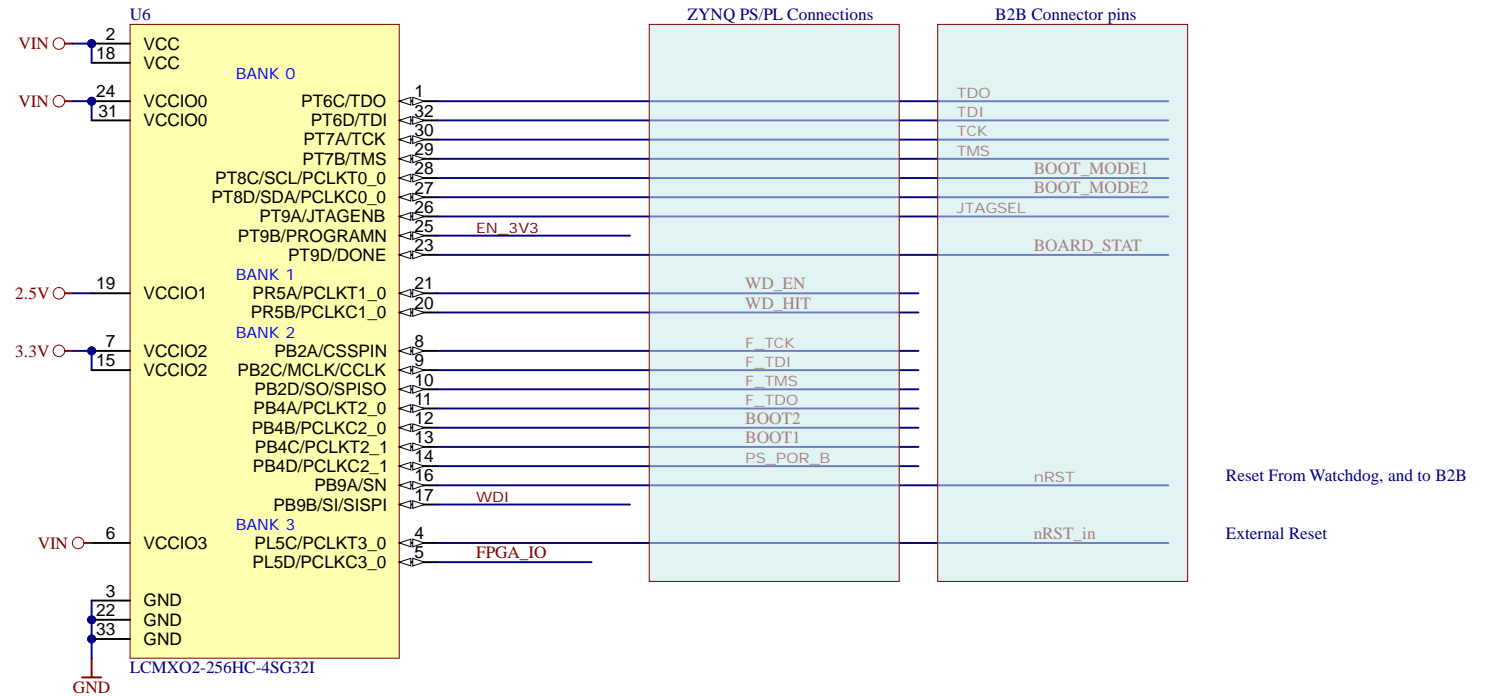
2


3

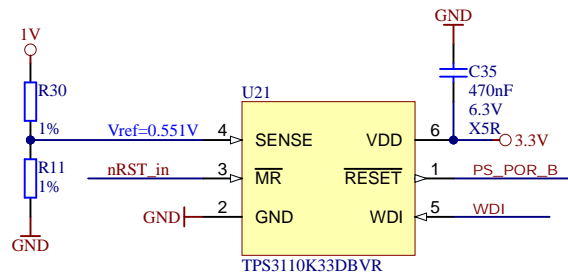
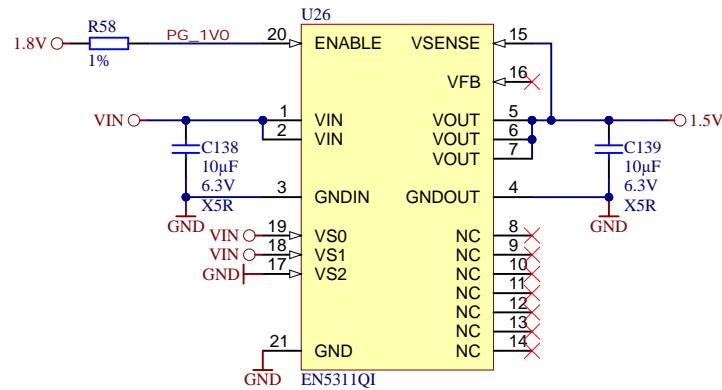
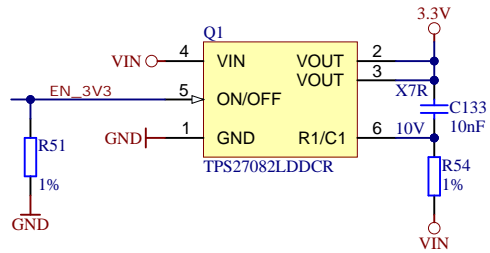
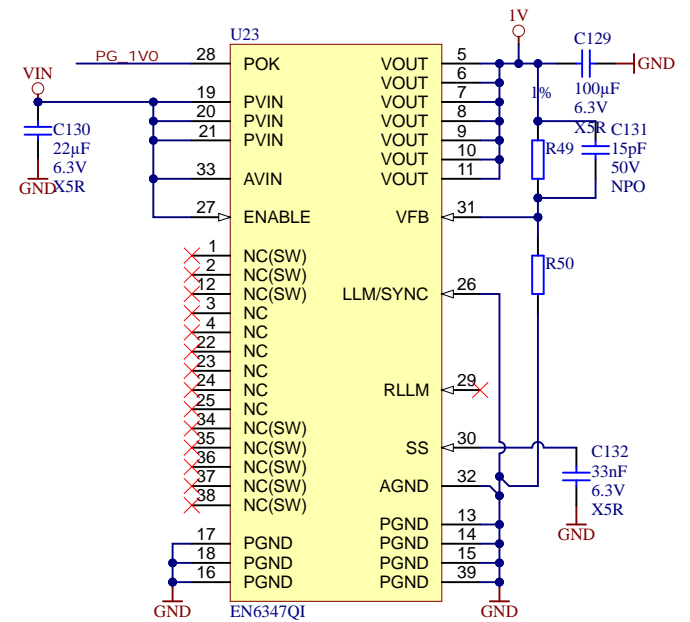
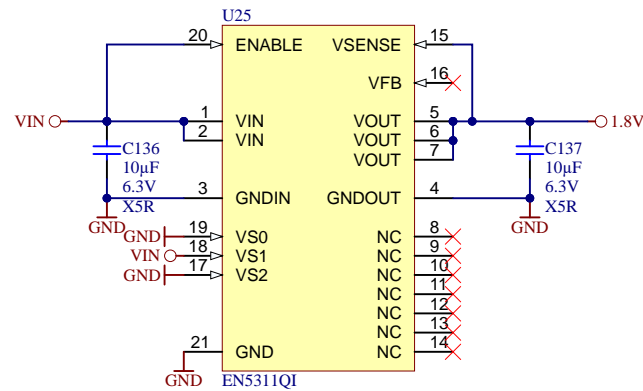
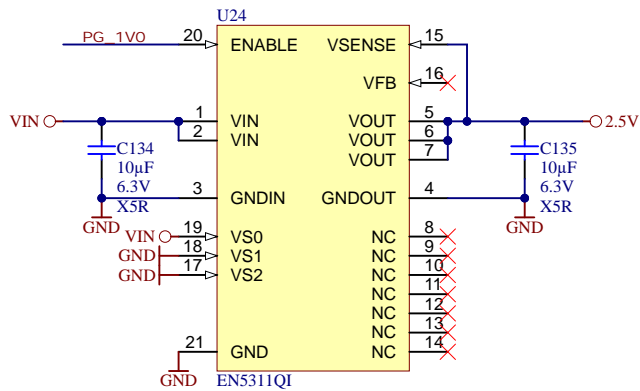
4




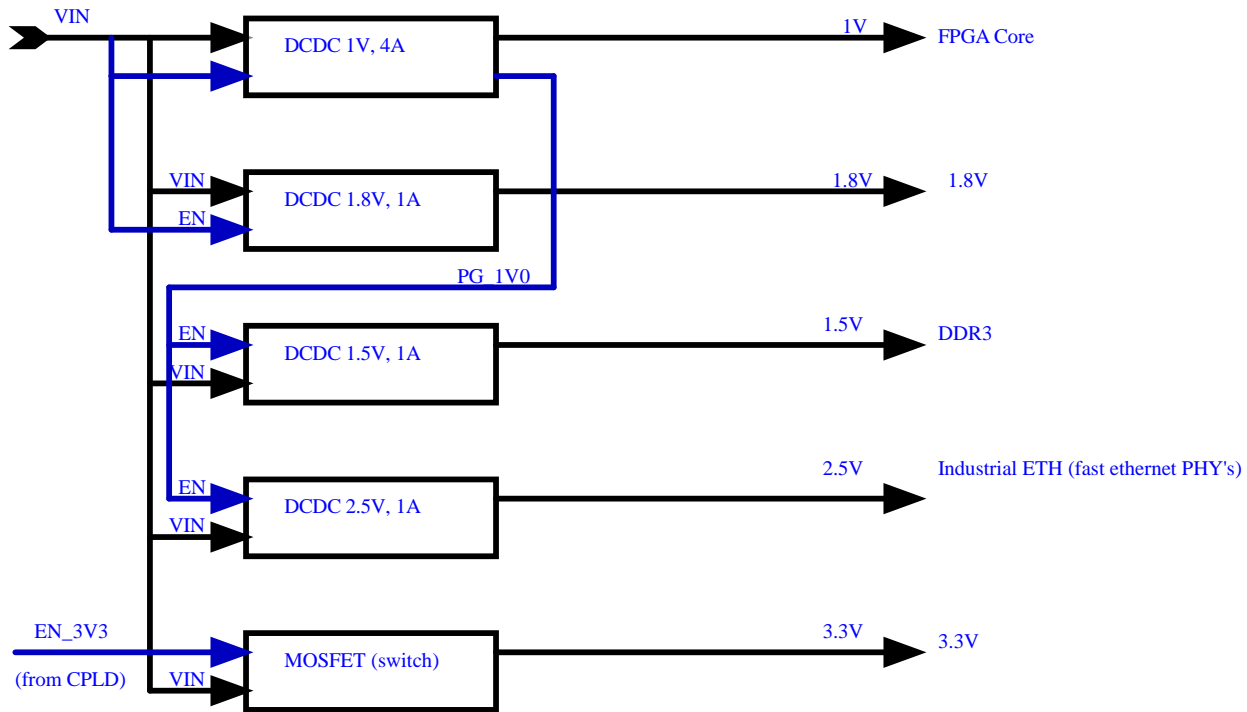
	Title: TE0729 - RTC		
	A4	Number: TE0729 62I65MM	Rev. 02
	Date: 2014-03-05	Copyright: Trenz Electronic GmbH / TT	Page 18 of 21
	Filename: SENSOR-RTC.SchDoc		




			Title: TE0729 - CPLD	
			A4	Number: TE0729 62I65MM
Date: 2016-05-02		Copyright: Trenz Electronic GmbH / TT		Page 19 of 21
Filename: CPLD.SchDoc				



		Title: TE0729 - Power	
		A4	Number: TE0729 62165MM
Date: 2016-05-02		Copyright: Trenz Electronic GmbH / TT	
Filename: Power.SchDoc		Page 20 of 21	



		Title: TE0729 - Power overview	
		A4	Number: TE0729 62165MM
Date: 2016-05-02		Copyright: Trenz Electronic GmbH	
Page 21		of 21	
Filename: PowerOverview.SchDoc			