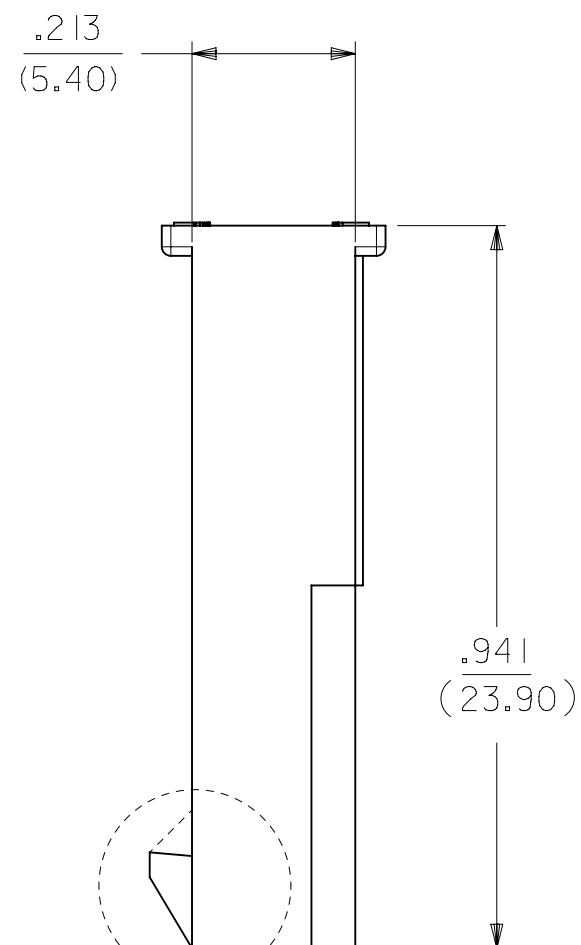
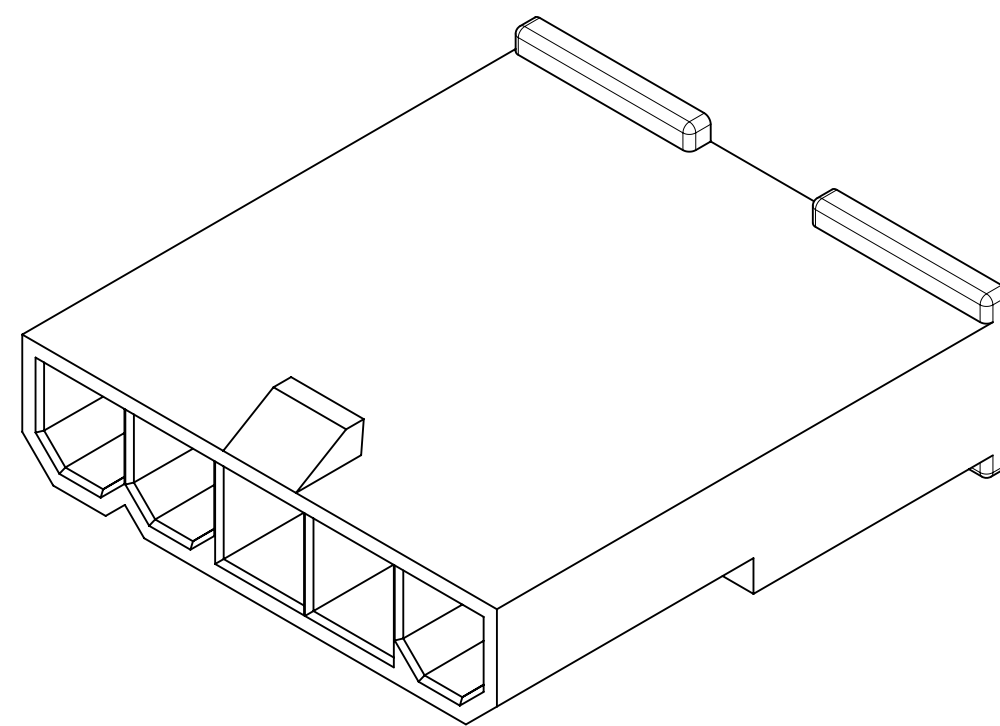


5 CKT WITHOUT
MOUNTING EARS SHOWN



LOCK OPTION:



POSITIVE LOCK PASSIVE LOCK

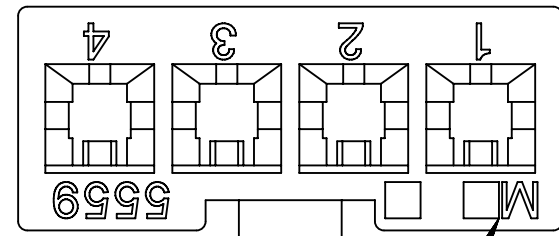
CKT SIZE	DIM A	DIM B	DIM C	DIM D
2	.165 (4.20)	.378 (9.60)	.394 (10.00)	.591 (15.00)
4	.496 (12.60)	.709 (18.00)	.724 (18.40)	.921 (23.40)
5	.661 (16.80)	.874 (22.20)	.890 (22.60)	1.087 (27.60)
6	.827 (21.00)	1.039 (26.40)	1.055 (26.80)	1.252 (31.80)
7	.992 (25.20)	1.205 (30.60)	1.220 (31.00)	1.417 (36.00)
8	1.157 (29.40)	1.370 (34.80)	1.386 (35.20)	1.583 (40.20)
9	1.323 (33.60)	1.535 (39.00)	1.551 (39.40)	1.748 (44.40)
10	1.488 (37.80)	1.701 (43.20)	1.717 (43.60)	1.913 (48.60)
11	1.654 (42.00)	1.866 (47.40)	1.882 (47.80)	2.079 (52.80)
12	1.819 (46.20)	2.031 (51.60)	2.047 (52.00)	2.244 (57.00)

NOTES:

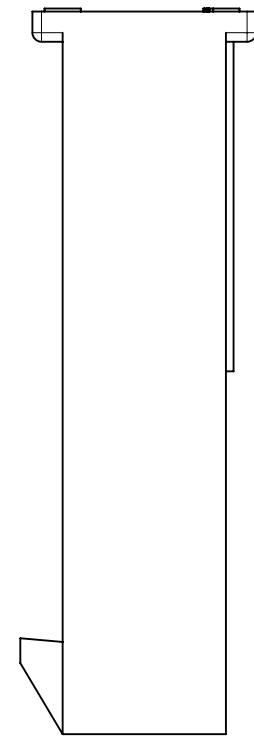
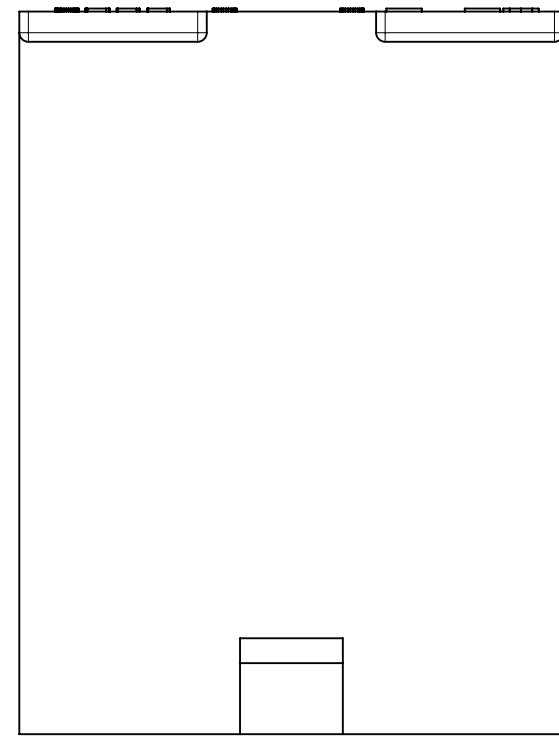
- MATERIAL: BLANK=NYLON 6/6, UL 94V-2, COLOR: NATURAL.
210=NYLON 6/6, UL 94V-0, COLOR: NATURAL.
400=NYLON 6/6, UL 94 V-0, COLOR: BLACK.
- FINISH: NOTE APPLICABLE
- PRODUCT SPECIFICATION: PS-5556-001
- PACKAGING SPECIFICATION: BULK PER PK-5559-003
- THIS PART MATES WITH RECEPTACLE NO. 5557.
- THIS PART IS FOR USE WITH MOLEX MALE TERMINAL NO. 5558-*
- PANEL MOUNT VERSION IS FOR USE WITH .031/.079(0.80/2.00) THICK PANELS.
- PANEL SHOULD BE PUNCHED IN THE DIRECTION OF CONNECTOR INSERTION.
- FACTORY ID MAY BE LOCATED ON EARS.
- THIS PART CONFORMS TO CLASS B REQUIREMENTS OF COSMETIC SPECIFICATION PS-45499-002.
- PART IS NOT DESIGNED FOR CURRENT SHARING.
- PARTS ARE NOT TO BE MATED OR UNMATED WHILE CIRCUITS ARE LIVE.
- WIRES ARE TO BE DRESSED IN SUCH A MANNER TO ALLOW THE TERMINALS TO FLOAT FREELY IN THE POCKET.

SYMBOLS		THIS DRAWING CONTAINS INFORMATION THAT IS PROPRIETARY TO MOLEX ELECTRONIC TECHNOLOGIES, LLC AND SHOULD NOT BE USED WITHOUT WRITTEN PERMISSION		CURRENT REV DESC: INITIAL REVISION		molex	
DIMENSION UNITS		SCALE		EC NO: 173061		MINI-FIT JR. SERIES PLUG (SINGLE ROW)	
∇ = 0	IN/MM	1:1		DRWN: AZAHIROVIC 2018/02/26		PRODUCT CUSTOMER DRAWING	
∇ = 0	GENERAL TOLERANCES (UNLESS SPECIFIED)		CHK'D: JBELL 2018/04/06		DOCUMENT NUMBER		DOC TYPE
∇ = 0			APPR: FSMITH 2018/04/13		55590002-SD		DOC PART
S = 0	4 PLACES	±	±	INITIAL REVISION:		PSD	000
∇ = 0	3 PLACES	±	± 0.01	DRWN: KSS 1989/02/19		A	
∇ = 0	2 PLACES	± 0.25	± 0.015	APPR: FSMITH 2011/03/10		SHEET NUMBER	
∇ = 0	1 PLACE	± 0.38	±	THIRD ANGLE PROJECTION		MATERIAL NUMBER	
∇ = 0	0 PLACES	±	±	DRAWING		CUSTOMER	
∇ = 0	ANGULAR TOL	± 0.5 °		SERIES		SEE CHART	
∇ = 0	DRAFT WHERE APPLICABLE MUST REMAIN WITHIN DIMENSIONS		C-SIZE		GENERAL MARKET		1 OF 3

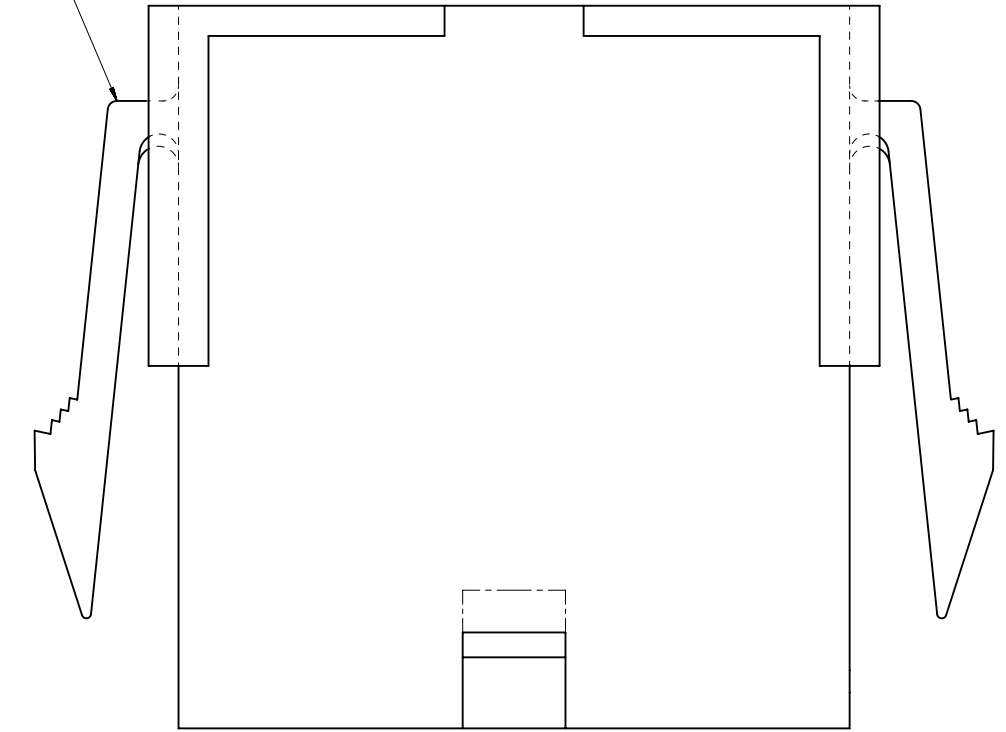
THIS DRAWING REPLACES DRAWING SD-5559-NLP+



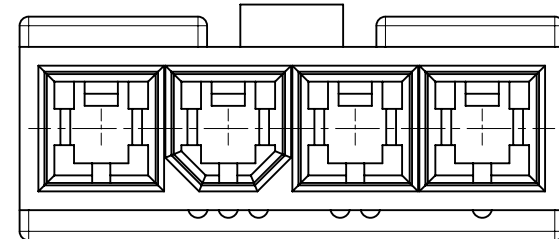
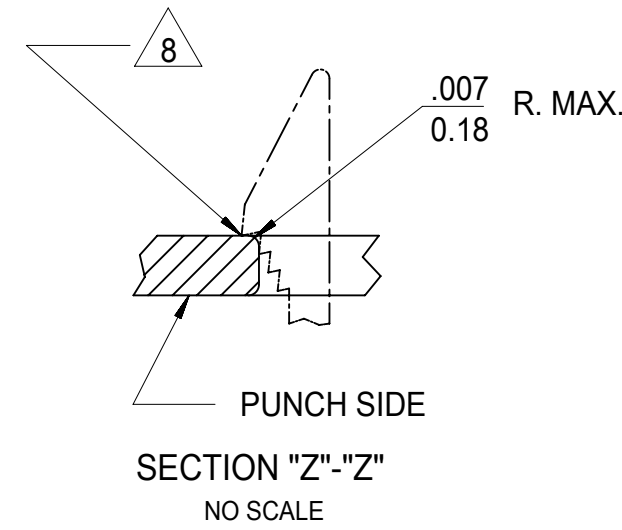
FACTORY ID
SEE NOTE 9



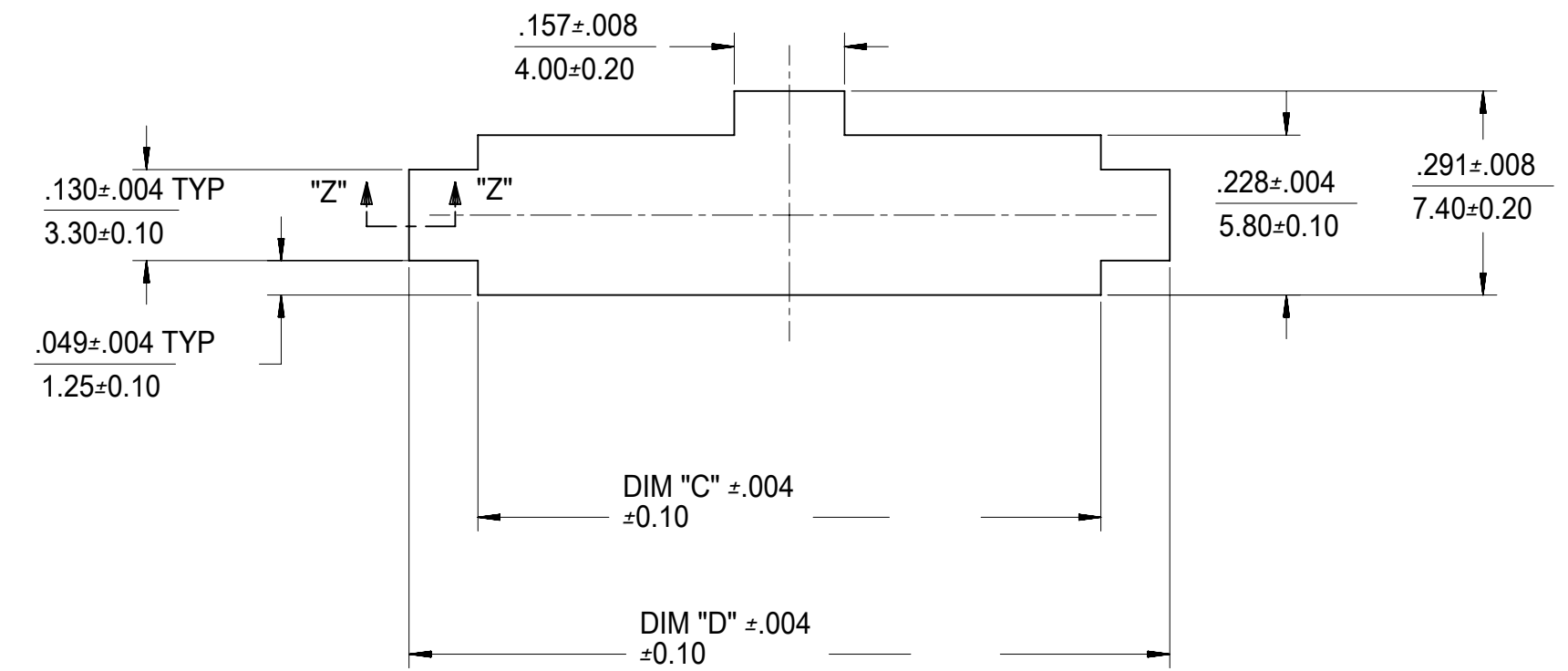
SEE NOTE 9



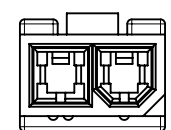
WITH MOUNTING EARS



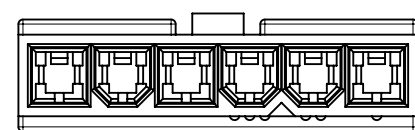
4 CKT WITHOUT
MOUNTING EARS SHOWN



RECOMMENDED PANEL CUT-OUT
(SEE NOTE 7 & 8)



2 CIRCUIT



6 CIRCUIT

POLARIZATION

SYMBOLS	THIS DRAWING CONTAINS INFORMATION THAT IS PROPRIETARY TO MOLEX ELECTRONIC TECHNOLOGIES, LLC AND SHOULD NOT BE USED WITHOUT WRITTEN PERMISSION		CURRENT REV DESC: INITIAL REVISION					
	DIMENSION UNITS	SCALE						
$\nabla = 0$	IN/MM	1:1			MINI-FIT JR. SERIES PLUG (SINGLE ROW)			
$\nabla = 0$	GENERAL TOLERANCES (UNLESS SPECIFIED)							
$\nabla = 0$		MM	INCH			PRODUCT CUSTOMER DRAWING		
$S = 0$	4 PLACES	±	±					
$\nabla = 0$	3 PLACES	±	± 0.01			DOCUMENT NUMBER: 55590002-SD DOC TYPE: PSD DOC PART: 000 REVISION: A		
$\nabla = 0$	2 PLACES	± 0.25	± 0.015					
$\nabla = 0$	1 PLACE	± 0.38	±			MATERIAL NUMBER: SEE CHART CUSTOMER: GENERAL MARKET SHEET NUMBER: 2 OF 3		
$\nabla = 0$	0 PLACES	±	±					
$\nabla = 0$	ANGULAR TOL	± 0.5°			EC NO: 173061 DRWN: AZAHIROVIC 2018/02/26 CHK'D: JBELL 2018/04/06 APPR: FSMITH 2018/04/13			
$\nabla = 0$	DRAFT WHERE APPLICABLE MUST REMAIN WITHIN DIMENSIONS			INITIAL REVISION: DRWN: KSS 1989/02/19 APPR: FSMITH 2011/03/10				
$\nabla = 0$	THIRD ANGLE PROJECTION			DRAWING: C-SIZE SERIES: 5559				

THIS DRAWING REPLACES DRAWING SD-5559-NLP+

DOCUMENT STATUS	P1	RELEASE DATE	2018/04/13	22:56:47
-----------------	----	--------------	------------	----------

TOOLED	PART NO	ENG NO	CKT SIZE	MOUNTING OPTION	LOCK OPTION	MATERIAL SEE NOTE I
YES	46999-0655	5559-02P2	2	W/EARS	POSITIVE	94V-2
YES	46999-0656	5559-02P3	2	W/O EAR	POSITIVE	94V-2
YES	46999-0657	5559-02P2-210	2	W/EARS	POSITIVE	94V-0
YES	46999-0658	5559-02P3-210	2	W/O EAR	POSITIVE	94V-0
YES	46999-0884	5559-02P2-400	2	W/EARS	POSITIVE	94V-0 BLACK
YES	46999-0885	5559-02P3-400	2	W/O EAR	POSITIVE	94V-0 BLACK
O	39-01-4042	5559-04P2	4	W/EARS	POSITIVE	94V-2
YES	39-01-4046	5559-04P3	4	W/O EAR	POSITIVE	94V-2
YES	39-01-4043	5559-04P2-210	4	W/EARS	POSITIVE	94V-0
YES	39-01-4047	5559-04P3-210	4	W/O EAR	POSITIVE	94V-0
YES	46999-0561	5559-04P3-400	4	W/O EAR	POSITIVE	94V-0 BLACK
YES	39-01-4052	5559-05P2	5	W/EARS	POSITIVE	94V-2
YES	39-01-4056	5559-05P3	5	W/O EAR	POSITIVE	94V-2
YES	39-01-4053	5559-05P2-210	5	W/EARS	POSITIVE	94V-0
YES	39-01-4057	5559-05P3-210	5	W/O EAR	POSITIVE	94V-0
YES	50-30-4446	5559-05P3-400	5	W/O EAR	POSITIVE	94V-0 BLACK
YES	39-01-4062	5559-06P2	6	W/EARS	POSITIVE	94V-2
YES	39-01-4066	5559-06P3	6	W/O EAR	POSITIVE	94V-2
YES	46999-0886	5559-06P2-400	6	W/EARS	POSITIVE	94V-0 BLACK
YES	46999-0887	5559-06P3-400	6	W/O EAR	POSITIVE	94V-0 BLACK
YES	39-01-4063	5559-06P2-210	6	W/EARS	POSITIVE	94V-0
YES	39-01-4067	5559-06P3-210	6	W/O EAR	POSITIVE	94V-0
NO	39-01-4072	5559-07P2	7	W/EARS	POSITIVE	94V-2
NO	39-01-4076	5559-07P3	7	W/O EAR	POSITIVE	94V-2
NO	39-01-4073	5559-07P2-210	7	W/EARS	POSITIVE	94V-0
NO	39-01-4077	5559-07P3-210	7	W/O EAR	POSITIVE	94V-0
NO	39-01-4082	5559-08P2	8	W/EARS	POSITIVE	94V-2
NO	39-01-4086	5559-08P3	8	W/O EAR	POSITIVE	94V-2
NO	39-01-4083	5559-08P2-210	8	W/EARS	POSITIVE	94V-0
NO	39-01-4087	5559-08P3-210	8	W/O EAR	POSITIVE	94V-0
NO	39-01-4092	5559-09P2	9	W/EARS	POSITIVE	94V-2
NO	39-01-4096	5559-09P3	9	W/O EAR	POSITIVE	94V-2
NO	39-01-4093	5559-09P2-210	9	W/EARS	POSITIVE	94V-0
NO	39-01-4097	5559-09P3-210	9	W/O EAR	POSITIVE	94V-0
NO	39-01-4102	5559-10P2	10	W/EARS	POSITIVE	94V-2
NO	39-01-4106	5559-10P3	10	W/O EAR	POSITIVE	94V-2
NO	39-01-4103	5559-10P2-210	10	W/EARS	POSITIVE	94V-0
NO	39-01-4107	5559-10P3-210	10	W/O EAR	POSITIVE	94V-0
NO	39-01-4112	5559-11P2	11	W/EARS	POSITIVE	94V-2
NO	39-01-4116	5559-11P3	11	W/O EAR	POSITIVE	94V-2
NO	39-01-4113	5559-11P2-210	11	W/EARS	POSITIVE	94V-0
NO	39-01-4117	5559-11P3-210	11	W/O EAR	POSITIVE	94V-0
NO	39-01-4122	5559-12P2	12	W/EARS	POSITIVE	94V-2
NO	39-01-4126	5559-12P3	12	W/O EAR	POSITIVE	94V-2
NO	39-01-4123	5559-12P2-210	12	W/EARS	POSITIVE	94V-0
NO	39-01-4127	5559-12P3-210	12	W/O EAR	POSITIVE	94V-0

TOOLED	PART NO	ENG NO	CKT SIZE	MOUNTING OPTION	LOCK OPTION	MATERIAL SEE NOTE I
NO	NO E.D.P.	5559-04P4	4	W/EARS	PASSIVE	94V-2
NO	NO E.D.P.	5559-04P5	4	W/O EAR	PASSIVE	94V-2
NO	NO E.D.P.	5559-04P4-210	4	W/EARS	PASSIVE	94V-0
NO	NO E.D.P.	5559-04P5-210	4	W/O EAR	PASSIVE	94V-0
YES	50-29-1599	5559-05P4-210	5	W/EARS	PASSIVE	94V-0
NO	NO E.D.P.	5559-05P5-210	5	W/O EAR	PASSIVE	94V-0
NO	NO E.D.P.	5559-05P5-400	5	W/O EAR	PASSIVE	94V-0 BLACK
NO	NO E.D.P.	5559-06P4	6	W/EARS	PASSIVE	94V-2
NO	NO E.D.P.	5559-06P5	6	W/O EAR	PASSIVE	94V-2
NO	NO E.D.P.	5559-06P4-210	6	W/EARS	PASSIVE	94V-0
NO	NO E.D.P.	5559-06P5-210	6	W/O EAR	PASSIVE	94V-0
NO	NO E.D.P.	5559-07P4	7	W/EARS	PASSIVE	94V-2
NO	NO E.D.P.	5559-07P5	7	W/O EAR	PASSIVE	94V-2
NO	NO E.D.P.	5559-07P4-210	7	W/EARS	PASSIVE	94V-0
NO	NO E.D.P.	5559-07P5-210	7	W/O EAR	PASSIVE	94V-0
NO	NO E.D.P.	5559-08P4	8	W/EARS	PASSIVE	94V-2
NO	NO E.D.P.	5559-08P5	8	W/O EAR	PASSIVE	94V-2
NO	NO E.D.P.	5559-08P4-210	8	W/EARS	PASSIVE	94V-0
NO	NO E.D.P.	5559-08P5-210	8	W/O EAR	PASSIVE	94V-0
NO	NO E.D.P.	5559-09P4	9	W/EARS	PASSIVE	94V-2
NO	NO E.D.P.	5559-09P5	9	W/O EAR	PASSIVE	94V-2
NO	NO E.D.P.	5559-09P4-210	9	W/EARS	PASSIVE	94V-0
NO	NO E.D.P.	5559-09P5-210	9	W/O EAR	PASSIVE	94V-0
NO	NO E.D.P.	5559-10P4	10	W/EARS	PASSIVE	94V-2
NO	NO E.D.P.	5559-10P5	10	W/O EAR	PASSIVE	94V-2
NO	NO E.D.P.	5559-10P4-210	10	W/EARS	PASSIVE	94V-0
NO	NO E.D.P.	5559-10P5-210	10	W/O EAR	PASSIVE	94V-0
NO	NO E.D.P.	5559-11P4	11	W/EARS	PASSIVE	94V-2
NO	NO E.D.P.	5559-11P5	11	W/O EAR	PASSIVE	94V-2
NO	NO E.D.P.	5559-11P4-210	11	W/EARS	PASSIVE	94V-0
NO	NO E.D.P.	5559-11P5-210	11	W/O EAR	PASSIVE	94V-0
NO	NO E.D.P.	5559-12P4	12	W/EARS	PASSIVE	94V-2
NO	NO E.D.P.	5559-12P5	12	W/O EAR	PASSIVE	94V-2
NO	NO E.D.P.	5559-12P4-210	12	W/EARS	PASSIVE	94V-0
NO	NO E.D.P.	5559-12P5-210	12	W/O EAR	PASSIVE	94V-0

"O" = OBSOLETE

LEGEND

5559-***P*-*

BASE NO

CIRCUIT SIZE (04-12)

PLUG

MATERIAL OPTION: SEE NOTE I

MOUNTING AND LOCK OPTION:
 2=WITH EARS, POSITIVE LOCK
 3=WITHOUT EARS, POSITIVE LOCK
 4=WITH EARS, PASSIVE LOCK
 5=WITHOUT EARS, PASSIVE LOCK

DOCUMENT STATUS	P1	RELEASE DATE	2018/04/13 22:56:47
-----------------	----	--------------	---------------------

THIS DRAWING REPLACES DRAWING SD-5559-NLP+

SYMBOLS	THIS DRAWING CONTAINS INFORMATION THAT IS PROPRIETARY TO MOLEX ELECTRONIC TECHNOLOGIES, LLC AND SHOULD NOT BE USED WITHOUT WRITTEN PERMISSION		CURRENT REV DESC: INITIAL REVISION	
	DIMENSION UNITS	SCALE		
▽ = 0	IN/MM	1:1		
▽ = 0	GENERAL TOLERANCES (UNLESS SPECIFIED)			
▽ = 0		MM	INCH	
▽ = 0	4 PLACES	±	±	
▽ = 0	3 PLACES	±	± 0.01	
▽ = 0	2 PLACES	± 0.25	± 0.015	
▽ = 0	1 PLACE	± 0.38	±	
☒ = 0	0 PLACES	±	±	
■ = 0	ANGULAR TOL	± 0.5 °		
▽ = 0	DRAFT WHERE APPLICABLE MUST REMAIN WITHIN DIMENSIONS	THIRD ANGLE PROJECTION	DRAWING	SERIES
			C-SIZE	5559

EC NO: 173061		2018/02/26	
DRWN: AZAHIROVIC		2018/04/06	
CHK'D: JBELL		2018/04/13	
APPR: FSMITH			
INITIAL REVISION:			
DRWN: KSS		1989/02/19	
APPR: FSMITH		2011/03/10	

DOCUMENT NUMBER		DOC TYPE	DOC PART	REVISION
55590002-SD		PSD	000	A

MATERIAL NUMBER	CUSTOMER	SHEET NUMBER
SEE CHART	GENERAL MARKET	3 OF 3