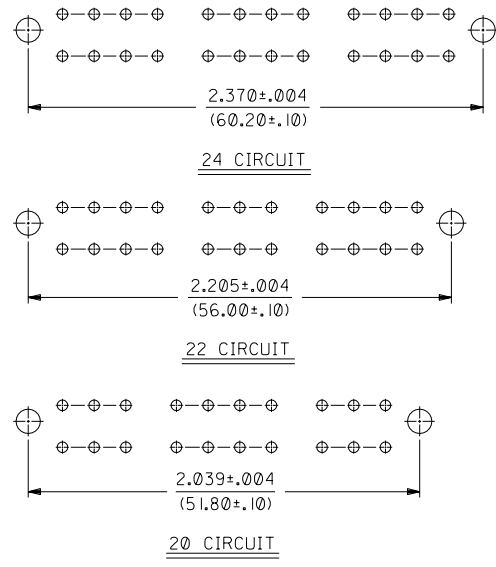
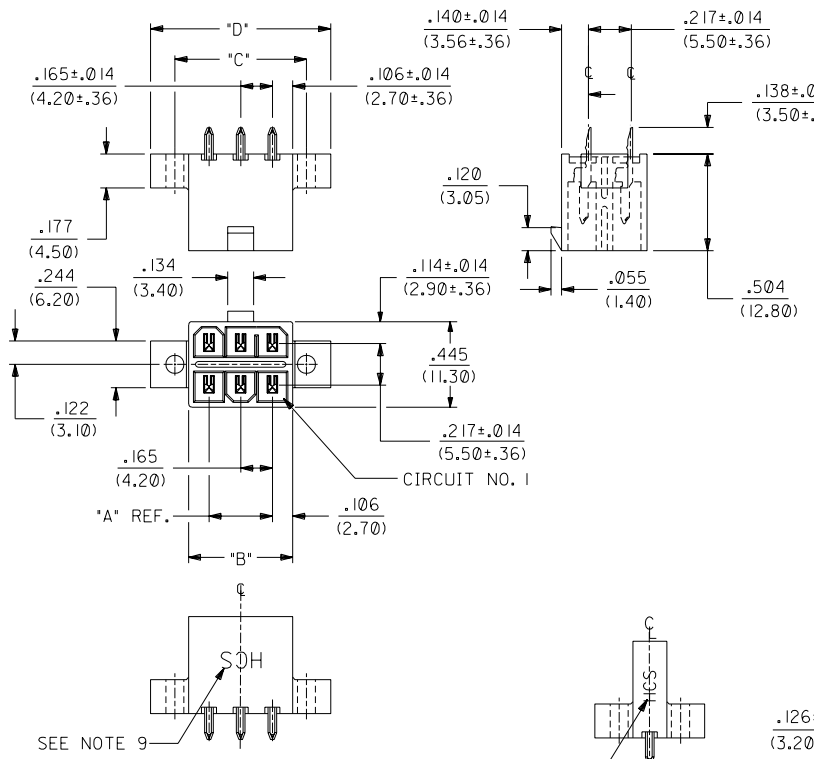


FLANGE MOUNT
(SEE SHT. 2 FOR PARTS WITH PEGS)



LETTER DIMENSIONS FOR ASSEMBLIES WITH FLANGES				
CKT. SIZE	DIM. "A"	DIM. "B"	DIM. "C"	DIM. "D"
2	—	.213 (5.40)	.354 (9.00)	.606 (15.40)
4	.165 (4.20)	.378 (9.60)	.520 (13.20)	.772 (19.60)
6	.331 (8.40)	.543 (13.80)	.685 (17.40)	.937 (23.80)
8	.496 (12.60)	.709 (18.00)	.850 (21.60)	1.102 (28.00)
10	.661 (16.80)	.874 (22.20)	1.016 (25.80)	1.268 (32.20)
12	.827 (21.00)	1.039 (26.40)	1.181 (30.00)	1.433 (36.40)
14	.992 (25.20)	1.205 (30.60)	1.346 (34.20)	1.598 (40.60)
16	1.157 (29.40)	1.370 (34.80)	1.512 (38.40)	1.764 (44.80)
18	1.520 (38.60)	1.732 (44.00)	1.874 (47.60)	2.126 (54.00)
20	1.685 (42.80)	1.898 (48.20)	2.039 (51.80)	2.291 (58.20)
22	1.850 (47.00)	2.063 (52.40)	2.205 (56.00)	2.457 (62.40)
24	2.016 (51.20)	2.228 (56.60)	2.370 (60.20)	2.622 (66.60)



NOTES:

- HOUSING MAT'L.: POLYESTER, UNFILLED, 94V-0. COLOR: BLACK.
- TERMINAL MATERIAL: C197 ALLOY.
- PART MATES WITH RECEPTACLE 30067-*
- PRODUCT SPECIFICATION AND PROCESSING PARAMETERS: SEE PS-44476-0003.
- PART IS DESIGNED FOR USE WITH #4-40 OR M3 SELF TAPPING SCREW.
- PLATINGS:
 * I = .000100/(.00254) MIN. BRIGHT TIN OVER
 .000050/(.00127) MIN. NICKEL.
 * THE PRIMARY SHIPPING CARTON WILL BE LABELED "COMPLIANT TO RoHS DIRECTIVE 2002/95/EC AND ELV ANNEX II OF DIRECTIVE 2000/53/EC". CARTONS WITHOUT THIS LABEL MAY CONTAIN PRODUCT WITH TIN-LEAD PLATING.
- CONNECTOR ASSEMBLIES ARE NOT TO BE MATED OR UNMATED WHILE CIRCUITS ARE LIVE.
- ITEM NUMBERS PRECEDED BY AN "X" IN THE CHARTS ON SHEET 3 ARE NOT AVAILABLE.
- PARTS PRODUCED AFTER JULY 1, 2004 WILL HAVE "HCS" MARKING INSTEAD OF BLACK STRIPE.

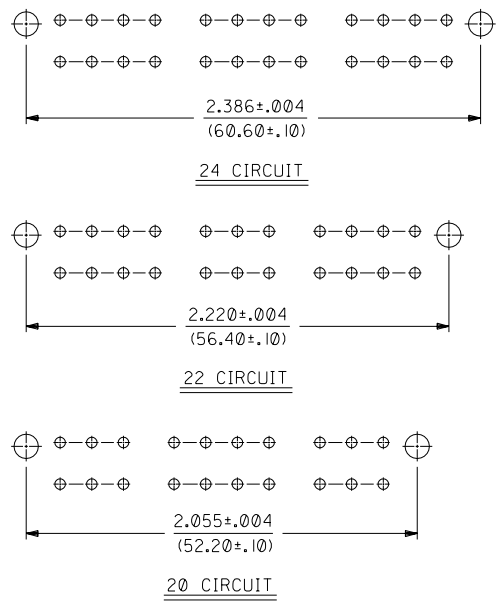
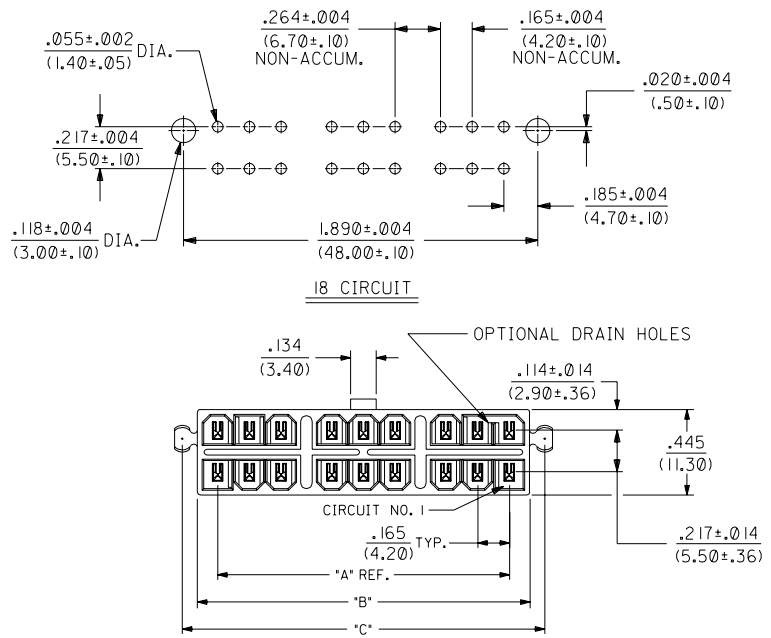
C	REMOVED TIN-LEAD UCP2004-2049 SLINEHAN 04-04-19
B	ADD "HCS" UCP2004-1149 SLINEHAN 03-12-17
A	REL. DRAWING ECN #151235 95-06-26 A.GUZZIK
	*X REL. PER ECN U40840 GEP 8-12-94

DIMENSIONS SHOWN (METRIC) INCH UNLESS OTHERWISE SPECIFIED TOLERANCES: ANGULAR ± 1/2°		▽ = 0 ▽ = 0 REVISE ONLY ON CAD SYSTEM	
3 PLAGE ± .010	---	TITLE T.P.A. VERT. HDR. ASS'Y. WITH & W/O DRAIN HOLES, FLANGES & PEGS, MINI-FIT H.C.S. SERIES	
2 PLAGE ± .014	± 0.25	MFG, SH, REV. LTR. REVISIONS	
1 PLAGE ---	± 0.36	3 A 2 C 1 C	
DRAWING WHERE APPLICABLE MUST REMAIN WITHIN DIMENSIONS		MOLLEX INCORPORATED SHEET NO. DATE U.S.A. 1 OF 3 8/12/94	
PART NO. DRWG. NO. SEE SHT. 3 SDA-44473-***		FILE NAME DIV. SIZE 544473X1 1 CP C	
DRWG. BY GEP	CHK'D. BY RJF	THIS DRAWING CONTAINS INFORMATION THAT IS PROPRIETARY TO MOLLEX INC. AND SHOULD NOT BE USED WITHOUT WRITTEN PERMISSION	
APP'D. BY RJF	SCALE 2:1		

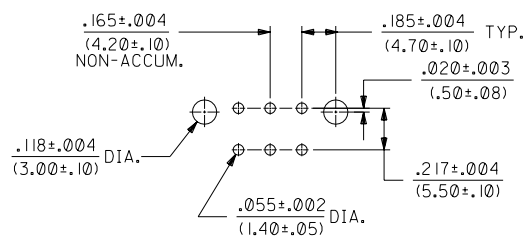
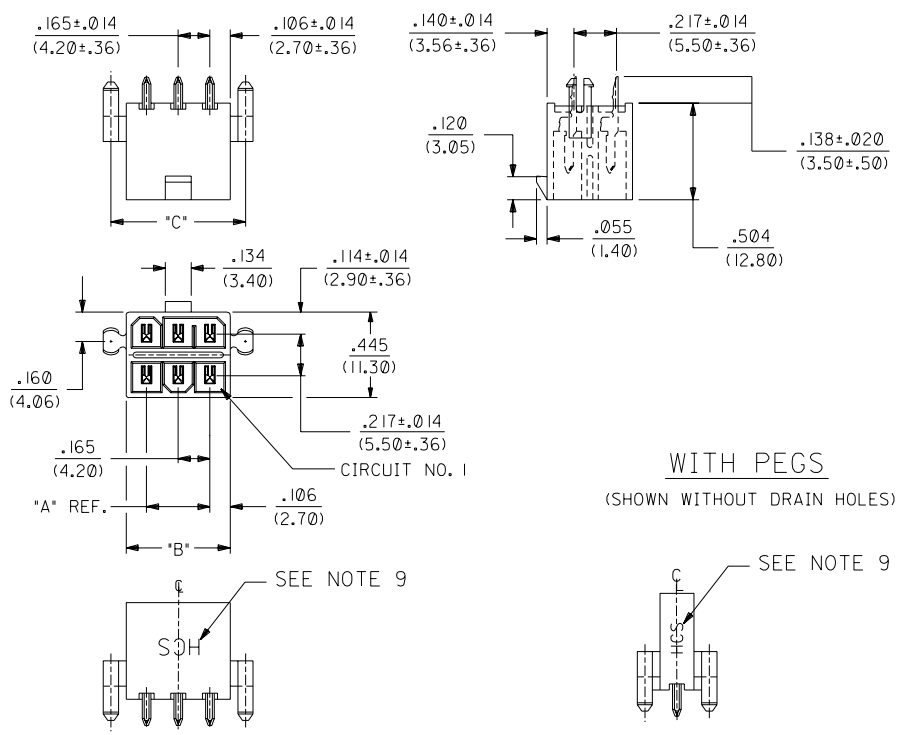
RECOMMENDED HOLE LAYOUT FOR
.070/(1.78) MAX. THICK P.C. BOARD

(SHOWN WITHOUT DRAIN HOLES)

"HCS" ORIENTATION ON 2 CKT. PARTS



LETTER DIMENSIONS FOR ASSEMBLIES WITH PEGS			
CKT. SIZE	DIM. "A"	DIM. "B"	DIM. "C"
2	—	.213 (5.40)	.370 (9.40)
4	.165 (4.20)	.378 (9.60)	.535 (13.60)
6	.331 (8.40)	.543 (13.80)	.701 (17.80)
8	.496 (12.60)	.709 (18.00)	.866 (22.00)
10	.661 (16.80)	.874 (22.20)	1.031 (26.20)
12	.827 (21.00)	1.039 (26.40)	1.197 (30.40)
14	.992 (25.20)	1.205 (30.60)	1.362 (34.60)
16	1.157 (29.40)	1.370 (34.80)	1.528 (38.80)
18	1.520 (38.60)	1.732 (44.00)	1.890 (48.00)
20	1.685 (42.80)	1.898 (48.20)	2.055 (52.20)
22	1.850 (47.00)	2.063 (52.40)	2.220 (56.40)
24	2.016 (51.20)	2.228 (56.60)	2.386 (60.60)



LEGEND

44473 - ** **

BASE NO. _____

CKT. SIZE (02-24) _____

HOUSING OPTIONS:

- 1 = FLANGES, NO DRAIN HOLES
- 2 = FLANGES, DRAIN HOLES
- 3 = PEGS, NO DRAIN HOLES
- 4 = PEGS, DRAIN HOLES

PLATING: _____

1 = TIN OVER NICKEL

"HCS" ORIENTATION ON 2 CKT. PARTS

	C	B	A	I
SEE SHT. 1	SEE SHT. 1	SEE SHT. 1	SEE SHT. 1	SEE SHT. 1

DIMENSIONS SHOWN (METRIC) INCH		▽ = 0		= 0		REVISE ONLY ON CAD SYSTEM	
UNLESS OTHERWISE SPECIFIED TOLERANCES: ANGULAR ± 1/2°							
INCH		METRIC		INCH		METRIC	
5 PLACE	± .010	---	---	---	---	---	---
2 PLACE	± .014	± 0.25	---	---	---	---	---
1 PLACE	---	± 0.36	---	---	---	---	---
DRAFT WHERE APPLICABLE MUST REMAIN WITHIN DIMENSIONS							
PART NO.		DRWG. NO.		MFG. SH.		REV.	
SEE SHT. 3		SDA-44473-****		LTR.		REVISIONS	
DRWG. BY: GEP		CHK'D. BY: RJF		FILE NAME: S44473X2		DIV.:	
APP'D. BY: RJF		SCALE: 2: 1		DATE: 8/15/94		SIZE: CP	
THIS DRAWING CONTAINS INFORMATION THAT IS PROPRIETARY TO MOLEX INC. AND SHOULD NOT BE USED WITHOUT WRITTEN PERMISSION.							

13			12			11			10			9			8			7			6			44473			4			3			2			1																																																																																																																																																																																																																																																																																																																																																																							
WITH FLANGES, NO DRAIN HOLES						WITH PEGS, NO DRAIN HOLES																																																																																																																																																																																																																																																																																																																																																																																																					
CKT. SIZE	ITEM NO.	PLATING SEE NOTE 6	CKT. SIZE	ITEM NO.	PLATING SEE NOTE 6	CKT. SIZE	ITEM NO.	PLATING SEE NOTE 6	CKT. SIZE	ITEM NO.	PLATING SEE NOTE 6	CKT. SIZE	ITEM NO.	PLATING SEE NOTE 6	CKT. SIZE	ITEM NO.	PLATING SEE NOTE 6	CKT. SIZE	ITEM NO.	PLATING SEE NOTE 6	CKT. SIZE	ITEM NO.	PLATING SEE NOTE 6	CKT. SIZE	ITEM NO.	PLATING SEE NOTE 6	CKT. SIZE	ITEM NO.	PLATING SEE NOTE 6	CKT. SIZE	ITEM NO.	PLATING SEE NOTE 6																																																																																																																																																																																																																																																																																																																																																																											
J	2	44473-0211	I	2	X 44473-0231	I	2		2			2			2			2			2			2			2			2																																																																																																																																																																																																																																																																																																																																																																													
	4	44473-0411	↑	4	X 44473-0431	↑	4		4			4			4			4			4			4			4			4																																																																																																																																																																																																																																																																																																																																																																													
I	6	44473-0611		6	44473-0631		6		6			6			6			6			6			6			6			6																																																																																																																																																																																																																																																																																																																																																																													
	8	44473-0811		8	X 44473-0831		8		8			8			8			8			8			8			8			8																																																																																																																																																																																																																																																																																																																																																																													
	10	44473-1011		10	X 44473-1031		10		10			10			10			10			10			10			10			10																																																																																																																																																																																																																																																																																																																																																																													
H	12	44473-1211		12	X 44473-1231		12		12			12			12			12			12			12			12			12																																																																																																																																																																																																																																																																																																																																																																													
	14	X 44473-1411		14	X 44473-1431		14		14			14			14			14			14			14			14			14																																																																																																																																																																																																																																																																																																																																																																													
	16	44473-1611		16	X 44473-1631		16		16			16			16			16			16			16			16			16																																																																																																																																																																																																																																																																																																																																																																													
	18	X 44473-1811		18	X 44473-1831		18		18			18			18			18			18			18			18			18																																																																																																																																																																																																																																																																																																																																																																													
G	20	X 44473-2011		20	X 44473-2031		20		20			20			20			20			20			20			20			20																																																																																																																																																																																																																																																																																																																																																																													
	22	X 44473-2211	↓	22	X 44473-2231	↓	22		22			22			22			22			22			22			22			22																																																																																																																																																																																																																																																																																																																																																																													
	24	X 44473-2411	I	24	X 44473-2431	I	24		24			24			24			24			24			24			24			24																																																																																																																																																																																																																																																																																																																																																																													
F	WITH FLANGES, DRAIN HOLES						WITH PEGS, DRAIN HOLES																																																																																																																																																																																																																																																																																																																																																																																																				
	2	X 44473-0221	I	2	X 44473-0241	I	2		2			2			2			2			2			2			2			2																																																																																																																																																																																																																																																																																																																																																																													
E	4	44473-0421	↑	4	X 44473-0441	↑	4		4			4			4			4			4			4			4			4																																																																																																																																																																																																																																																																																																																																																																													
	6	44473-0621		6	44473-0641		6		6			6			6			6			6			6			6			6																																																																																																																																																																																																																																																																																																																																																																													
	8	44473-0821		8	X 44473-0841		8		8			8			8			8			8			8			8			8																																																																																																																																																																																																																																																																																																																																																																													
D	10	44473-1021		10	X 44473-1041		10		10			10			10			10			10			10			10			10																																																																																																																																																																																																																																																																																																																																																																													
	12	44473-1221		12	X 44473-1241		12		12			12			12			12			12			12			12			12																																																																																																																																																																																																																																																																																																																																																																													
	14	X 44473-1421		14	X 44473-1441		14		14			14			14			14			14			14			14			14																																																																																																																																																																																																																																																																																																																																																																													
C	16	44473-1621		16	X 44473-1641		16		16			16			16			16			16			16			16			16																																																																																																																																																																																																																																																																																																																																																																													
	18	X 44473-1821		18	X 44473-1841		18		18			18			18			18			18			18			18			18																																																																																																																																																																																																																																																																																																																																																																													
	20	X 44473-2021		20	X 44473-2041		20		20			20			20			20			20			20			20			20																																																																																																																																																																																																																																																																																																																																																																													
B	22	X 44473-2221	↓	22	X 44473-2241	↓	22		22			22			22			22			22			22			22			22																																																																																																																																																																																																																																																																																																																																																																													
	24	X 44473-2421	I	24	X 44473-2441	I	24		24			24			24			24			24			24			24			24																																																																																																																																																																																																																																																																																																																																																																													
A																																																																																																																																																																																																																																																																																																																																																																																																											
																		<table border="1"> <tr><td colspan="18">DIMENSIONS SHOWN (METRIC) INCH</td></tr> <tr><td colspan="18">UNLESS OTHERWISE SPECIFIED TOLERANCES ANGULAR .01° ± .125°</td></tr> <tr><td colspan="18">INCH METRIC</td></tr> <tr><td colspan="18">3 PLACE ± --- ---</td></tr> <tr><td colspan="18">2 PLACE ± --- ± ---</td></tr> <tr><td colspan="18">1 PLACE --- --- ± ---</td></tr> <tr><td colspan="18">DRAFT WHERE APPLICABLE MUST REMAIN WITHIN DIMENSIONS</td></tr> <tr><td colspan="18">A SEE SHT. 1</td></tr> <tr><td colspan="18">I SEE SHT. 1</td></tr> <tr><td colspan="18">DRAWN BY: GEP CHK'D BY: RJF</td></tr> <tr><td colspan="18">APP'D BY: RJF SCALE: --:--</td></tr> <tr><td colspan="18">LTR. REVISIONS LTR. REVISIONS</td></tr> </table>																		DIMENSIONS SHOWN (METRIC) INCH																		UNLESS OTHERWISE SPECIFIED TOLERANCES ANGULAR .01° ± .125°																		INCH METRIC																		3 PLACE ± --- ---																		2 PLACE ± --- ± ---																		1 PLACE --- --- ± ---																		DRAFT WHERE APPLICABLE MUST REMAIN WITHIN DIMENSIONS																		A SEE SHT. 1																		I SEE SHT. 1																		DRAWN BY: GEP CHK'D BY: RJF																		APP'D BY: RJF SCALE: --:--																		LTR. REVISIONS LTR. REVISIONS																		<table border="1"> <tr><td colspan="18">= 0 = 0 REVISE ONLY ON CAD SYSTEM</td></tr> <tr><td colspan="18">TITLE: T.P.A. VERT. HDR. ASS'Y. WITH & W/O DRAIN HOLES, FLANGES & PEGS, MINI-FIT H.C.S. SERIES</td></tr> <tr><td colspan="18">MOLEX INCORPORATED SHEET NO. 3 DATE 8/15/94</td></tr> <tr><td colspan="18">LITTLE,ILL. U.S.A. 60532</td></tr> <tr><td colspan="18">PART NO. SEE CHARTS SDA-44473-****</td></tr> <tr><td colspan="18">FILE NAME: S44473X3 DCHN THIS DRAWING CONTAINS INFORMATION THAT IS PROPRIETARY TO MOLEX INC. AND SHOULD NOT BE USED WITHOUT WRITTEN PERMISSION CP C</td></tr> </table>																		= 0 = 0 REVISE ONLY ON CAD SYSTEM																		TITLE: T.P.A. VERT. HDR. ASS'Y. WITH & W/O DRAIN HOLES, FLANGES & PEGS, MINI-FIT H.C.S. SERIES																		MOLEX INCORPORATED SHEET NO. 3 DATE 8/15/94																		LITTLE,ILL. U.S.A. 60532																		PART NO. SEE CHARTS SDA-44473-****																		FILE NAME: S44473X3 DCHN THIS DRAWING CONTAINS INFORMATION THAT IS PROPRIETARY TO MOLEX INC. AND SHOULD NOT BE USED WITHOUT WRITTEN PERMISSION CP C																		44473																	
DIMENSIONS SHOWN (METRIC) INCH																																																																																																																																																																																																																																																																																																																																																																																																											
UNLESS OTHERWISE SPECIFIED TOLERANCES ANGULAR .01° ± .125°																																																																																																																																																																																																																																																																																																																																																																																																											
INCH METRIC																																																																																																																																																																																																																																																																																																																																																																																																											
3 PLACE ± --- ---																																																																																																																																																																																																																																																																																																																																																																																																											
2 PLACE ± --- ± ---																																																																																																																																																																																																																																																																																																																																																																																																											
1 PLACE --- --- ± ---																																																																																																																																																																																																																																																																																																																																																																																																											
DRAFT WHERE APPLICABLE MUST REMAIN WITHIN DIMENSIONS																																																																																																																																																																																																																																																																																																																																																																																																											
A SEE SHT. 1																																																																																																																																																																																																																																																																																																																																																																																																											
I SEE SHT. 1																																																																																																																																																																																																																																																																																																																																																																																																											
DRAWN BY: GEP CHK'D BY: RJF																																																																																																																																																																																																																																																																																																																																																																																																											
APP'D BY: RJF SCALE: --:--																																																																																																																																																																																																																																																																																																																																																																																																											
LTR. REVISIONS LTR. REVISIONS																																																																																																																																																																																																																																																																																																																																																																																																											
= 0 = 0 REVISE ONLY ON CAD SYSTEM																																																																																																																																																																																																																																																																																																																																																																																																											
TITLE: T.P.A. VERT. HDR. ASS'Y. WITH & W/O DRAIN HOLES, FLANGES & PEGS, MINI-FIT H.C.S. SERIES																																																																																																																																																																																																																																																																																																																																																																																																											
MOLEX INCORPORATED SHEET NO. 3 DATE 8/15/94																																																																																																																																																																																																																																																																																																																																																																																																											
LITTLE,ILL. U.S.A. 60532																																																																																																																																																																																																																																																																																																																																																																																																											
PART NO. SEE CHARTS SDA-44473-****																																																																																																																																																																																																																																																																																																																																																																																																											
FILE NAME: S44473X3 DCHN THIS DRAWING CONTAINS INFORMATION THAT IS PROPRIETARY TO MOLEX INC. AND SHOULD NOT BE USED WITHOUT WRITTEN PERMISSION CP C																																																																																																																																																																																																																																																																																																																																																																																																											
13			12			11			10			9			8			7			6			5			4			3			2			1																																																																																																																																																																																																																																																																																																																																																																							