

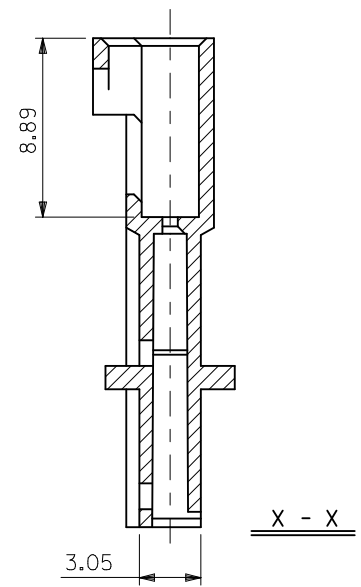
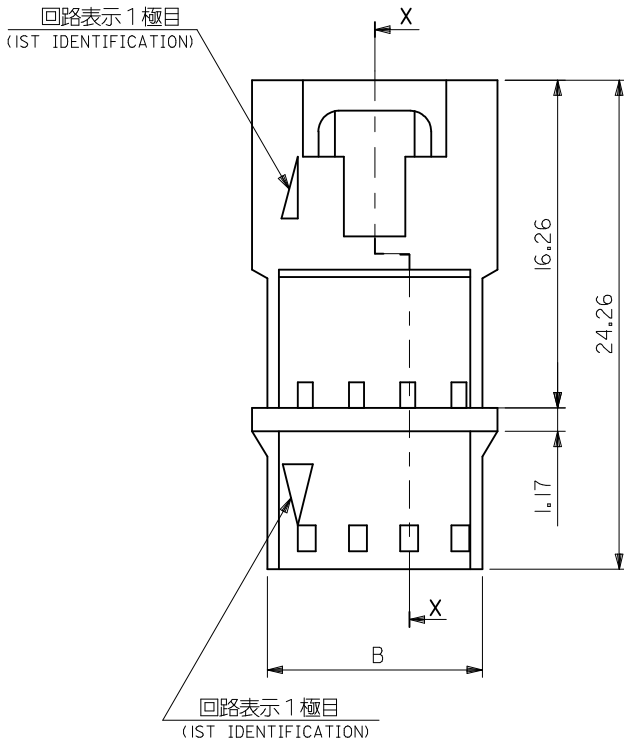
OPTION A

注記
NOTES

1. 適合オスターミナル：50087-****, 50088-****
APPLICABLE MALE TERMINALS : 50087-****,50088-****
2. 適合メスコネクター：51030-***3*, 52109-****
APPLICABLE FEMALE CONNECTORS : 51030-***3*,52109-****
- △ 2極の場合は、5.41±0.5
FOR 2CIRCUITS VERSION , 5.41±0.5
4. ハウジングの色 (ENG. No. の下1桁に対応する。) :
COLOR OF HOUSING (INDICATED BY THE LAST DIGIT):
白色 ; 51029-**10
WHITE ; 51029-**10



2極, 3極の場合
FOR 2 AND 3 CIRCUIT
(SCALE:2-1)



61.47	58.42	51029-2410	24
58.93	55.88	-2310	23
56.39	53.34	-2210	22
53.85	50.80	-2110	21
51.31	48.26	-2010	20
48.77	45.72	-1910	19
46.23	43.18	-1810	18
43.69	40.64	-1710	17
41.15	38.10	-1610	16
38.61	35.56	-1510	15
36.07	33.02	-1410	14
33.53	30.48	-1310	13
30.99	27.94	-1210	12
28.45	25.40	-1110	11
25.91	22.86	-1010	10
23.37	20.32	-0910	9
20.83	17.78	-0810	8
18.29	15.24	-0710	7
15.75	12.70	-0610	6
13.21	10.16	-0510	5
10.67	7.62	-0410	4
8.13	5.08	-0310	3
5.59	2.54	51029-0210	2
B	A	MATERIAL NO.	極数 CIRCUITS

材料
MATERIAL ガラス入り ポリエステル
GLASS FILLED POLYESTER
UL 94V-0

REVISED EC NO: J2009-1245 DRWN:NAKAMURA 2008/12/15 CHKD:T. HARUYAMA 2008/12/15 APPR:NUKITA 2009/01/13	GENERAL TOLERANCES (UNLESS SPECIFIED)		DIMENSION STYLE MM ONLY		SCALE 4:1	DESIGN UNITS METRIC	THIRD ANGLE PROJECTION	
	10 UNDER	±0.2	DRAWN BY M. SASAOKA	DATE '88/11/14	TITLE J-SL 2.54 SINGLE ROW HSG CONN W/O LATCHES (OPTION A)			
	10 OVER 30 UNDER	±0.25	CHECKED BY H. HIRATA	DATE	MOLEX INCORPORATED			
	30 OVER	±0.3	APPROVED BY A. ASO	DATE	DOCUMENT NO. SD-51029-002			
REV	DESCRIPTION	ANGULAR ±3 °	MATERIAL NO. SEE TABLE		SHEET NO. 1 OF 1			
		DRAFT WHERE APPLICABLE MUST REMAIN WITHIN DIMENSIONS	THIS DRAWING CONTAINS INFORMATION THAT IS PROPRIETARY TO MOLEX INCORPORATED AND SHOULD NOT BE USED WITHOUT WRITTEN PERMISSION					