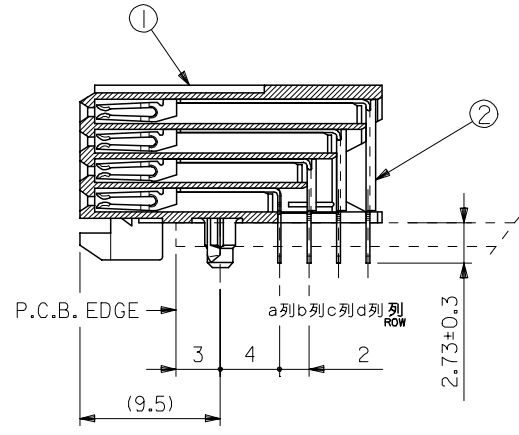
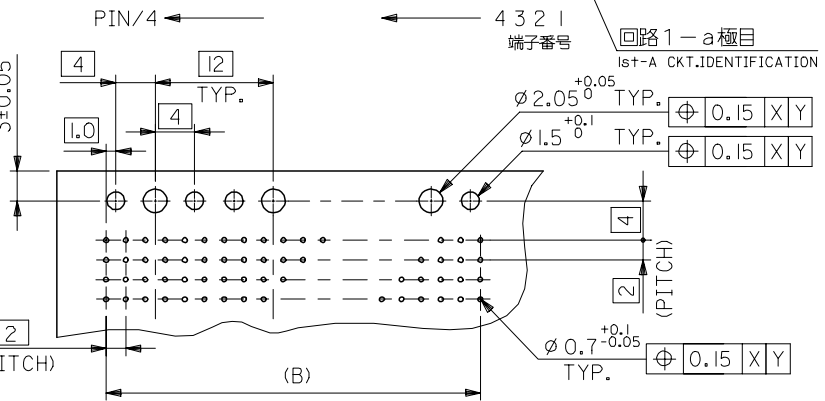
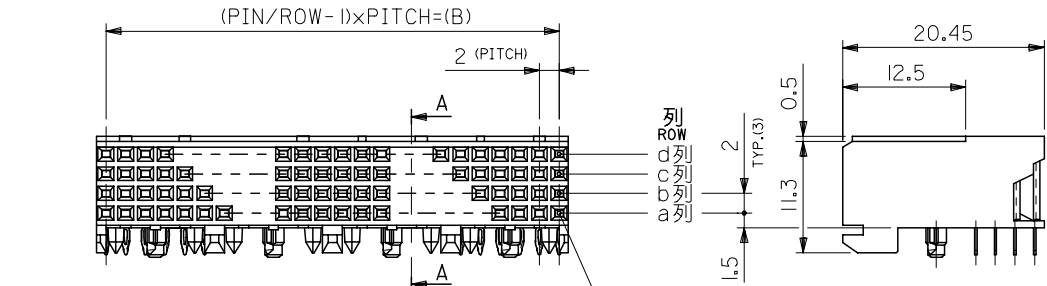
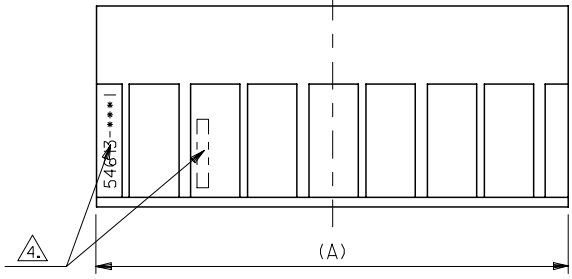


10 9 8 7 6 5 4 3 2 1

番号 No.	部品 PART NAME	材質 MATERIAL	仕上げ FINISH
①	リセプタクル ハウジング RECEPTACLE HOUSING	液晶ポリマー、ガラス充填、自然色(白)、UL94V-0 LIQUID CRYSTAL POLYMER, GLASS FILLED, NATURAL(WHITE)	—
②	リセプタクル ターミナル RECEPTACLE TERMINAL	リン青銅 PHOSPHOR BRONZE	△



A-A
(NON-SCALE)

- 注記
NOTE :
- △ ターミナル めっき仕様
TERMINAL PLATING
金めっき: 0.76µm MIN. (接点部)
GOLD: 0.76µm MIN. (CONTACT AREA)
半田めっき: 1.0µm MIN. (半田付け部)
TIN-LEAD: 1.0µm MIN. (SOLDER AREA)
ニッケルメッキ: 2.0µm MIN. (下地めっき)
NICKEL: 1.0µm MIN. (UNDER PLATING)
 - 2. 推奨基板厚: t=1.6, 2.4mm
RECOMMENDED P.C.B. THICKNESS: t=1.6, 2.4mm
 - 3. 適合プラグ: 53901-***5,55222-***5,55089-***5
APPLICABLE PLUG: 53901-***5,55222-***5,55089-***5
 - △ 製品番号及びロットナンバー
MATERIAL NO. & LOT NO.

94	95.98	54613-1921	192
58	59.98	54613-1201	120
46	47.98	54613-0961	96
22	23.98	54613-0481	48
B	A	MATERIAL NO.	PIN

基板穴推奨寸法 (部品実装)
RECOMMENDED P.C.B. LAYOUT (COMPONENT SIDE)

REV	DESCRIPTION
B	REVISED EC NO: S54613-00175-175 DRWN: YANG05 2007/04/10 CHKD: HWANG 2008/06/25 APPR: INCHEM 2007/04/18

QUALITY SYMBOLS	DESCRIPTION
▽=0	
△=0	

GENERAL TOLERANCES (UNLESS SPECIFIED)	
mm	INCH
4 PLACES ±---	±---
3 PLACES ±---	±---
2 PLACES ±0.25	±---
1 PLACE ±0.25	±---
ANGULAR ±3°	

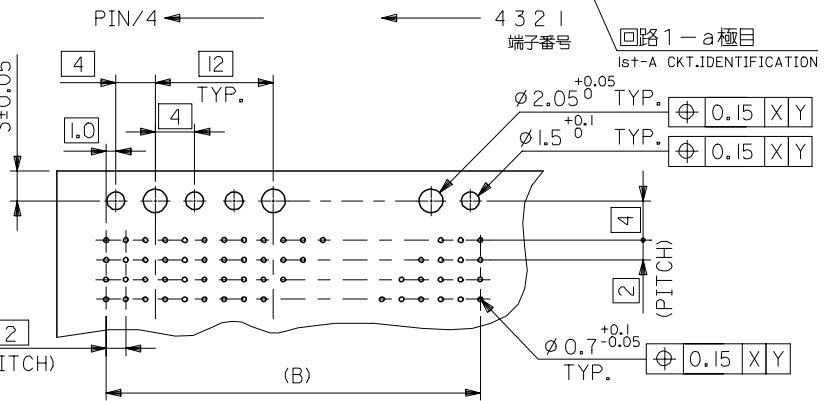
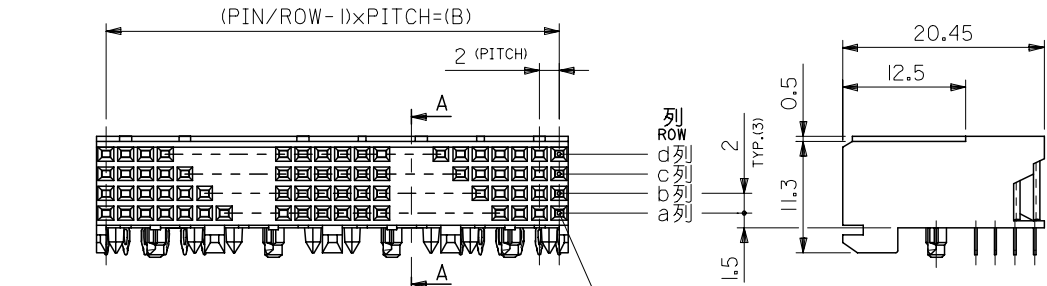
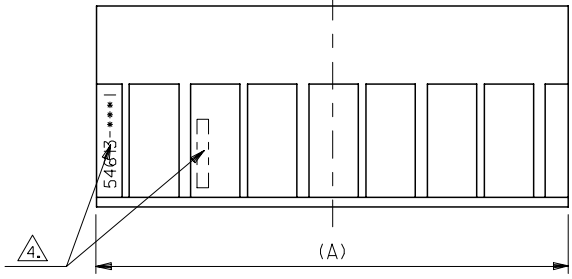
DIMENSION STYLE	
MM ONLY	
DRAWN BY	DATE
S. SHOSHIKAWA	1999/08/23
CHECKED BY	DATE
A. NODA	1999/08/23
APPROVED BY	DATE
H. IKESUGI	1999/08/23
MATERIAL NO.	
SEE TABLE	

SCALE	DESIGN UNITS	THIRD ANGLE PROJECTION	
2:1	METRIC		
MFB B/B(FB+)REC ASSY 4ROWS PRESS-FIT			
MOLEX INCORPORATED			
DOCUMENT NO.		SHEET NO.	
SD-54613-001		1 OF 1	

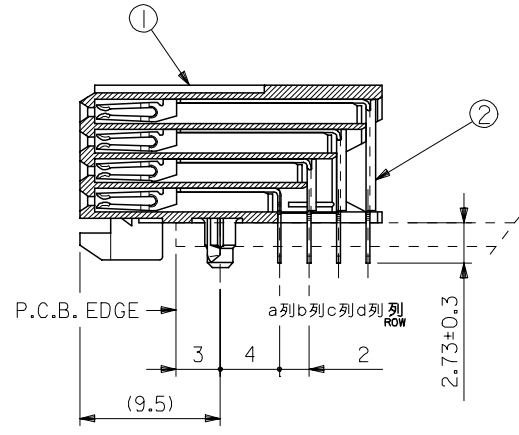
9 8 7 6 5 4 3 2 1

10 9 8 7 6 5 4 3 2 1

番号 No.	部品 PART NAME	材質 MATERIAL	仕上げ FINISH
①	リセプタクル ハウジング RECEPTACLE HOUSING	液晶ポリマー、ガラス充填、自然色(白)、UL94V-0 LIQUID CRYSTAL POLYMER, GLASS FILLED, NATURAL(WHITE)	—
②	リセプタクル ターミナル RECEPTACLE TERMINAL	リン青銅 PHOSPHOR BRONZE	△



基板穴推奨寸法 (部品実装)
RECOMMENDED P.C.B. LAYOUT (COMPONENT SIDE)



A-A
(NON-SCALE)

- 注記
NOTE :
- △ ターミナル めっき仕様
TERMINAL PLATING
金めっき: 0.76 μm MIN. (接点部)
GOLD: 0.76 μm MIN. (CONTACT AREA)
半田めっき: 1.0 μm MIN. (半田付け部)
TIN-LEAD: 1.0 μm MIN. (SOLDER AREA)
ニッケルメッキ: 2.0 μm MIN. (下地めっき)
NICKEL: 1.0 μm MIN. (UNDER PLATING)
 - 2. 推奨基板厚: t=1.6, 2.4mm
RECOMMENDED P.C.B. THICKNESS: t=1.6, 2.4mm
 - 3. 適合プラグ: 53901-***5,55222-***5,55089-***5
APPLICABLE PLUG: 53901-***5,55222-***5,55089-***5
 - △ 製品番号及びロットナンバー
MATERIAL NO. & LOT NO.

94	95.98	54613-1921	192
58	59.98	54613-1201	120
46	47.98	54613-0961	96
22	23.98	54613-0481	48
B	A	MATERIAL NO.	PIN

REVISED	DESCRIPTION
EC NO: S5520000750175	
DRWN: YANG05 2007/04/10	
CHKD: HWANG 2008/06/25	
APPR: INCHEM 2007/04/18	
REV	

QUALITY SYMBOLS	▽=0	△=0
-----------------	-----	-----

GENERAL TOLERANCES (UNLESS SPECIFIED)	
mm	INCH
4 PLACES ± ---	± ---
3 PLACES ± ---	± ---
2 PLACES ± 0.25	± ---
1 PLACE ± 0.25	± ---
ANGULAR ± 3°	
DRAFT WHERE APPLICABLE MUST REMAIN WITHIN DIMENSIONS	

DIMENSION STYLE	
MM ONLY	
DRAWN BY	DATE
S. SHOSHIKAWA	1999/08/23
CHECKED BY	DATE
A. NODA	1999/08/23
APPROVED BY	DATE
H. IKESUGI	1999/08/23
MATERIAL NO.	
SEE TABLE	
SIZE	
A3	

SCALE	DESIGN UNITS	THIRD ANGLE PROJECTION	
2:1	METRIC		
TITLE			
MFB B/B(FB+)REC ASSY 4ROWS PRESS-FIT			
MOLEX INCORPORATED			
DOCUMENT NO.		SHEET NO.	
SD-54613-001		1 OF 1	
THIS DRAWING CONTAINS INFORMATION THAT IS PROPRIETARY TO MOLEX INCORPORATED AND SHOULD NOT BE USED WITHOUT WRITTEN PERMISSION			

9 8 7 6 5 4 3 2 1