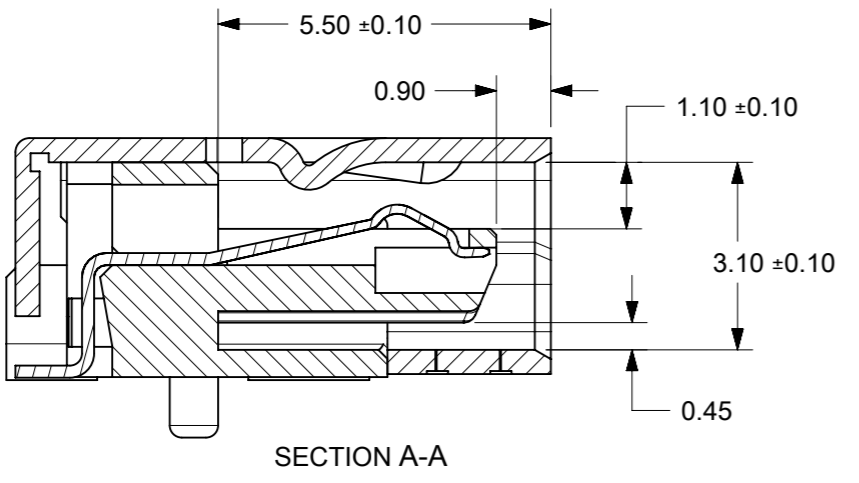
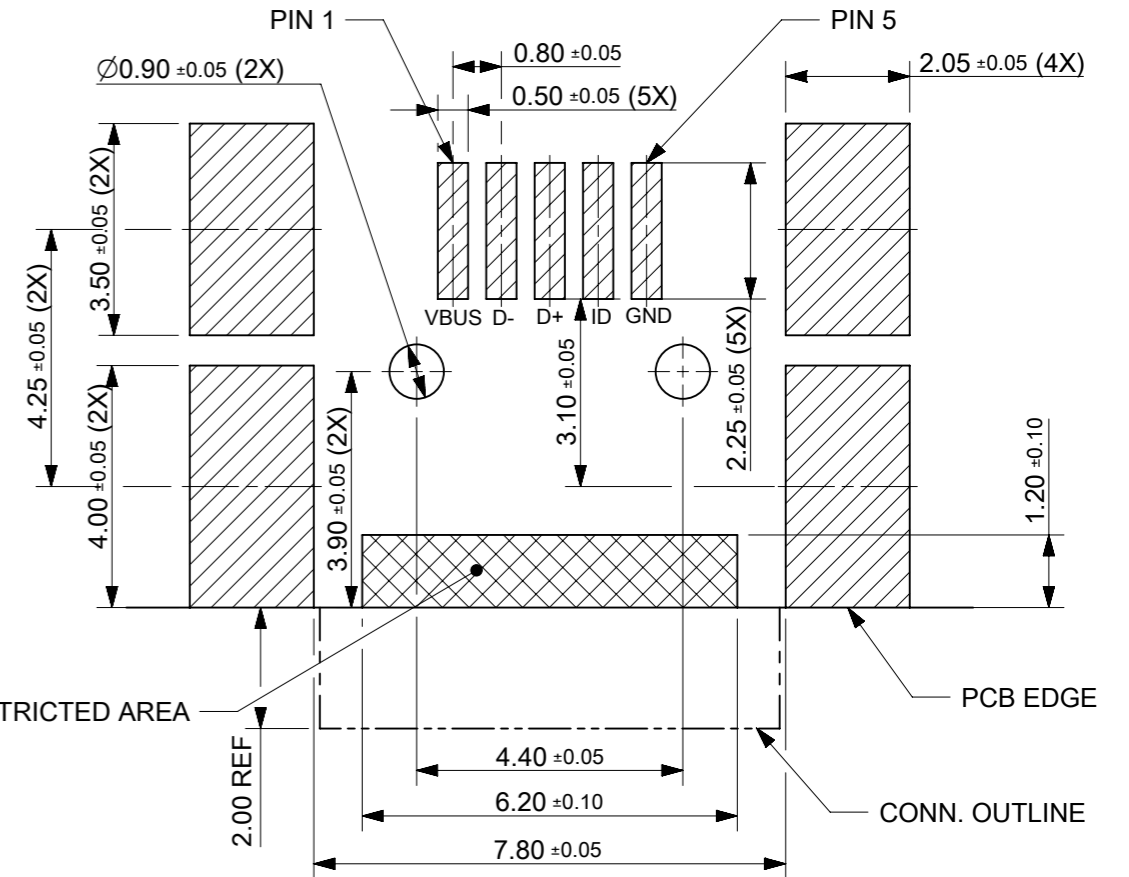
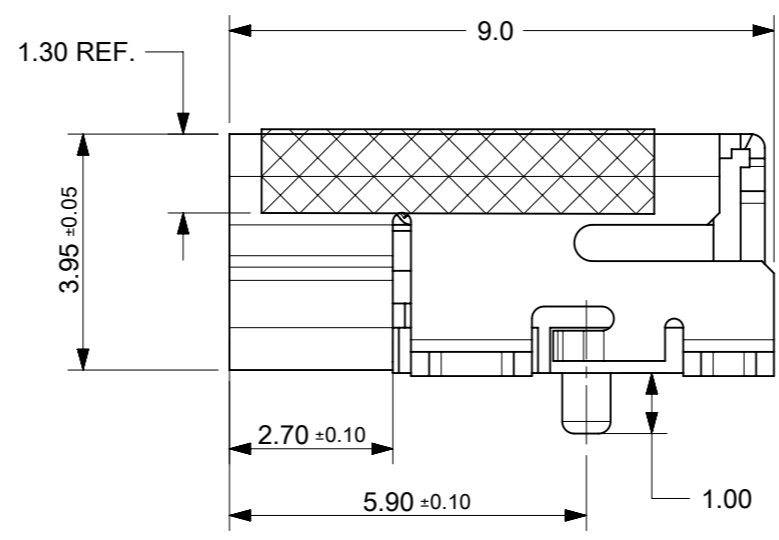
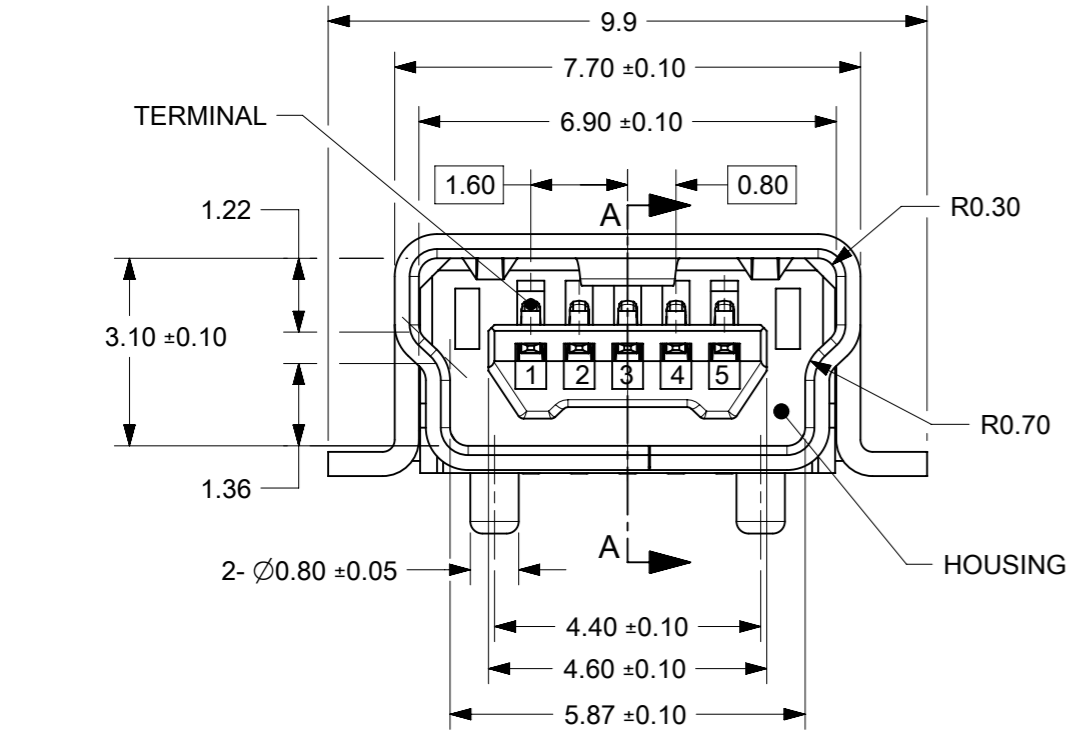


- NOTES:**
- MATERIAL:**  
 HOUSING: HIGH TEMPERATURE THERMAL PLASTIC, BLACK, UL94V-0  
 TERMINAL: COPPER ALLOY, THICKNESS = 0.2MM  
 SHIELD CASE: COPPER ALLOY, THICKNESS = 0.4MM
  - PLATING:**  
 TERMINAL:  
 CONTACT AREA: GOLD 0.75 MICROMETER MINIMUM.  
 SOLDER TAIL AREA: PURE TIN 1~3 MICROMETER PLATING.  
 UNDER PLATING: NICKEL 1.25 MICROMETER MINIMUM.  
 SHIELD CASE:  
 PURE TIN 1~3 MICROMETER PLATING.  
 UNDER PLATING: NICKEL 1.0 MICROMETER MINIMUM.
  - TAIL & NAIL COPLANARITY 0.1mm MAXIMUM.**
  - PRODUCT SPECIFICATION REFER TO PS-67803-001.**
  - PACKAGING INFORMATION REFER TO PK-67503-001.**



PART NUMBER 67503-1020

**RECOMMENDED PCB PATTERN LAYOUT**

THIS DRAWING CONTAINS INFORMATION THAT IS PROPRIETARY TO MOLEX ELECTRONIC TECHNOLOGIES, LLC AND SHOULD NOT BE USED WITHOUT WRITTEN PERMISSION		CURRENT REV DESC:		<b>molex</b>	
DIMENSION UNITS	SCALE				
mm	NTS			USB SERIES MINI-B REC. ASS'Y SMT TYPE (LEAD FREE)	
GENERAL TOLERANCES (UNLESS SPECIFIED)				PRODUCT CUSTOMER DRAWING	
ANGULAR TOL	± 3.0°			DOCUMENT NUMBER	
4 PLACES	±	EC NO: 644146	2020/09/28	SD-67503-010	
3 PLACES	±	DRWN: PRADEA	2021/05/26	DOC TYPE	DOC PART
2 PLACES	± 0.25	CHK'D: AYIN	2021/05/26	PSD	001
1 PLACE	± 0.25	APPR: AYIN	2021/05/26	REVISION	
0 PLACES	±	INITIAL REVISION:		G	
DRAFT WHERE APPLICABLE MUST REMAIN WITHIN DIMENSIONS		DRWN: LXWANG	2005/01/04	MATERIAL NUMBER	
THIRD ANGLE PROJECTION		APPR: YTYAP	2005/01/05	CUSTOMER	
DRAWING		SERIES		SHEET NUMBER	
A3-SIZE		67503		SEE TABLE	
GENERAL MARKET		GENERAL MARKET		1 OF 1	