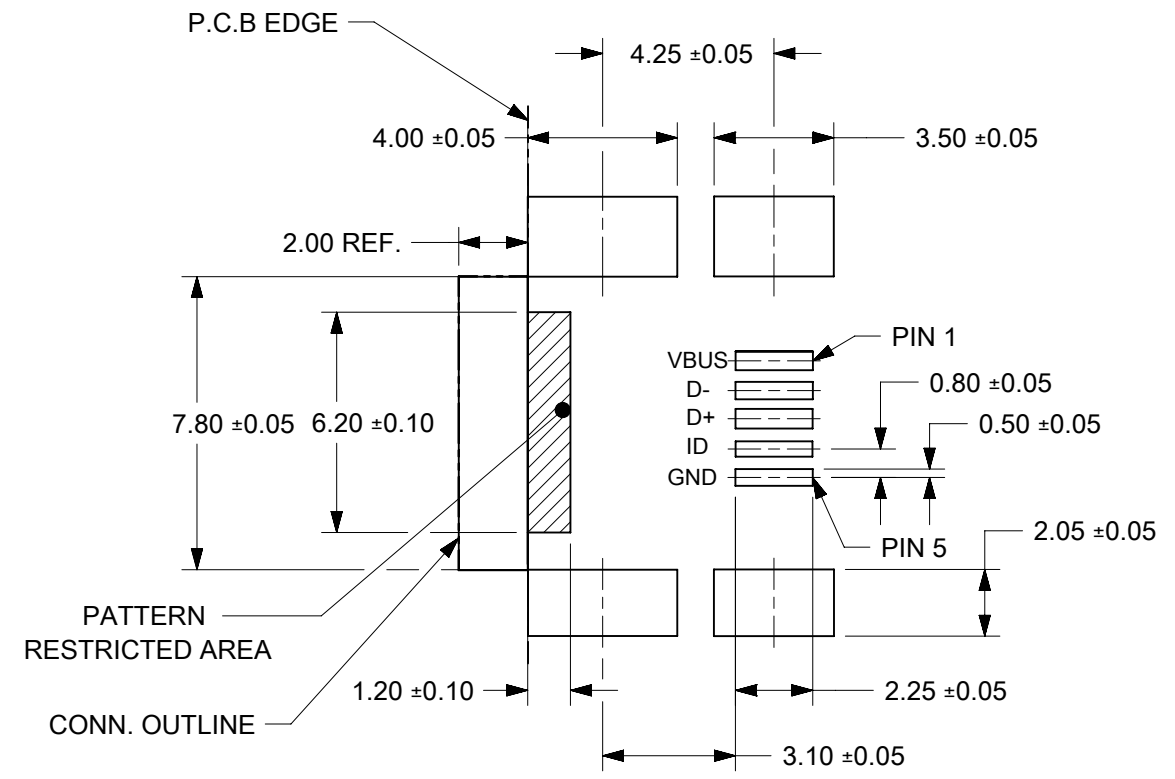
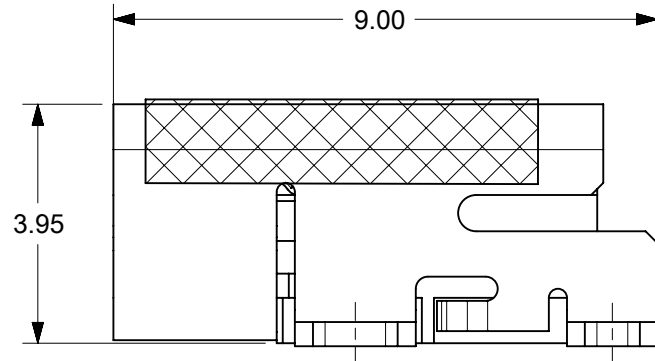
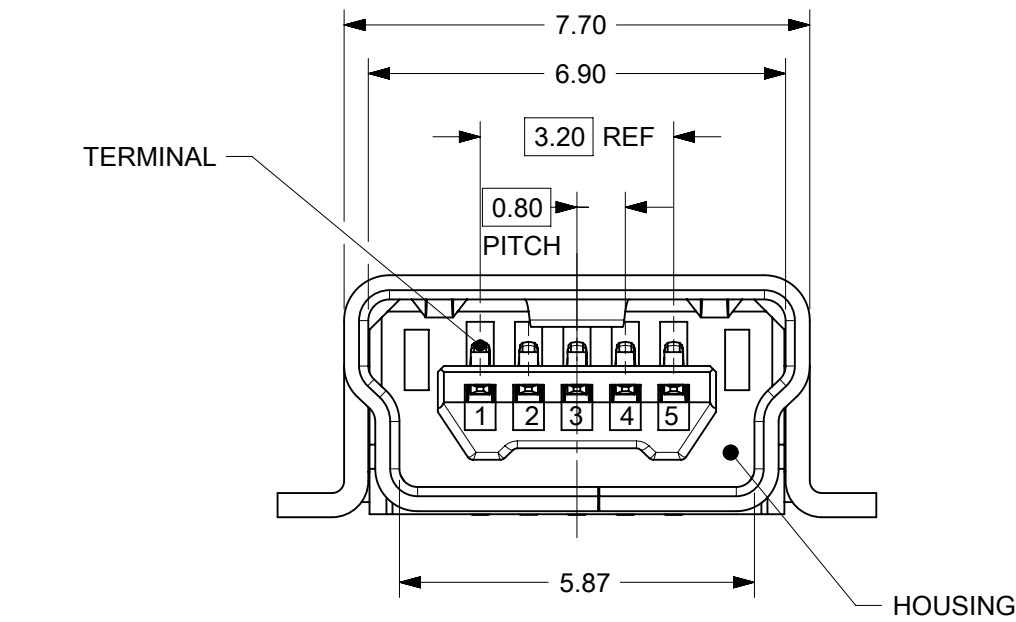


NOTES:

1. MATERIAL:
HOUSING: HIGH TEMPERATURE THERMAL PLASTIC, BLACK, UL94V-0
TERMINAL: COPPER ALLOY, THICKNESS = 0.2MM
SHIELD CASE: COPPER ALLOY, THICKNESS = 0.4MM
2. PLATING:
TERMINAL:
CONTACT AREA: GOLD 0.75 MICROMETER MINIMUM.
SOLDER TAIL AREA: PURE TIN 3.8 MICROMETER MINIMUM.
UNDER PLATING: NICKEL 1.25 MICROMETER MINIMUM.
SHIELD CASE:
PURE TIN 1~3 MICROMETER PLATING.
UNDER PLATING: NICKEL 1.0 MICROMETER MINIMUM.
3. TAIL & NAIL COPLANARITY 0.1mm MAXIMUM.
4. PRODUCT SPECIFICATION REFER TO PS-67803-001.
5. PACKAGING INFORMATION REFER TO PK-67503-001.



RECOMMENDED P.C.B. PATTERN LAYOUT

PART NUMBER 67503-1230

| | | | | | |
|---|---------|-------------------|-----------------|---|----------|
| THIS DRAWING CONTAINS INFORMATION THAT IS PROPRIETARY TO MOLEX ELECTRONIC TECHNOLOGIES, LLC AND SHOULD NOT BE USED WITHOUT WRITTEN PERMISSION | | CURRENT REV DESC: | | molex | |
| DIMENSION UNITS | SCALE | | | | |
| mm | NTS | | | USB SERIES MINI-B REC. REC. ASS'Y FOR SMT W/O BACKOVER&PEG(LEAD-FREE) | |
| GENERAL TOLERANCES (UNLESS SPECIFIED) | | | | PRODUCT CUSTOMER DRAWING | |
| ANGULAR TOL | ± 3.0 ° | | | DOCUMENT NUMBER | |
| 4 PLACES | ± | EC NO: 644146 | 2020/10/05 | SD-67503-011 | |
| 3 PLACES | ± | DRWN: PRADEA | 2021/05/26 | DOC TYPE | DOC PART |
| 2 PLACES | ± 0.25 | CHK'D: AYIN | 2021/05/26 | PSD | 001 |
| 1 PLACE | ± 0.25 | APPR: AYIN | 2021/05/26 | REVISION | |
| 0 PLACES | ± | INITIAL REVISION: | | C | |
| DRAFT WHERE APPLICABLE MUST REMAIN WITHIN DIMENSIONS | | DRWN: LXWANG | 2005/01/04 | | |
| THIRD ANGLE PROJECTION | | APPR: YTYAP | 2005/01/05 | | |
| DRAWING | | SERIES | MATERIAL NUMBER | CUSTOMER | |
| A3-SIZE | | 67503 | SEE TABLE | GENERAL MARKET | |
| | | | | SHEET NUMBER | |
| | | | | 1 OF 1 | |