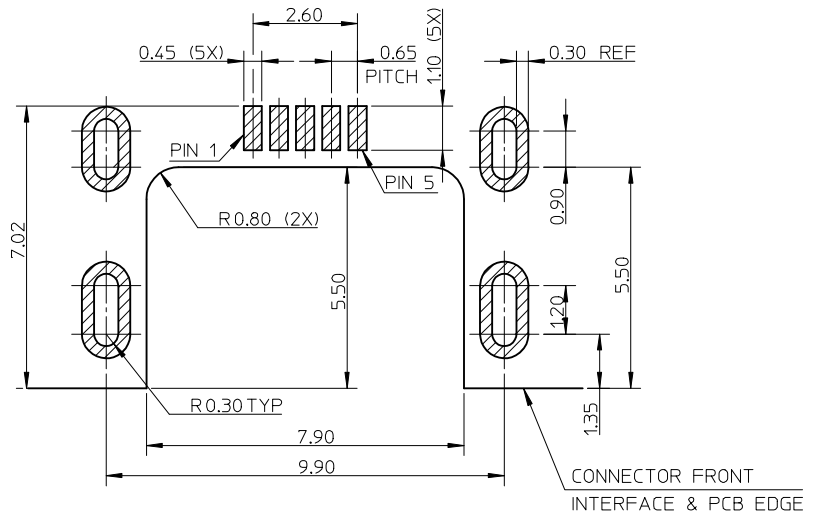
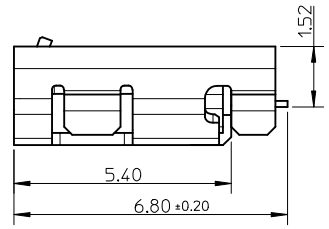
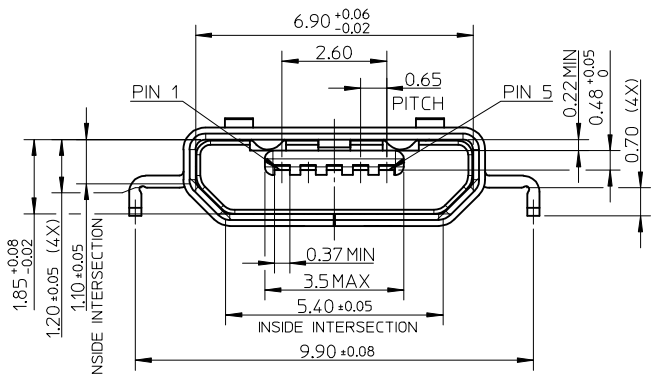
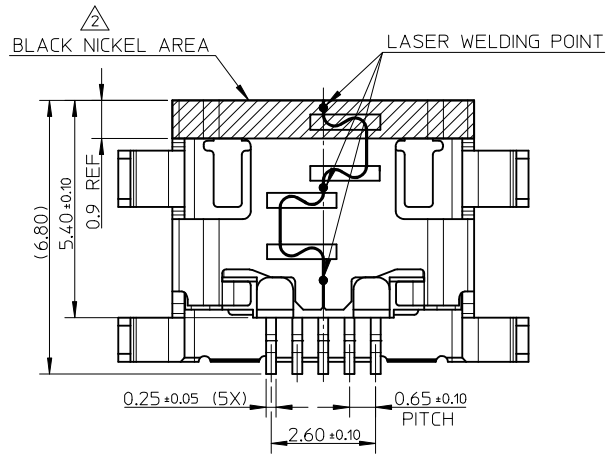


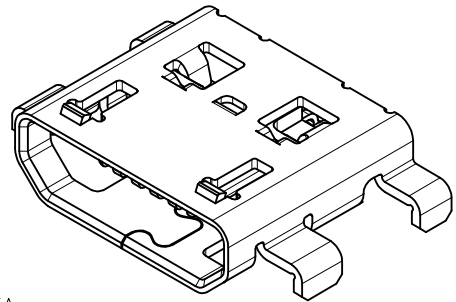
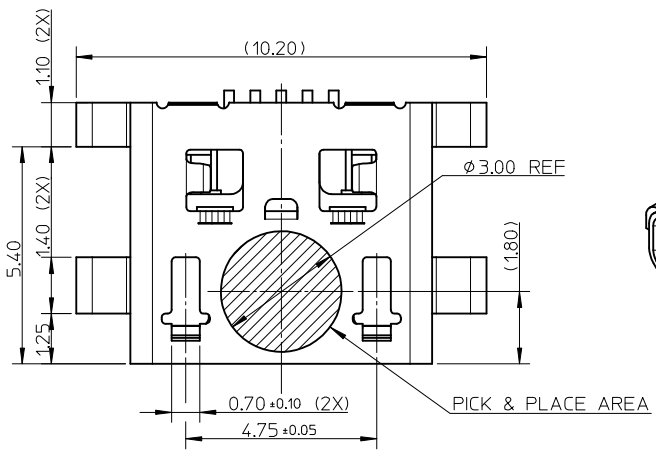
- NOTES:
- MATERIAL:
HOUSING: LCP, BLACK, UL94V-0;
TERMINAL: COPPER ALLOY, THICKNESS: 0.15mm;
SHELL: STAINLESS STEEL, THICKNESS: 0.30mm.
 - PLATING:
TERMINAL:
CONTACT AREA: GOLD FLASH OVER 0.75 MICRON MINIMUM Pd/Ni;
SOLDER TAIL AREA: GOLD FLASH; UNDER PLATING: NICKEL 2.0 MICRON MINIMUM.
SHELL:
1.27 MICRON MINIMUM NICKEL UNDER PLATING,
1.5 MICRON MINIMUM MATTE TIN PLATING OVERALL,
0.133 MICRON MINIMUM BLACK NICKEL SELECT PLATING FRONT PORTION,
NO BLACK NICKEL PLATING ON SOLDERING TABS.
 - TAIL & NAIL COPLANARITY 0.08mm MAXIMUM.
 - PRODUCT SPECIFICATION: PS-47642-001.
 - PACKAGING SPECIFICATION: PK-47642-001.
 - PRODUCT COMPLIANT TO RoHS DIRECTIVE 2002/95/EC AND ELV 2000/53/EC.



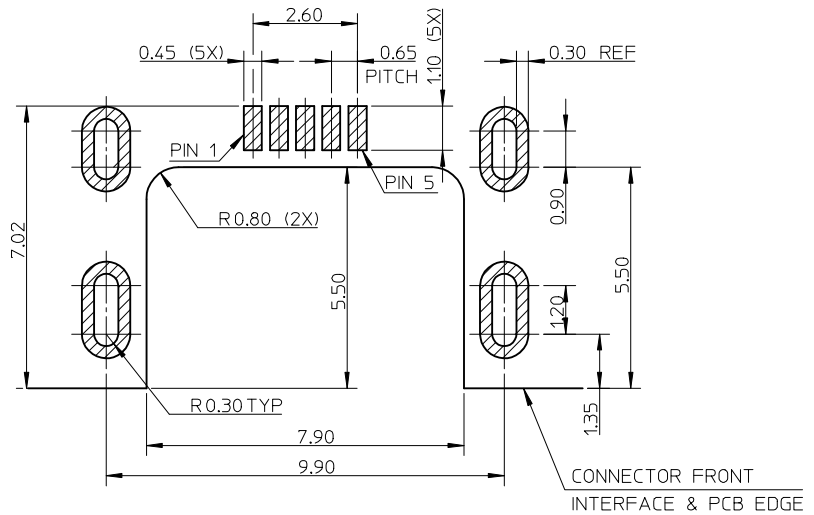
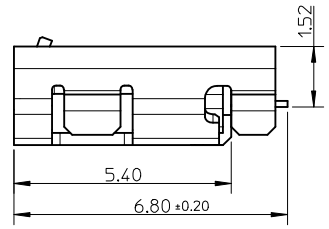
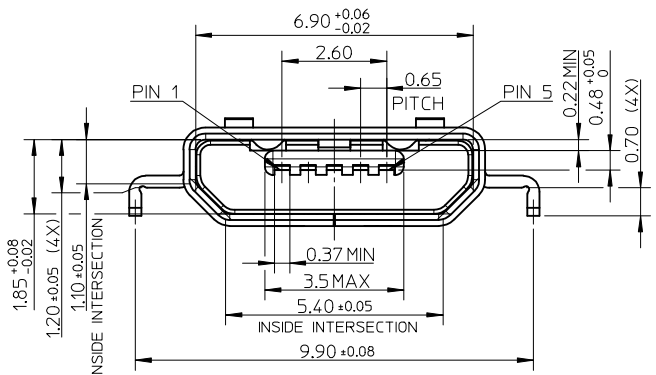
RECOMMENDED P.C.B. PATTERN LAYOUT
GENERAL TOLERANCE: ±0.05



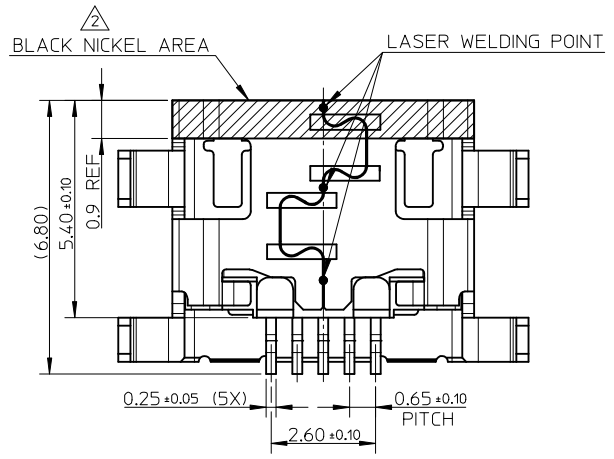
<p>NEW RELEASE EC NO: SH2014-0097 DRWN:XQZHANG 2013/09/02 CHKD:XQZHANG 2013/09/02 APPR:AYIN 2013/09/03</p>	QUALITY SYMBOLS	GENERAL TOLERANCES (UNLESS SPECIFIED)		DIMENSION STYLE	SCALE	DESIGN UNITS	THIRD ANGLE PROJECTION
	$F_A=0$	mm	INCH	MM ONLY	1:1	METRIC	
	$F_B=0$	4 PLACES ± --- ± ---	DRAWN BY XQZHANG	DATE 2013/03/18	TITLE	SALES DRAWING FOR USB MICRO-B, MID MOUNT BLACK NICKEL PLATING	
	$F_C=0$	3 PLACES ± --- ± ---	CHECKED BY XQZHANG	DATE 2013/03/18	<p>molex</p>		
$F_D=0$	2 PLACES ± 0.20 ± ---	APPROVED BY AYIN	DATE 2013/09/03	MATERIAL NO.			
	1 PLACE ± 0.25 ± ---	ANGULAR ± 3°		105248-1002	SD-105248-102	1 OF 1	
	0 PLACE ± --- ± ---	DRAFT WHERE APPLICABLE MUST REMAIN WITHIN DIMENSIONS		THIS DRAWING CONTAINS INFORMATION THAT IS PROPRIETARY TO MOLEX INCORPORATED AND SHOULD NOT BE USED WITHOUT WRITTEN PERMISSION			



- NOTES:
- MATERIAL:
HOUSING: LCP, BLACK, UL94V-0;
TERMINAL: COPPER ALLOY, THICKNESS: 0.15mm;
SHELL: STAINLESS STEEL, THICKNESS: 0.30mm.
 - PLATING:
TERMINAL:
CONTACT AREA: GOLD FLASH OVER 0.75 MICRON MINIMUM Pd/Ni;
SOLDER TAIL AREA: GOLD FLASH; UNDER PLATING: NICKEL 2.0 MICRON MINIMUM.
SHELL:
1.27 MICRON MINIMUM NICKEL UNDER PLATING,
1.5 MICRON MINIMUM MATTE TIN PLATING OVERALL,
0.133 MICRON MINIMUM BLACK NICKEL SELECT PLATING FRONT PORTION,
NO BLACK NICKEL PLATING ON SOLDERING TABS.
 - TAIL & NAIL COPLANARITY 0.08mm MAXIMUM.
 - PRODUCT SPECIFICATION: PS-47642-001.
 - PACKAGING SPECIFICATION: PK-47642-001.
 - PRODUCT COMPLIANT TO RoHS DIRECTIVE 2002/95/EC AND ELV 2000/53/EC.



RECOMMENDED P.C.B. PATTERN LAYOUT
GENERAL TOLERANCE: ±0.05



<p>NEW RELEASE EC NO: SH2014-0097 DRWN:XQZHANG 2013/09/02 CHKD:XQZHANG 2013/09/02 APPR:AYIN 2013/09/03</p>	QUALITY SYMBOLS	GENERAL TOLERANCES (UNLESS SPECIFIED)		DIMENSION STYLE MM ONLY		SCALE 1:1	DESIGN UNITS METRIC	THIRD ANGLE PROJECTION
	$F_A=0$	4 PLACES	mm	INCH	DRAWN BY XQZHANG	DATE 2013/03/18	TITLE SALES DRAWING FOR USB MICRO-B, MID MOUNT BLACK NICKEL PLATING	
	$F_B=0$	3 PLACES	± ---	± ---	CHECKED BY XQZHANG	DATE 2013/03/18	<p>molex</p>	
	$F_C=0$	2 PLACES	± 0.20	± ---	APPROVED BY AYIN	DATE 2013/09/03		
		1 PLACE	± 0.25	± ---	MATERIAL NO. 105248-1002		THIS DRAWING CONTAINS INFORMATION THAT IS PROPRIETARY TO MOLEX INCORPORATED AND SHOULD NOT BE USED WITHOUT WRITTEN PERMISSION	
		0 PLACE	± ---	± ---	ANGULAR ± 3°			
		DRAFT WHERE APPLICABLE MUST REMAIN WITHIN DIMENSIONS		SIZE A3				