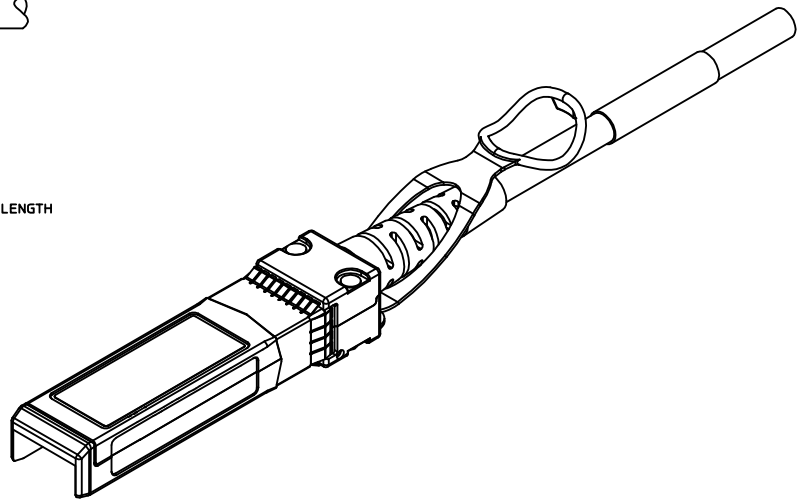


WIRING DIAGRAM

P1 END		P2 END	
PAD	SIGNAL	PAD	SIGNAL
12	RD-	19	TD-
13	RD+	18	TD+
18	TD+	13	RD+
19	TD-	12	RD-

- NOTES:
1. CUSTOM LENGTHS AND FEATURES AVAILABLE.
  2. SEE DATASHEET FOR MORE INFORMATION.
  3. MATERIALS  
 BACKSHELLS - NICKEL PLATED ZINC  
 DE-LATCH - NYLON  
 PCB - FR-4  
 RIVETS - STAINLESS STEEL
  4. IMPEDANCE - 100 OHMS DIFFERENTIAL, PASSIVE
  5. PULL TO RELEASE, PLUNGER STYLE LATCH
  6. EACH ASSEMBLY HAS A SERIAL ID
  7. 11.30 Gbps BACKWARDS COMPATIBLE TO 2.0 Gbps
  8. PACKAGING DRAWING IS RPK-111038-002
  9. RoHS COMPLIANT W/ EXEMPTIONS



PART NUMBER	AWG	EEPROM REV	LENGTH	TOLERANCE
1110381101	30	C	1.0M	±0.05M
1110381301	30	C	3.0M	±0.05M
1110381501	30	C	5.0M	±0.08M
1110381701	30	C	7.0M	±0.08M
1110389002	28	C	10.0M	±0.10M

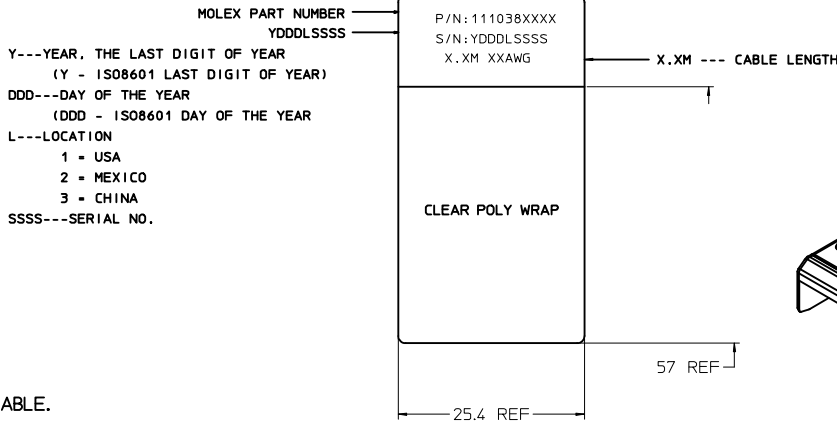
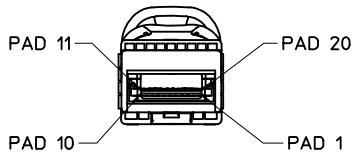
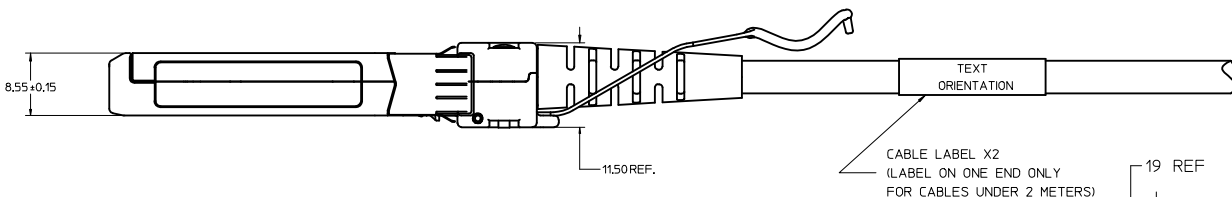
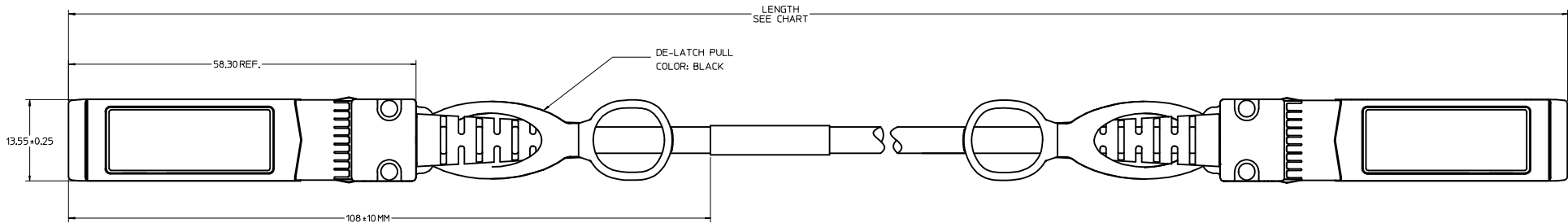
RoHS NOTE & RPK IEC NO: CPG2013-2128 DRAWN BY: DRWNGPEREZ 2012/10/19 CHKD BY: CHYKCHIRSHY 2013/01/07 APPR: RWHAN 2013/01/09	QUALITY SYMBOLS ∇=0 ∇=0 ∇=0	GENERAL TOLERANCES (UNLESS SPECIFIED): mm INCH 4 PLACES +--- +--- 3 PLACES +--- +--- 2 PLACES +--- +--- 1 PLACE +--- +--- 0 PLACE +--- +---	DIMENSION STYLE MM ONLY DRAWN BY: KLOYD DATE: 2008/08/08 CHECKED BY: DATE GBWALZ 2008/08/08 APPROVED BY: DATE GBWALZ 2008/08/08	SCALE 3:1 DESIGN UNITS METRIC THIRD ANGLE PROJECTION	TITLE SFP+ 10G ACTIVE CABLE ASSEMBLY W/ EQUALIZATION AND PRE-EMPHASIS
		ANGULAR ±--- DRAFT WHERE APPLICABLE MUST REMAIN WITHIN DIMENSIONS	MATERIAL NO. SEE CHART	DOCUMENT NO. SD-111038-001	SHEET NO. 1 OF 2
		THIS DRAWING CONTAINS INFORMATION THAT IS PROPRIETARY TO MOLEX INCORPORATED AND SHOULD NOT BE USED WITHOUT WRITTEN PERMISSION			
		MoLEX			

REVISION HISTORY

DATE	REV	DESCRIPTION
2012/12/19	J	ADDED REV HISTORY TABLE. UPDATED RoHS NOTE. ADDED PACKAGING DRAWING NOTE. REMOVED ESD BAG DRAWING.

<b>RoHS NOTE &amp; RPK</b> IEC NO: CPG2013-228 J DRW:KPEREZ 2012/12/19 CHYD:GHIRSCHY 2013/01/07 APPR:RMK/AN 2013/01/09	QUALITY SYMBOLS ▽=0 ▽=0 ▽=0	GENERAL TOLERANCES (UNLESS SPECIFIED)		DIMENSION STYLE <b>MM ONLY</b>	SCALE <b>1:1</b>	DESIGN UNITS <b>METRIC</b>	THIRD ANGLE PROJECTION		
		4 PLACES ±--- ±--- 3 PLACES ±--- ±--- 2 PLACES ±--- ±--- 1 PLACE ±--- ±--- 0 PLACE ±--- ±---	mm      INCH	DRAWN BY KLLOYD	DATE 2008/08/08	TITLE <b>SFP+ 10G ACTIVE CABLE ASSEMBLY W/ EQUALIZATION AND PRE-EMPHASIS</b>			
		ANGULAR ±---° DRAFT WHERE APPLICABLE MUST REMAIN WITHIN DIMENSIONS		CHECKED BY GBWALZ	DATE 2008/08/08	APPROVED BY GBWALZ      2008/08/08			
		MATERIAL NO. <b>SEE SHEET 1</b>		DOCUMENT NO. <b>SD-111038-001</b>		SHEET NO. <b>2 OF 2</b>		SIZE <b>D</b>	

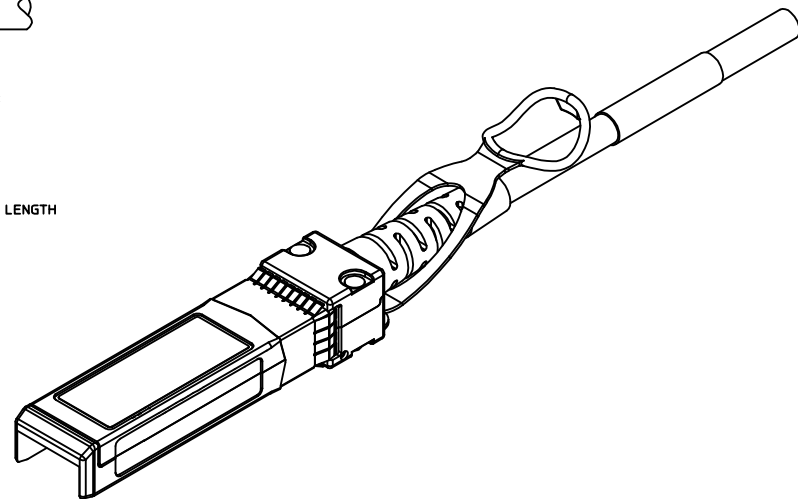
THIS DRAWING CONTAINS INFORMATION THAT IS PROPRIETARY TO MOLEX INCORPORATED AND SHOULD NOT BE USED WITHOUT WRITTEN PERMISSION



WIRING DIAGRAM

P1 END		P2 END	
PAD	SIGNAL	PAD	SIGNAL
12	RD-	19	TD-
13	RD+	18	TD+
18	TD+	13	RD+
19	TD-	12	RD-

- NOTES:
1. CUSTOM LENGTHS AND FEATURES AVAILABLE.
  2. SEE DATASHEET FOR MORE INFORMATION.
  3. MATERIALS  
BACKSHELLS - NICKEL PLATED ZINC  
DE-LATCH - NYLON  
PCB - FR-4  
RIVETS - STAINLESS STEEL
  4. IMPEDANCE - 100 OHMS DIFFERENTIAL, PASSIVE
  5. PULL TO RELEASE, PLUNGER STYLE LATCH
  6. EACH ASSEMBLY HAS A SERIAL ID
  7. 11.30 Gbps BACKWARDS COMPATIBLE TO 2.0 Gbps
  8. PACKAGING DRAWING IS RPK-111038-002
  9. RoHS COMPLIANT W/ EXEMPTIONS



PART NUMBER	AWG	EEPROM REV	LENGTH	TOLERANCE
1110381101	30	C	1.0M	±0.05M
1110381301	30	C	3.0M	±0.05M
1110381501	30	C	5.0M	±0.08M
1110381701	30	C	7.0M	±0.08M
1110389002	28	C	10.0M	±0.10M

<b>RoHS NOTE &amp; RPK</b> IEC NO: CPG2013-2128 DRAWN BY: DRWNGPEREZ 2012/10/19 CHECKED BY: CHYKCHIRSHY 2013/01/07 APPROVED BY: APPR:RWKJAN 2013/01/09 REV DESCRIPTION	QUALITY SYMBOLS	GENERAL TOLERANCES (UNLESS SPECIFIED)	DIMENSION STYLE	SCALE	DESIGN UNITS	THIRD ANGLE PROJECTION	
	▽=0	mm INCH	MM ONLY	3:1	METRIC	☉	
	▽=0	4 PLACES +--- +--- 3 PLACES +--- +--- 2 PLACES +--- +--- 1 PLACE +--- +--- 0 PLACE +--- +---	DRAFT WHERE APPLICABLE MUST REMAIN WITHIN DIMENSIONS	DATE	DATE	DATE	
	▽=0	ANGULAR ±--- ±---	MATERIAL NO.	DATE	DATE	DATE	
SEE CHART THIS DRAWING CONTAINS INFORMATION THAT IS PROPRIETARY TO MOLEX INCORPORATED AND SHOULD NOT BE USED WITHOUT WRITTEN PERMISSION			DOCUMENT NO. SD-111038-001		SHEET NO. 1 OF 2		

REVISION HISTORY

DATE	REV	DESCRIPTION
2012/12/19	J	ADDED REV HISTORY TABLE. UPDATED RoHS NOTE. ADDED PACKAGING DRAWING NOTE. REMOVED ESD BAG DRAWING.

<b>RoHS NOTE &amp; RPK</b> IEC NO: CPG2013-228 J DRW:PEREZ 2012/12/19 CHYD:HIRSCHY 2013/01/07 APPR:RMK:KAN 2013/01/09	QUALITY SYMBOLS ▽=0 ▽=0 ▽=0	GENERAL TOLERANCES (UNLESS SPECIFIED)		DIMENSION STYLE <b>MM ONLY</b>	SCALE <b>1:1</b>	DESIGN UNITS <b>METRIC</b>	THIRD ANGLE PROJECTION		
		4 PLACES ±---+--- 3 PLACES ±---+--- 2 PLACES ±---+--- 1 PLACE ±---+--- 0 PLACE ±---+---	mm INCH	DRAWN BY KLLOYD	DATE 2008/08/08	TITLE <b>SFP+ 10G ACTIVE CABLE ASSEMBLY W/ EQUALIZATION AND PRE-EMPHASIS</b>			
		ANGULAR ±---° DRAFT WHERE APPLICABLE MUST REMAIN WITHIN DIMENSIONS		CHECKED BY GBWALZ	DATE 2008/08/08	APPROVED BY GBWALZ 2008/08/08			
		MATERIAL NO. <b>SEE SHEET 1</b>		DOCUMENT NO. <b>SD-111038-001</b>		SHEET NO. <b>2 OF 2</b>			

THIS DRAWING CONTAINS INFORMATION THAT IS PROPRIETARY TO MOLEX INCORPORATED AND SHOULD NOT BE USED WITHOUT WRITTEN PERMISSION