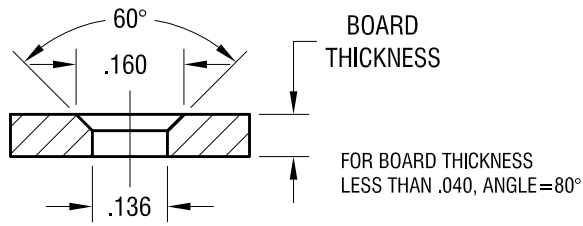
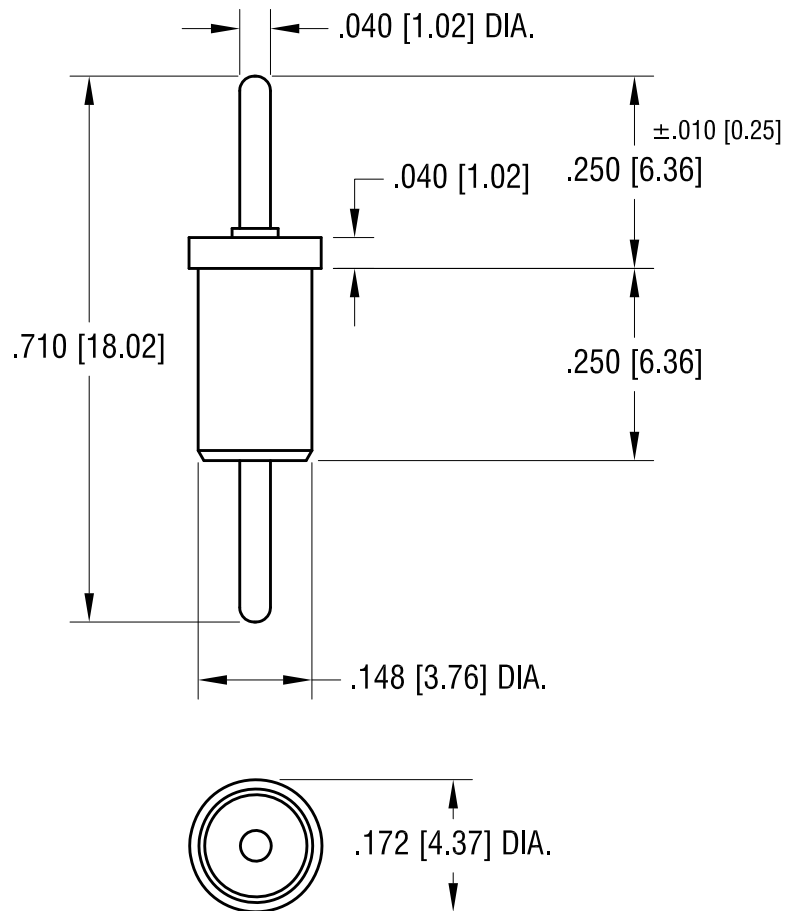


THIS DOCUMENT IS THE PROPERTY OF  
KEYSTONE ELECTRONICS CORP. AND  
SHALL NOT BE REPRODUCED, DISTRIBUTED  
OR USED AS A BASIS FOR MANUFACTURE  
WITHOUT PRIOR WRITTEN PERMISSION  
FROM KEYSTONE ELECTRONICS CORP.

**MOUNTING DETAIL**



**ACTUAL SIZE**



**NOTES:**

1. PIN: MAT'L - BRASS  
FINISH: TIN
2. BUSHING: MAT'L - PTFE (TEFLON)  
COLOR: WHITE

|   |                 |        |              |
|---|-----------------|--------|--------------|
| <b>KEYSTONE ELECTRONICS CORP.</b>                               |                 |        |              |
| www.keyelco.com • ASTORIA, N.Y. 11105-2017 • Tel (718) 956-8900 |                 |        |              |
| PART NAME   |                 |        |              |
| PTFE INSULATED TERMINAL   |                 |        |              |
| MATERIAL  |                 |        |              |
| AS NOTED  |                 |        |              |
| FINISH  |                 | DRN BY | DATE         |
| AS NOTED  |                 | N.T.   | 11.09.07     |
|   |                 | APP'D  | SCALE        |
|   |                 | LN     | 4X           |
| TOLERANCES  | INCH [MM]       | CODE   | DWG NO.      |
| DECIMAL   | ± .005 [± 0.13] | C      | <b>11157</b> |
| ANGULAR   | ± 1°            |        |              |
| UNLESS OTHERWISE SPECIFIED                                      |                 |        |              |

|      |             |      |  |
|------|-------------|------|--|
| DATE | DESCRIPTION | REV. |  |
|------|-------------|------|--|