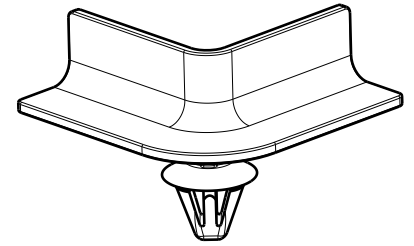
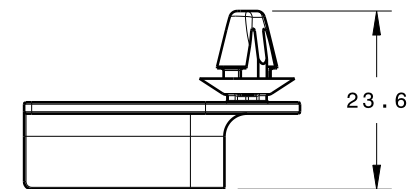
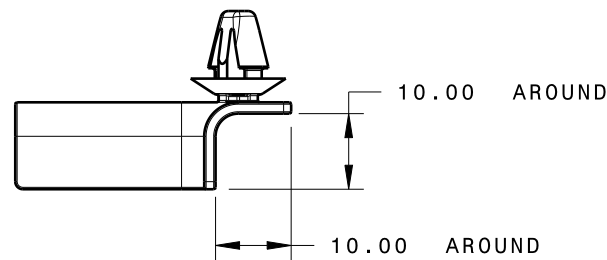
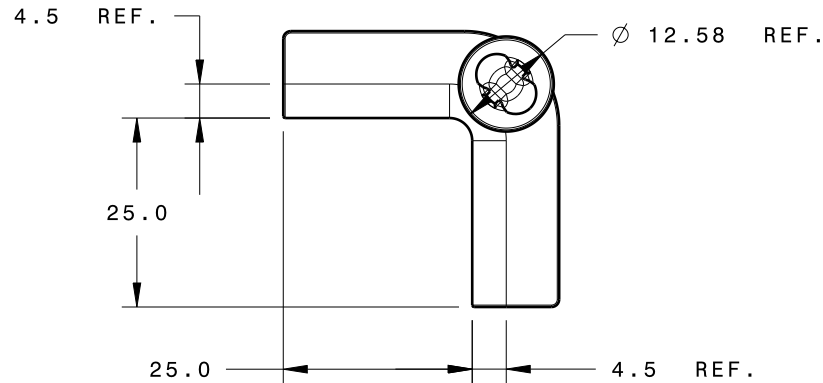


REFERENCE:

1. SHEET METAL THICKNESS RANGE: 1.0mm - 1.5mm
2. HOLE SIZE RANGE: 6.2 - 6.8mm



Isometric view



INVENTORS

HellermannTyton®

ALL PROPRIETARY RIGHTS IN THE SUBJECT MATTER SHOWN ON THIS DRAWING ARE EXCLUSIVE PROPERTY OF HELLERMANN TYTON

name	date	city, state
S. ADAMS	3/30/11	MENOMONEE FALLS, WI.

REVISIONS

REV	level	by	date	ECN #	part level
01		SJA	3/22/12	012056	A

DIMENSIONS

TOLERANCES	units
.XXXX = ± 0.25	millimeters
.XXX = ± 0.50	
.XX = ± 0.75	
.X = ± 1.00	
∠ = ± 1.00	
unless otherwise specified	

PART

number	BC90AH2	phase	PRODUCTION
name			
90 DEGREE BUNDLING CHANNEL WITH ARROWHEAD			
material			
NYLON 6/6 HIRHS COLOR: BLACK			

DRAWING

FORMAT	AH	CAD	CATIA V5	SCALE	1:1
VERSION	J	previous drawing number			
A- SIZE (landscape)_N01					
drawn	S. ADAMS	checked	A. CLARK	approved	
	3/30/11		10/18/11		
type	CUSTOMER		sheet 1 of 1		
number	12-0303-001-CSU				