

# Flush-type connector - SACC-DSI-M12MS-5CON-PG9/0,5 - 1514870

Please be informed that the data shown in this PDF Document is generated from our Online Catalog. Please find the complete data in the user's documentation. Our General Terms of Use for Downloads are valid (<http://phoenixcontact.com/download>)



Sensor/actuator panel-mount connector, 5-pos., M12, A-coded, rear/screw mounting with Pg9 thread, with 0.5 m PVC litz wire, 5x 0.34 mm<sup>2</sup>

RoHS

## Key Commercial Data

Packing unit	1 pc
GTIN	
GTIN	4017918923167

## Technical data

### Dimensions

Length of cable	0.5 m
-----------------	-------

### Ambient conditions

Ambient temperature (operation)	-25 °C ... 85 °C (Plug / socket)
Degree of protection	IP67

### General

Rated current at 40°C	4 A
Rated voltage	60 V
Rated surge voltage	1.5 kV
Number of positions	5
Insulation resistance	≥ 100 MΩ
Coding	A - standard
Status display	No
Overvoltage category	II
Degree of pollution	3
Connection method	Individual wires

### Material

# Flush-type connector - SACC-DSI-M12MS-5CON-PG9/0,5 - 1514870

## Technical data

### Material

Flammability rating according to UL 94	HB
Contact material	CuZn
Contact surface material	Au
Contact carrier material	PA 6.6
Material, knurls	Zinc die-cast, nickel-plated
Sealing material	NBR

### Cable

Cable type	TPE litz wire
Conductor cross section	0.34 mm <sup>2</sup>
AWG signal line	22
Conductor structure signal line	7x 0.25 mm
Core diameter including insulation	1.2 mm ±0.07 mm
Thickness, insulation	0.21 mm
Wire colors	Black, brown, blue, white, gray
Material conductor insulation	TPE
Conductor material	Tin-plated Cu litz wires
Insulation resistance	≥ 20 MΩ*km
Conductor resistance	≤ 57.6 mΩ/m
Nominal voltage, cable	300 V
Test voltage, cable	2000 V AC
Ambient temperature (operation)	-25 °C ... 90 °C (cable, fixed installation)

### Standards and Regulations

Connection in acc. with standard	CUL
Flammability rating according to UL 94	HB

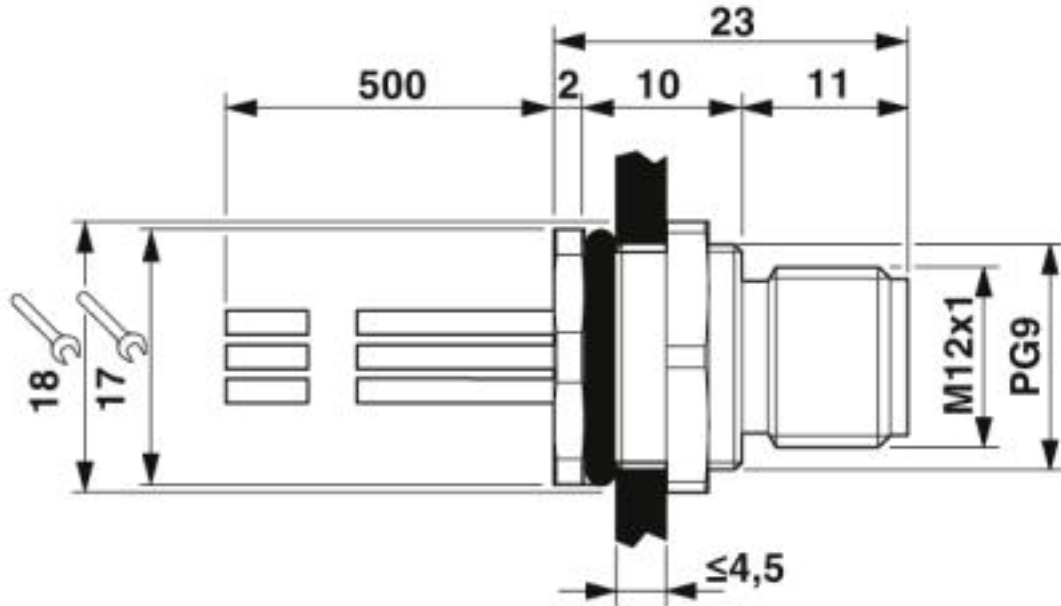
### Environmental Product Compliance

China RoHS	Environmentally Friendly Use Period = 25;
	For details about hazardous substances go to tab "Downloads", Category "Manufacturer's declaration"

## Drawings

# Flush-type connector - SACC-DSI-M12MS-5CON-PG9/0,5 - 1514870

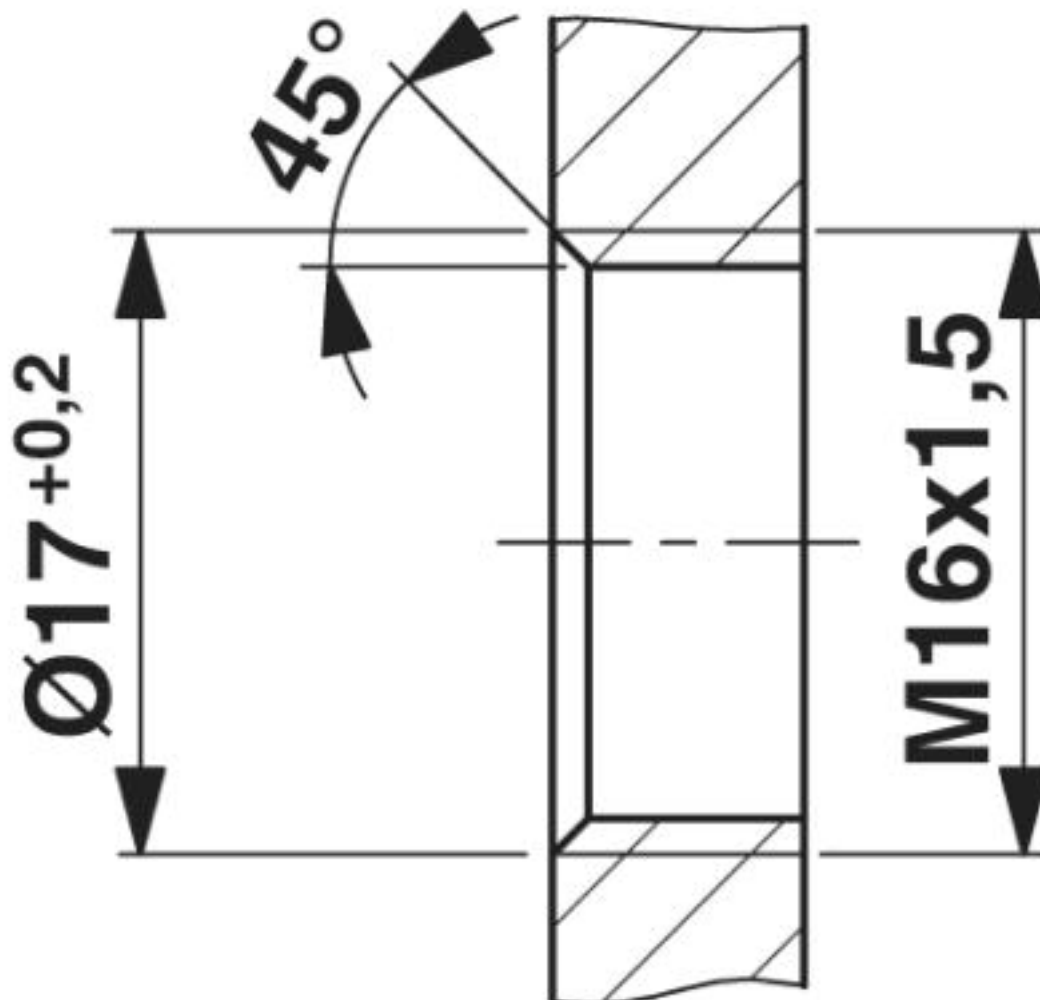
Dimensional drawing



M12 flush-type connector

# Flush-type connector - SACC-DSI-M12MS-5CON-PG9/0,5 - 1514870

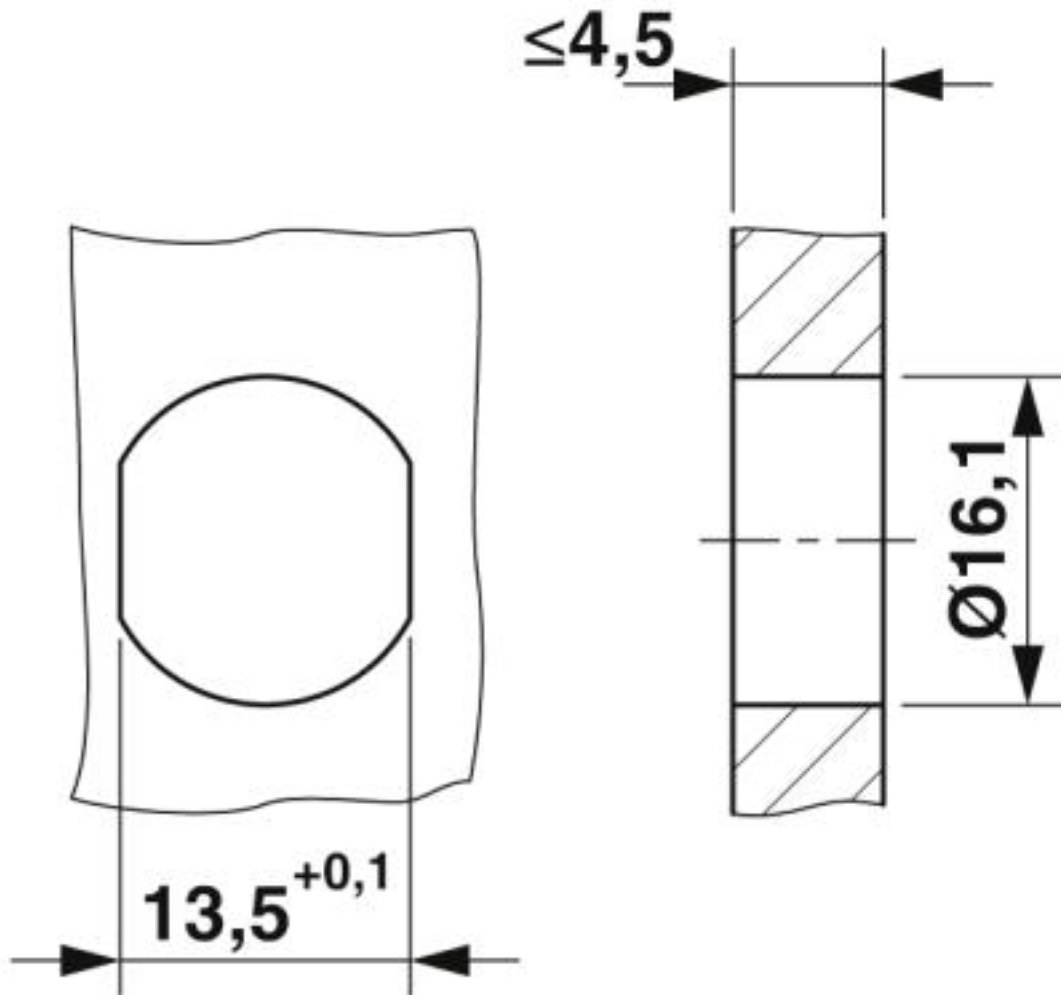
Dimensional drawing



Housing cutout for M16 fastening thread, mounting panel with thread

# Flush-type connector - SACC-DSI-M12MS-5CON-PG9/0,5 - 1514870

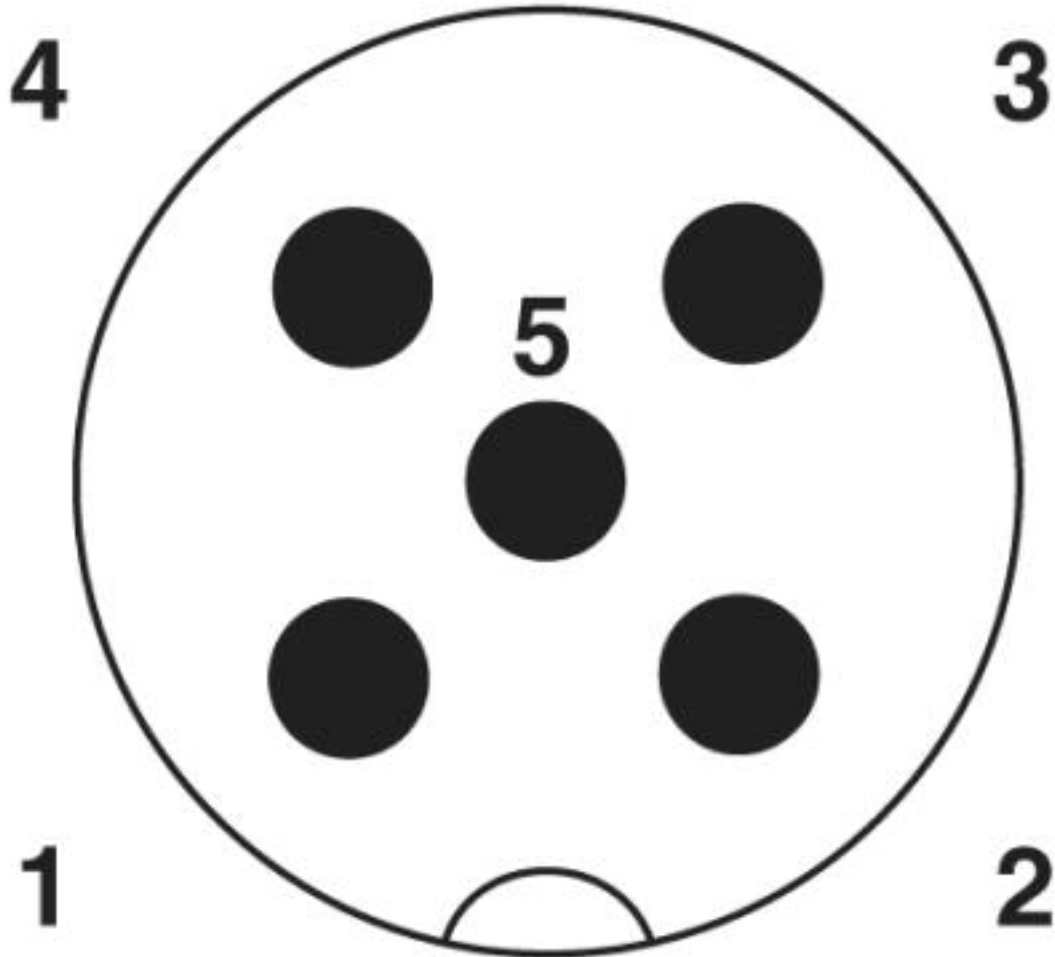
Dimensional drawing



Housing cutout for M16 fastening thread, mounting panel with feed-through hole (alternatively with area as anti-rotation protection for panel thicknesses > 2 mm up to max. 4.5 mm)

# Flush-type connector - SACC-DSI-M12MS-5CON-PG9/0,5 - 1514870

Schematic diagram



Pin assignment M12 male connector, 5-pos., A-coded, male side

## Approvals

Approvals

---

Approvals

UL Recognized / cUL Recognized / EAC / EAC / cULus Recognized

---

Ex Approvals

---

Approval details

# Flush-type connector - SACC-DSI-M12MS-5CON-PG9/0,5 - 1514870

## Approvals

UL Recognized		<a href="http://database.ul.com/cgi-bin/XYV/template/LISEXT/1FRAME/index.htm">http://database.ul.com/cgi-bin/XYV/template/LISEXT/1FRAME/index.htm</a>	FILE E 221474
Nominal voltage UN		60 V	
Nominal current IN		4 A	

cUL Recognized		<a href="http://database.ul.com/cgi-bin/XYV/template/LISEXT/1FRAME/index.htm">http://database.ul.com/cgi-bin/XYV/template/LISEXT/1FRAME/index.htm</a>	FILE E 221474
Nominal voltage UN		60 V	
Nominal current IN		4 A	

EAC		B.01742
-----	--	---------

EAC		B.00767
-----	--	---------

cULus Recognized	
------------------	--

Phoenix Contact 2019 © - all rights reserved  
<http://www.phoenixcontact.com>

PHOENIX CONTACT GmbH & Co. KG  
Flachsmarktstr. 8  
32825 Blomberg  
Germany  
Tel. +49 5235 300  
Fax +49 5235 3 41200  
<http://www.phoenixcontact.com>