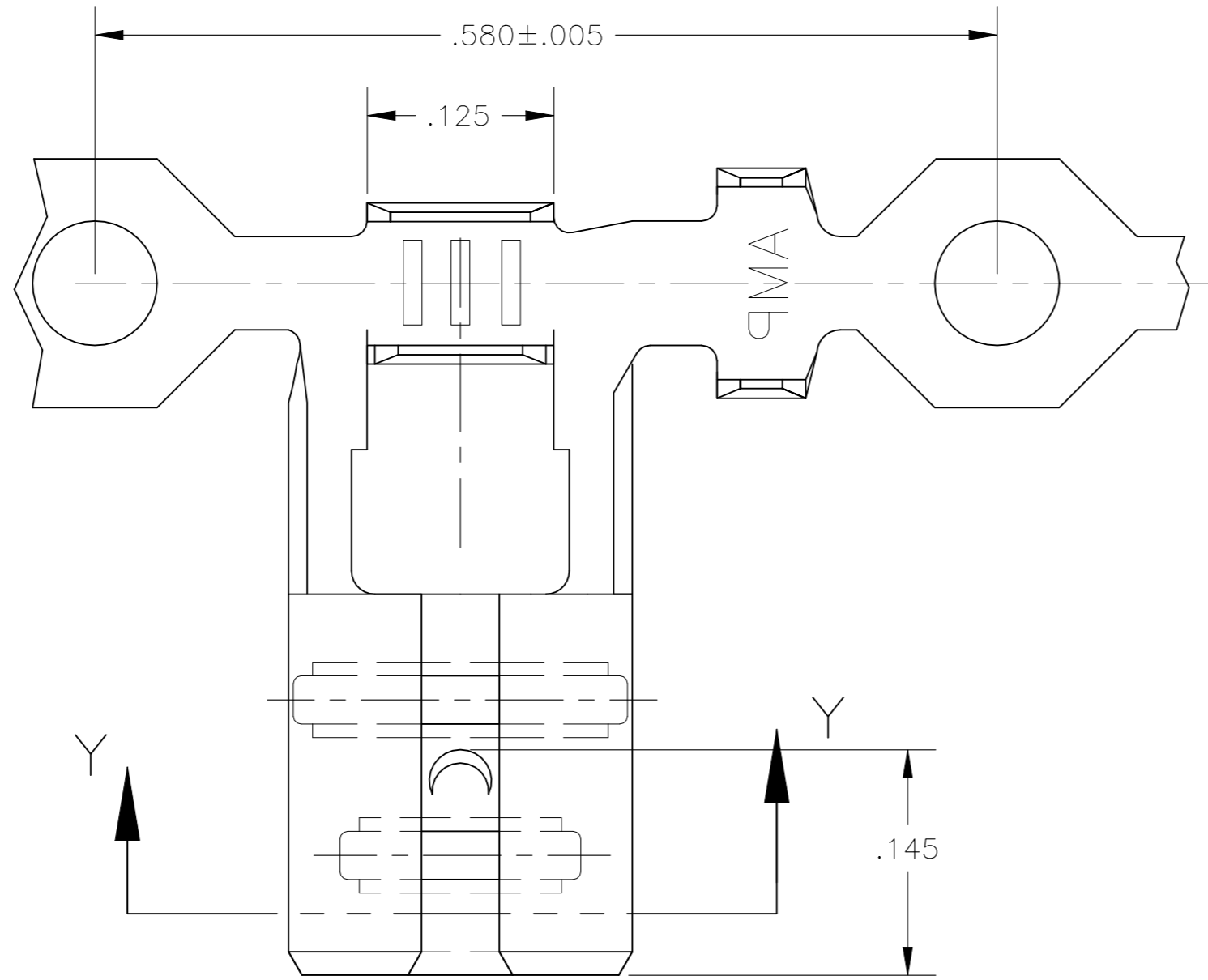
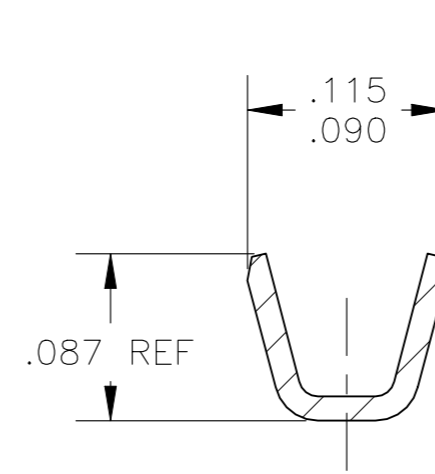


THIS DRAWING IS UNPUBLISHED. RELEASED FOR PUBLICATION
 © COPYRIGHT - By - ALL RIGHTS RESERVED.

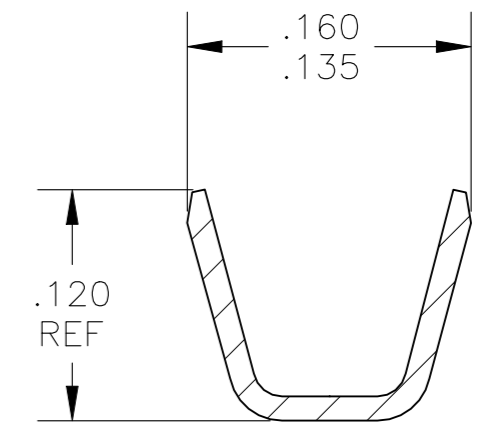
LOC	DIST	REVISIONS			
P	LTR	DESCRIPTION	DATE	DWN	APVD
AF	14				
	D2	REVISED PER ECR-20-100879	25MAR2021	BDA	AF



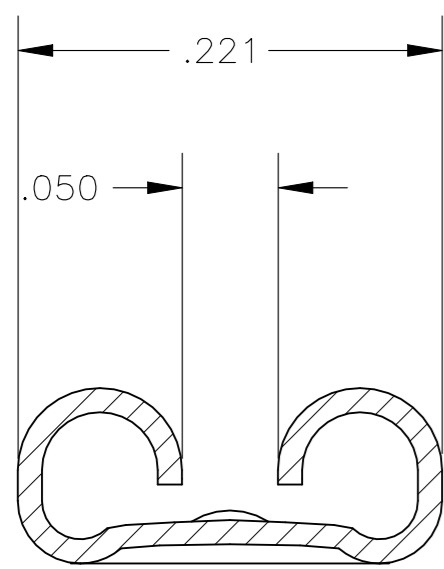
- 1 CONTINUOUS STRIP ON REELS
- 2 WIRE SIZE IS 22-18 AWG
- 3 INSULATION RANGE IS .060-.110 DIA.
- 4 MATING TAB THK IS .032±.001
- 5 PACKAGING REEL O.D. IS 14.000 (REF.)
- 6 UL APPROVAL PENDING



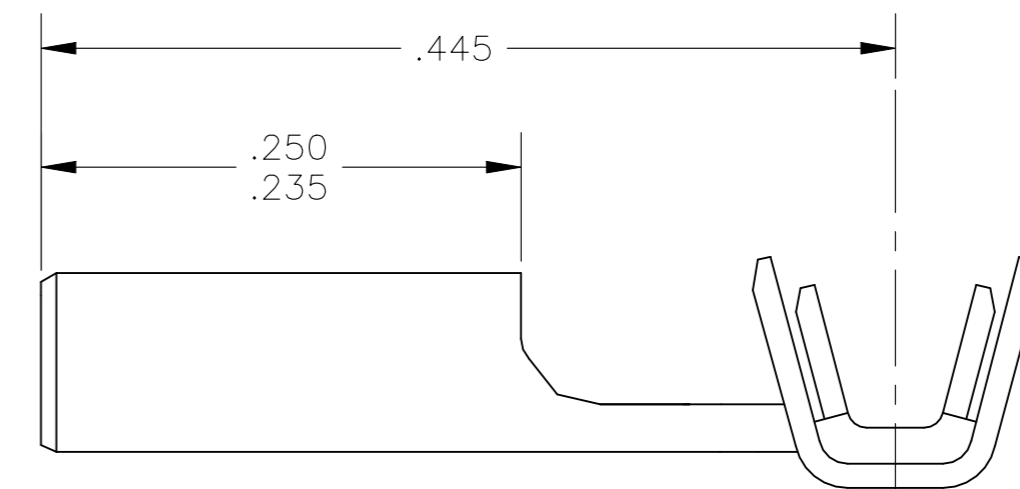
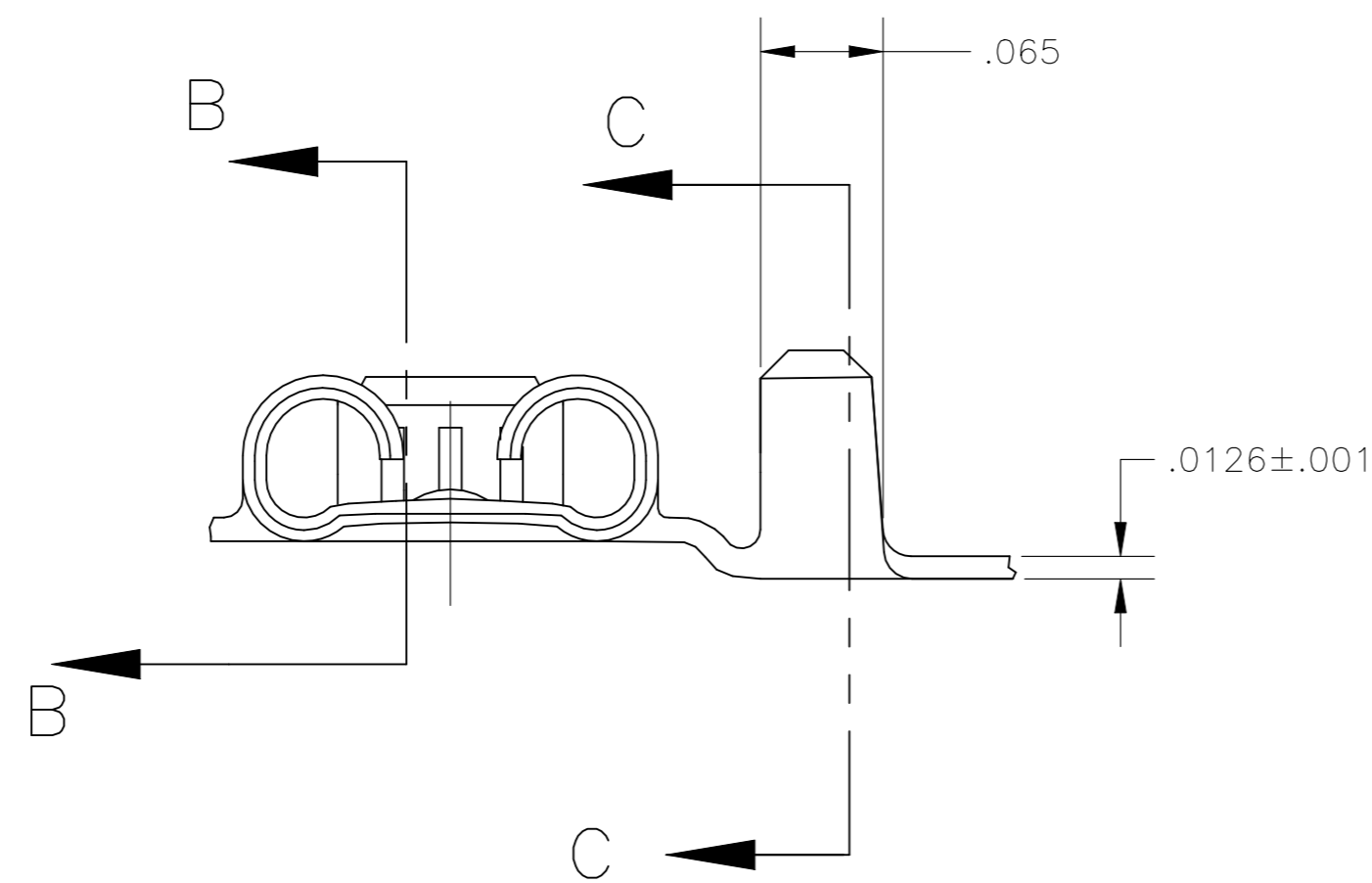
SECTION B-B



SECTION C-C



SECTION Y-Y



6	5	PLAIN	1742087-3
		TIN	1742087-2
		PLAIN	1742087-1
		FINISH	PART NO

THIS DRAWING IS A CONTROLLED DOCUMENT.		DWN	JR RUTH	04mar04	 TE Connectivity		
DIMENSIONS:		CHK	P DESANTIS	04MAR04			
INCHES		APVD	P DESANTIS	04MAR04			
		PRODUCT SPEC	NAME				
TOLERANCES UNLESS OTHERWISE SPECIFIED:		APPLICATION SPEC	114-2079		SIZE	A2	
0 PLC	± -	WEIGHT	-		CAGE CODE	00779	
1 PLC	± -	CUSTOMER DRAWING		SCALE	10:1	SHEET	1 of 1
2 PLC	± -			REV	D2		
3 PLC	± .010						
4 PLC	± -						
ANGLES	± 2°						
MATERIAL	BRASS	FINISH	SEE TABLE				