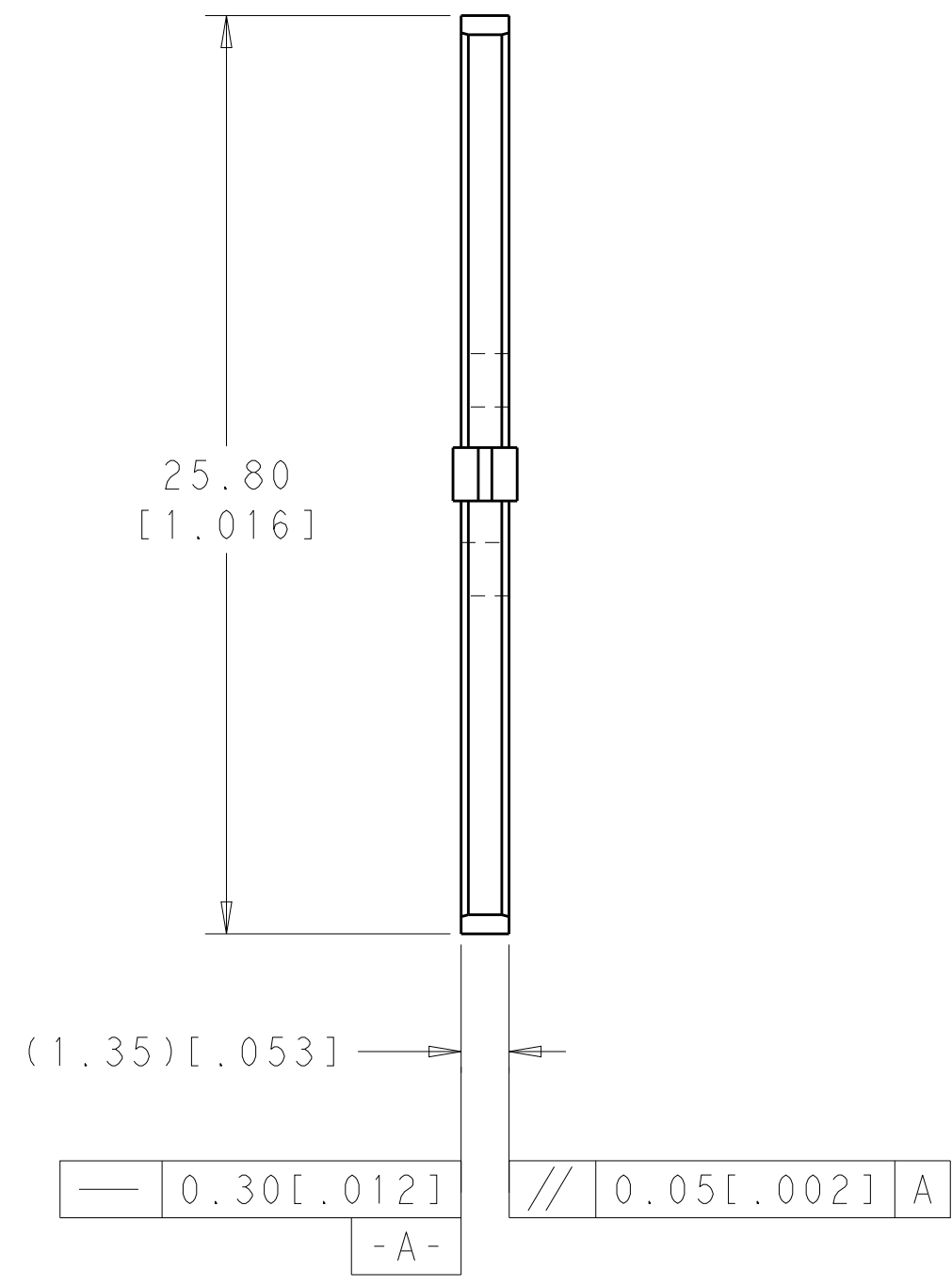
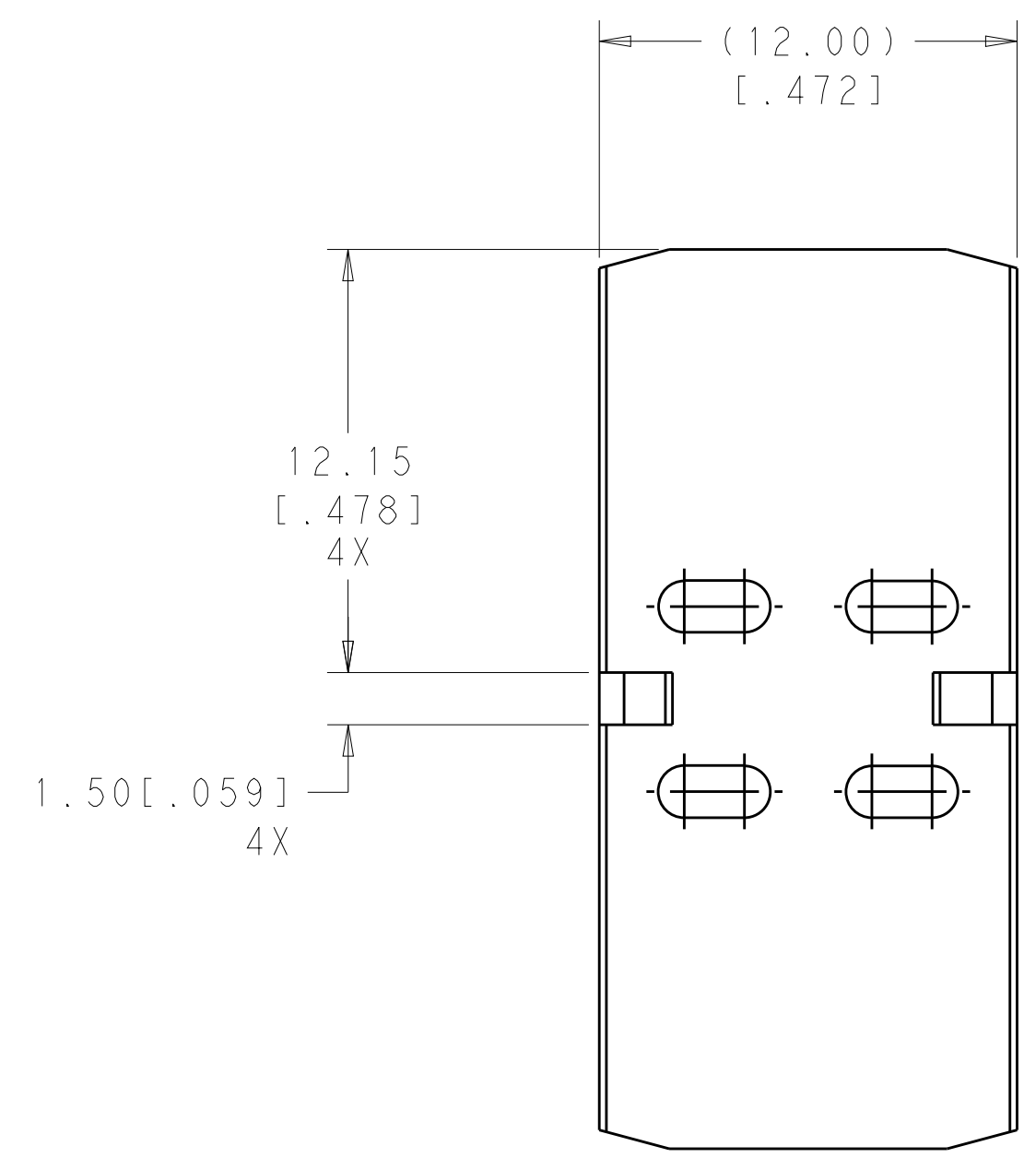
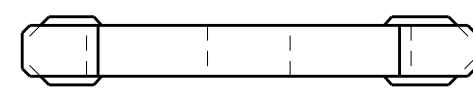


THIS DRAWING IS UNPUBLISHED. RELEASED FOR PUBLICATION 20
 © COPYRIGHT 20 BY - ALL RIGHTS RESERVED.

LOC	DIST	REVISIONS			
P	LTR	DESCRIPTION	DATE	DWN	APVD
GE	45	A	INITIAL RELEASE	10MAY2013	DD TB

1. ALL RADII 0.40[.016] UNLESS OTHERWISE SPECIFIED.
2. DIMENSIONS IN BRACKETS ARE IN INCHES.



AS SHOWN	212866-1
DESCRIPTION	TE PART NUMBER

THIS DRAWING IS A CONTROLLED DOCUMENT.		DWN D. DRUMMOND 10MAY2013	TE Connectivity	
DIMENSIONS: mm [INCHES]		CHK T. BANAS 10MAY2013		
TOLERANCES UNLESS OTHERWISE SPECIFIED:		APVD T. BANAS 10MAY2013	NAME SPACER, 10 POSITION, FREE HANGING	
0 PLC ±-	1 PLC ±-	PRODUCT SPEC	SIZE	CAGE CODE
2 PLC ±0.10 [.004]	3 PLC ±-	APPLICATION SPEC	A200779	C-212866
4 PLC ±-	ANGLES ±-	WEIGHT	SCALE	SHEET
MATERIAL	FINISH	Customer Drawing	5:1	1 OF 1
				REV A