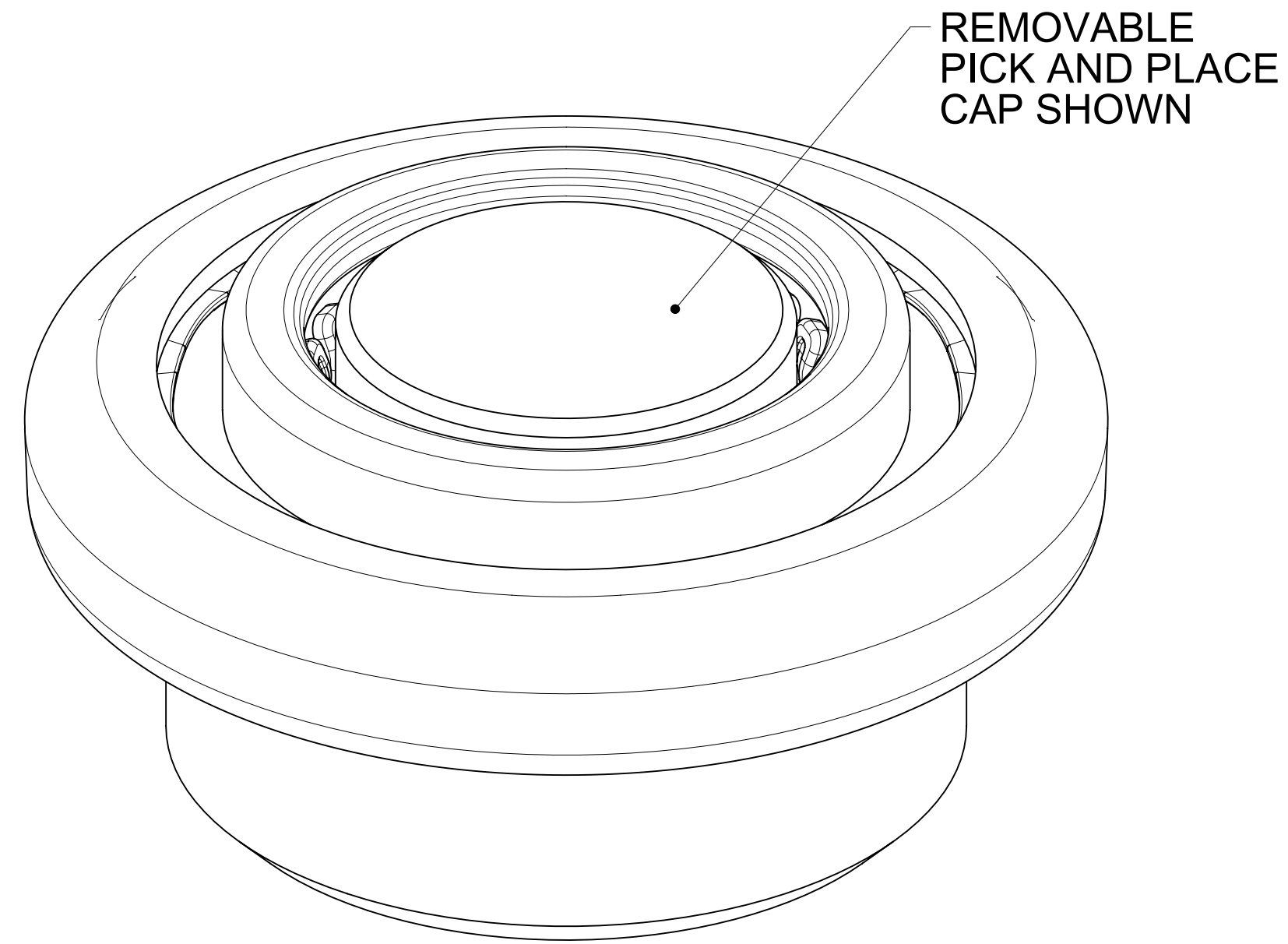
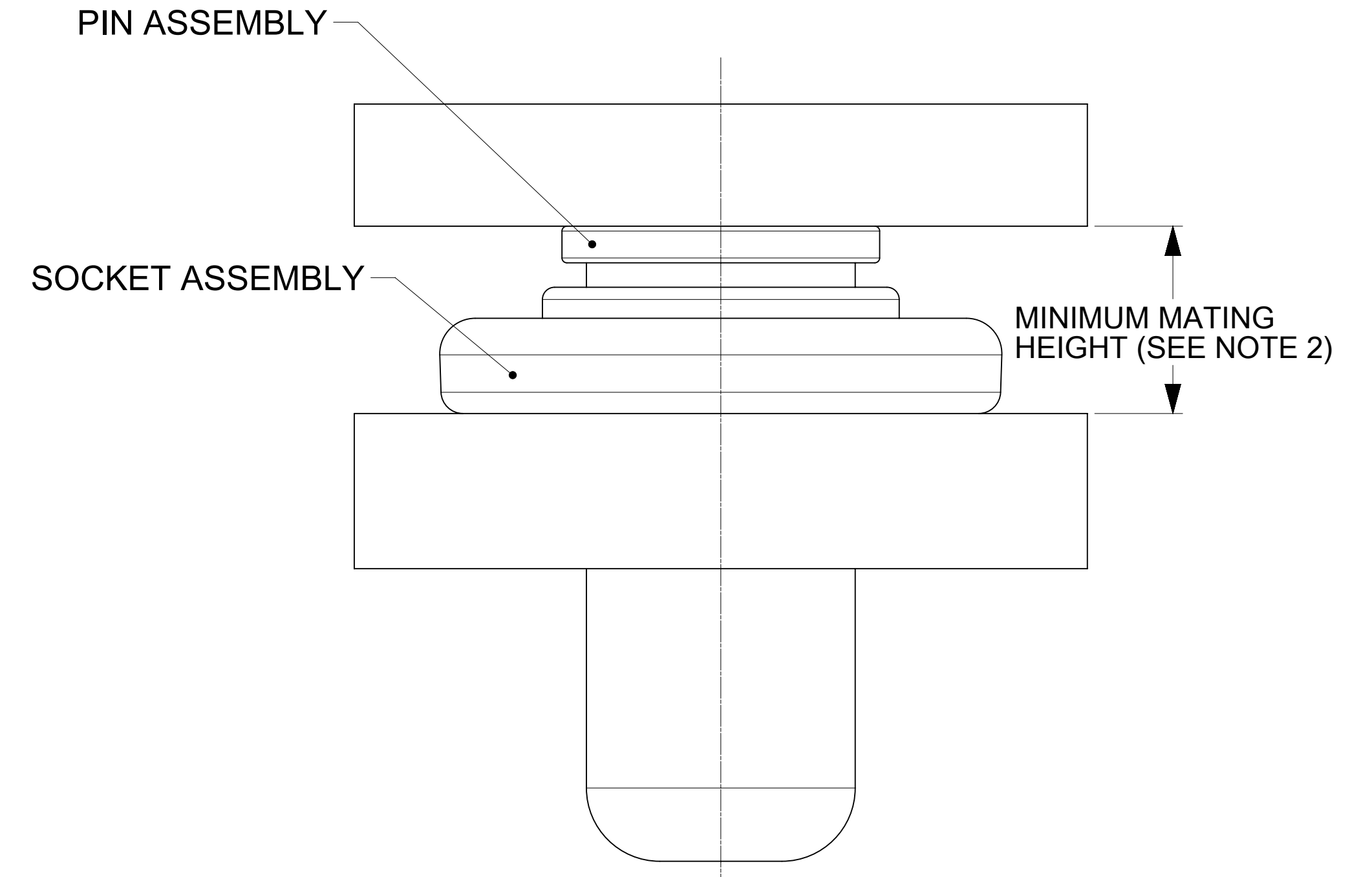
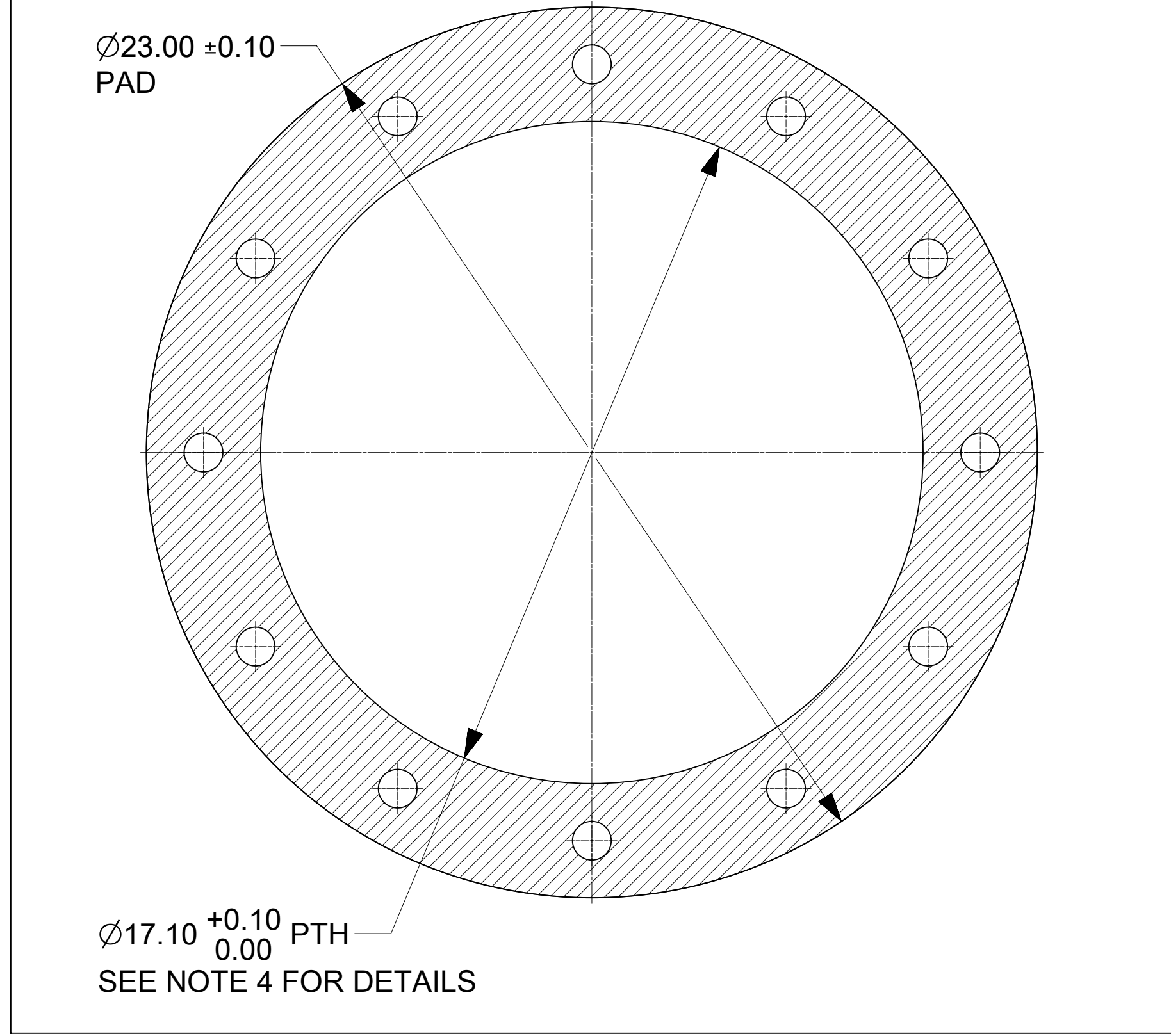


PART NUMBER	DIM "H"	NOTE
213880-0001	5.17 ± 0.3	



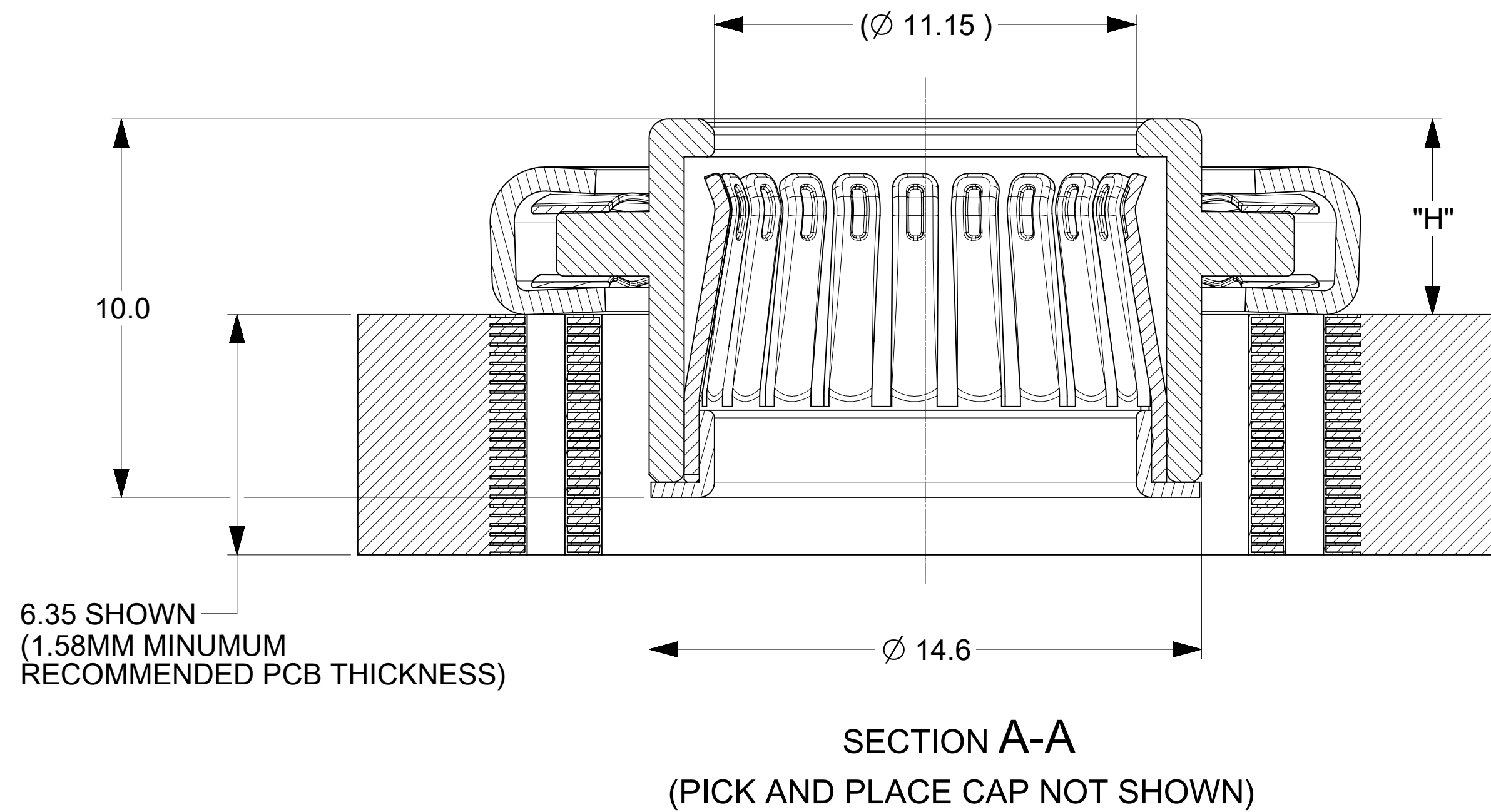
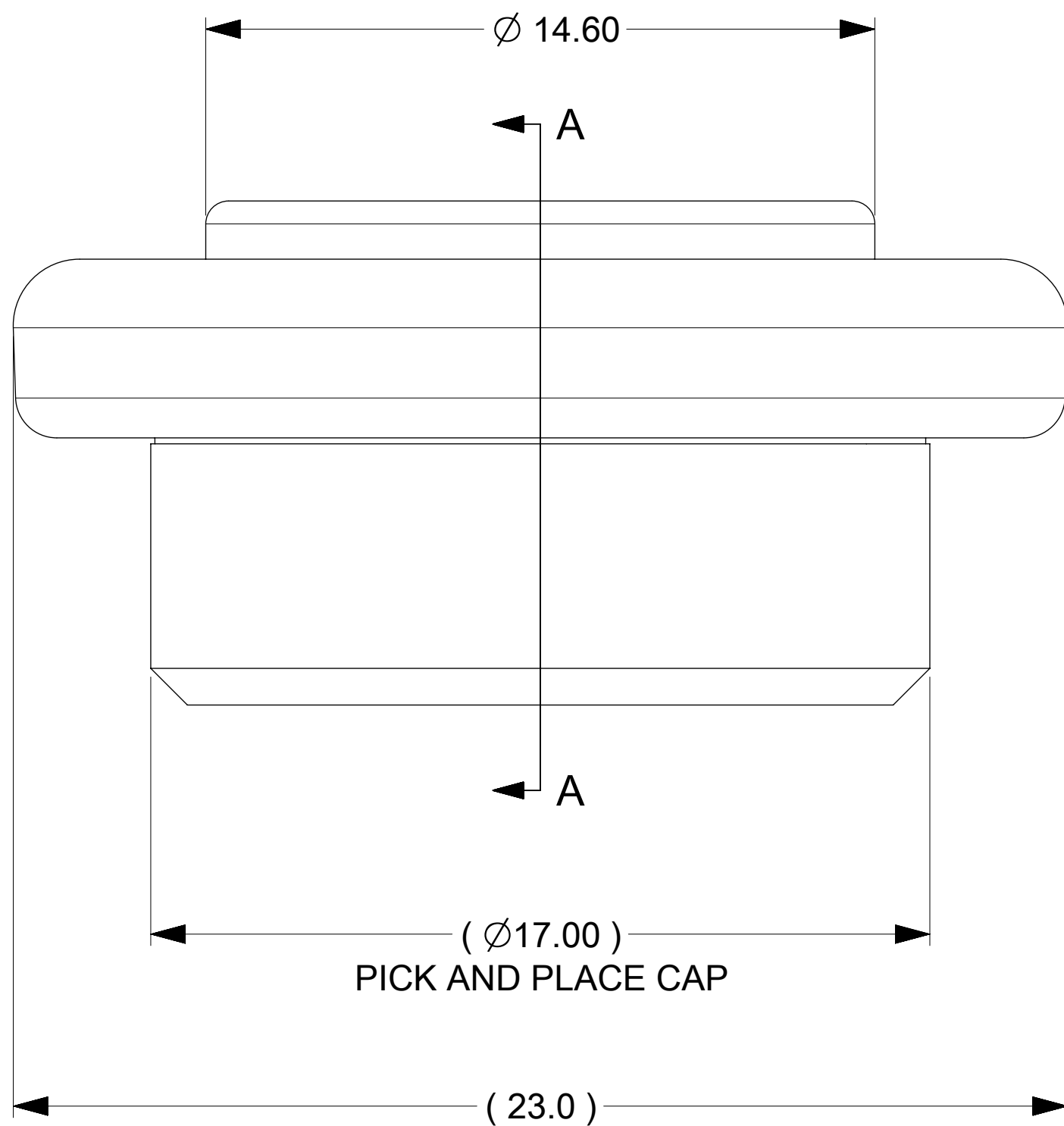
RECOMMENDED PCB LAYOUT



MATING PROFILE

NOTES:

- MATERIALS:
RETENTION CAP: STAINLESS STEEL
PICK AND PLACE CAP: LCP UL94, V-0 COLOR BLACK
BASE METAL: HIGH CONDUCTIVE COPPER ALLOY
PLATING ON CONTACTS: 0.75 MICRON MIN GOLD OVER 1.27 MICRON MIN NICKEL
PLATING ON BODY: 3.18 MICRON MIN SILVER OVER 1.27 MICRON MIN NICKEL
- MATES WITH MOLEX 11MM MALE PIN:
 - 11.0MM SMT MALE PIN DRAWING 213901-0000-SD, MIN. MATING DISTANCE 7.32MM
 - 11.0MM PRESS FIT MALE PIN DRAWING 213900-0000-SD, MIN. MATING DISTANCE 7.67MM
 - 11.0MM SCREW MOUNT MALE PIN DRAWING 213902-0000-SD, MIN. MATING DISTANCE 10.67MM
- PRODUCT SPECIFICATION: 2138800001-PS
- APPLICATION SPECIFICATION: 2138800001-AS
SEE APPLICATION SPEC FOR SOLDERING INFORMATION.
- PACKAGING SPECIFICATION: 2138800001-PK(TAPE AND REEL)
- SILVER COMPONENTS WILL BE SUPPLIED TARNISH FREE BUT MAY TARNISH OVER TIME.
- PICK AND PLACE CAP TO BE REMOVED AFTER SOLDERING.
CAP TO BE PUSHED OUT OF BOTTOM FROM THE TOP.



THIS DRAWING CONTAINS INFORMATION THAT IS PROPRIETARY TO MOLEX ELECTRONIC TECHNOLOGIES, LLC AND SHOULD NOT BE USED WITHOUT WRITTEN PERMISSION											
DIMENSION UNITS	SCALE	CURRENT REV DESC: UPDATED THE TOLERANCE VALUE AND THE TITILE BLOCK									
mm	NTS										
GENERAL TOLERANCES (UNLESS SPECIFIED)		EC NO: 747243				11.0MM SENTRALITY TOP ENTRY SMT SOCKET WITH FLOAT IN T&R					
ANGULAR TOL	± 0.5°	DRWN: SOURAJ		2023/02/16		PRODUCT CUSTOMER DRAWING					
4 PLACES	±	CHK'D: SCS02		2023/04/25		DOCUMENT NUMBER					
3 PLACES	±	APPR: HTHYAGARAJ		2023/04/26		DOC TYPE					
2 PLACES	± 0.15	INITIAL REVISION:				DOC PART					
1 PLACE	± 0.25	DRWN: TOMLU		2019/08/08		REVISION					
0 PLACES	±	APPR: BPISZCZOR		2020/10/19		2138800000-SD					
DRAFT WHERE APPLICABLE MUST REMAIN WITHIN DIMENSIONS		THIRD ANGLE PROJECTION		DRAWING		SERIES		MATERIAL NUMBER		CUSTOMER	
		D-SIZE		213880		SEE CHART		GENERAL MARKET		SHEET NUMBER	
										1 OF 1	