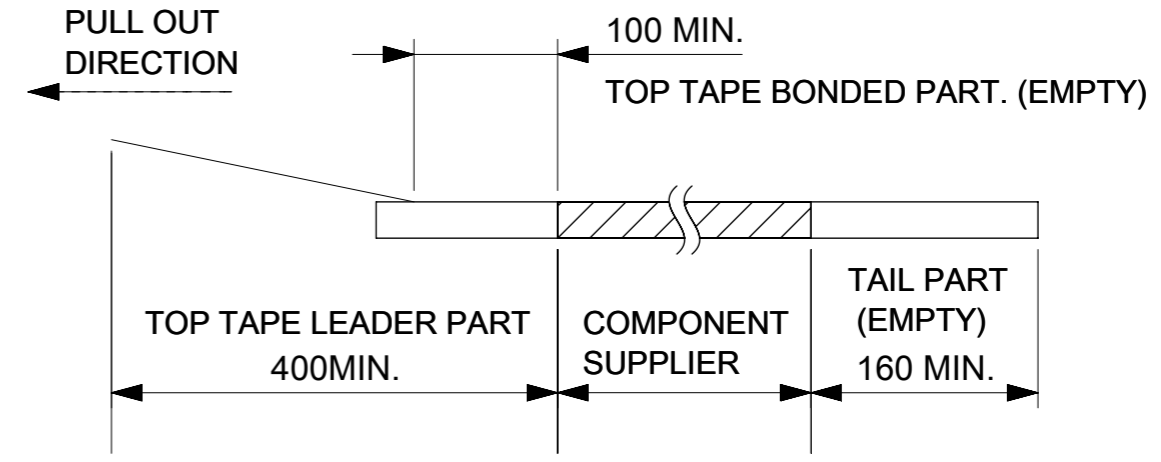
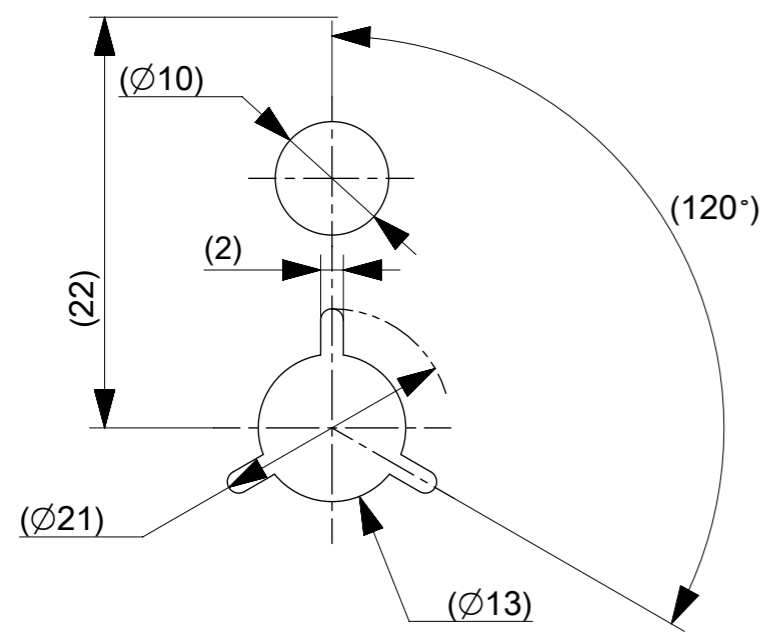


NOTES

- 1. RE DETAILED DIMENSION, SEE PRODUCT DRAWING.
- 2. NUMBER OF CONNECTORS : 11000PCS/REEL
- 3. LEAD TAPE LENGTH.

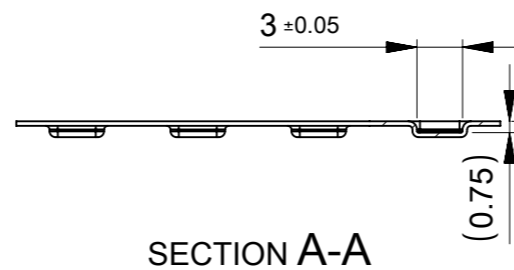
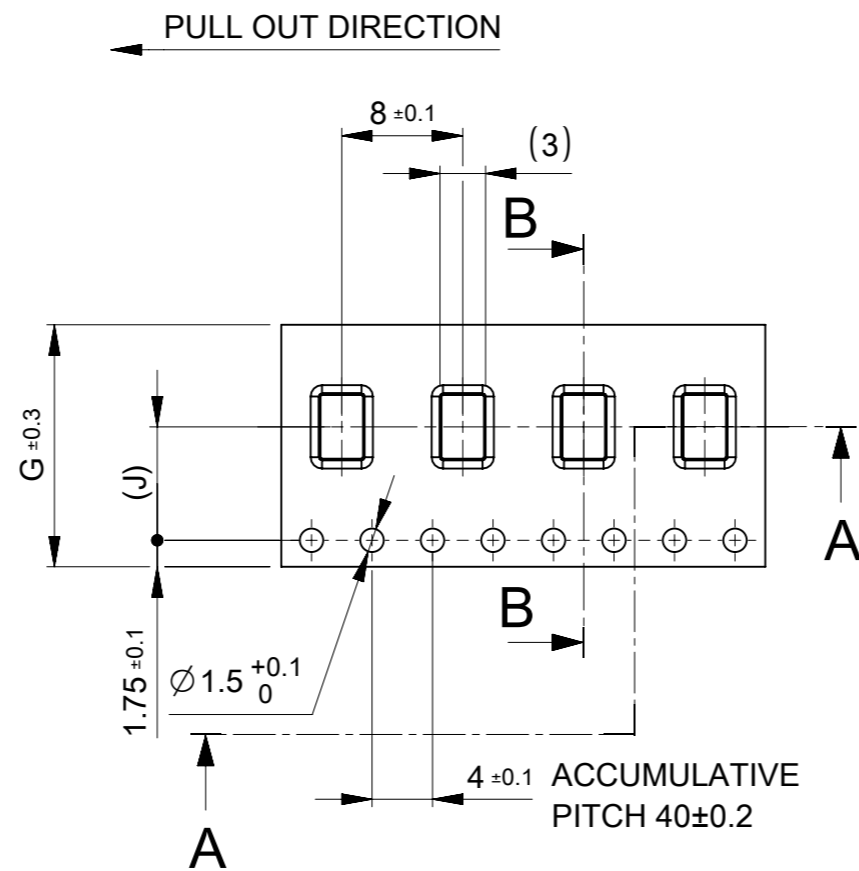
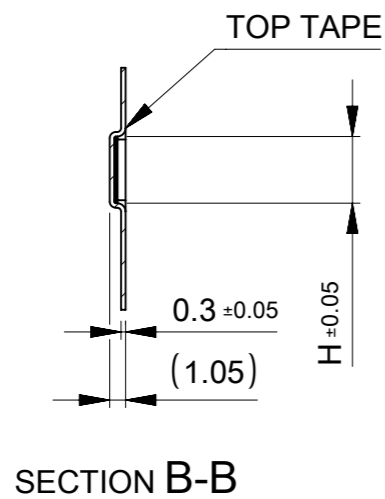


- 4. PEELING OFF FORCE OF THE TOP TAPE IS DEFINED BY IEC60286-3.
- 5. MATERIAL  
 CARRIER TAPE : POLYSTYRENE OR PET  
 TOP TAPE : PET , OTHER  
 REEL : POLYSTYRENE (PS) < RECYCLE MATERIAL CONTAINED >
- 6. CONFORM TO 2188769200-SPK/PS/200 FOR PACKAGING SPECIFICATION.
- 7. CONFORM TO 2188769200-SPK/PS/201 FOR PACKAGING SPECIFICATION.



DETAIL "D"

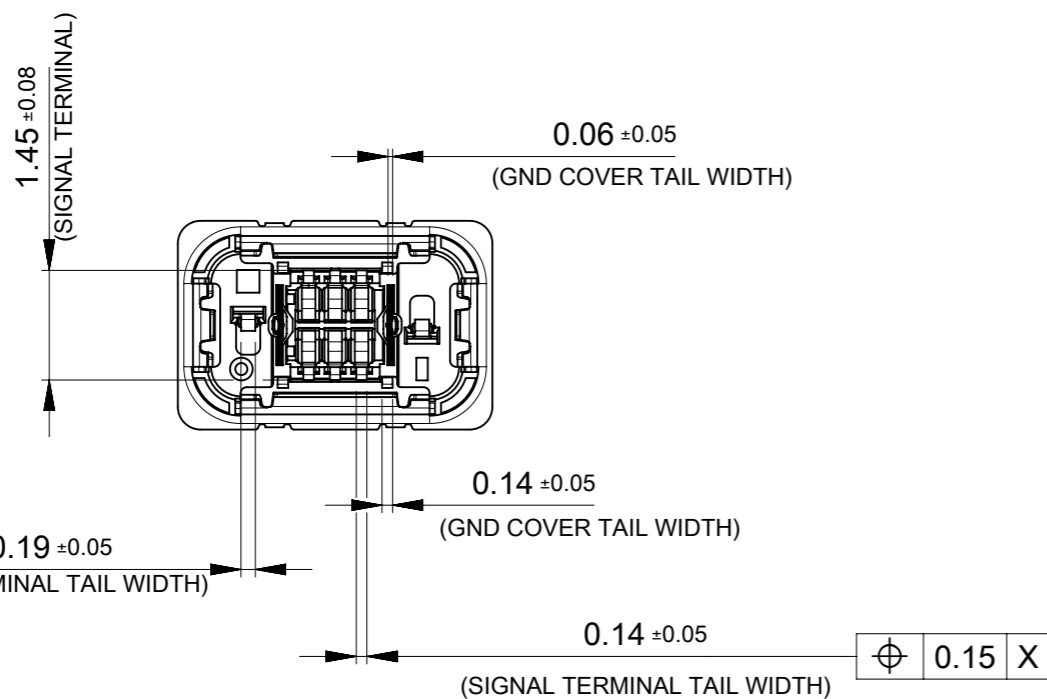
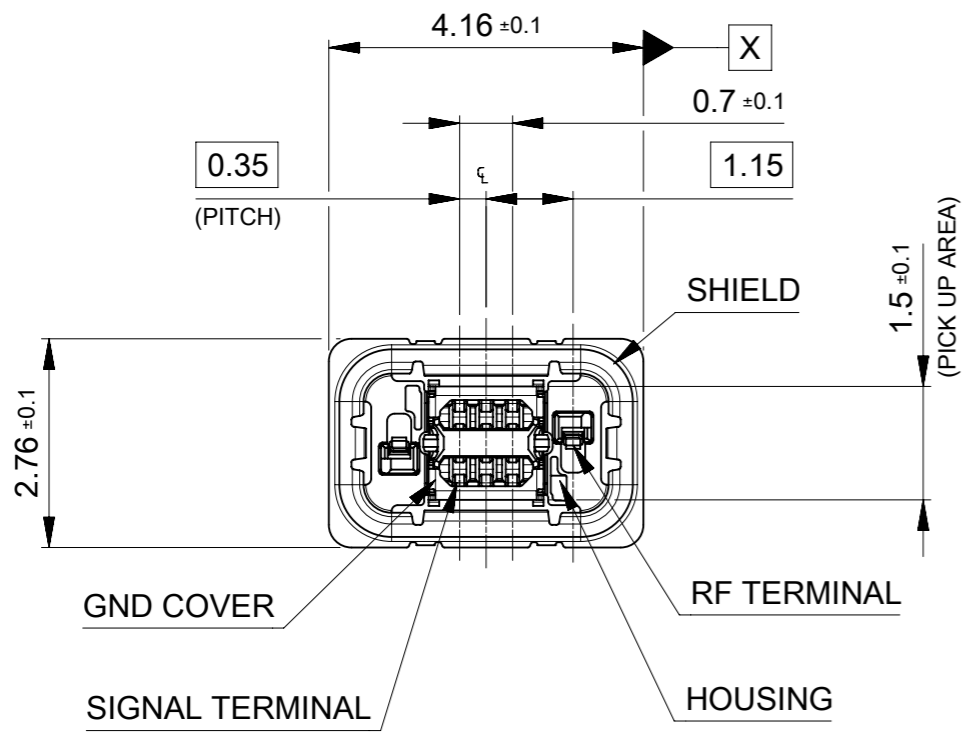
THIS DRAWING CONTAINS INFORMATION THAT IS PROPRIETARY TO MOLEX ELECTRONIC TECHNOLOGIES, LLC AND SHOULD NOT BE USED WITHOUT WRITTEN PERMISSION									
DIMENSION UNITS		SCALE		CURRENT REV DESC:				<b>molex</b>	
mm		1:1							
GENERAL TOLERANCES (UNLESS SPECIFIED)				EC NO: 732080				5G25 REC EMOSS PACKAGE	
ANGULAR TOL ± °				DRWN: RAJMOK 2022/12/02				PRODUCT CUSTOMER DRAWING	
4 PLACES ±				CHK'D: YNUKANOBU 2022/12/15				DOCUMENT NUMBER	
3 PLACES ±				APPR: YNAITO 2022/09/14				2188760000-SD	
2 PLACES ±				INITIAL REVISION:				DOC TYPE	
1 PLACE ±				DRWN: NKONDO 2021/11/09				PSD	
0 PLACES ±				APPR: KSASAKI 2022/09/14				DOC PART	
DRAFT WHERE APPLICABLE MUST REMAIN WITHIN DIMENSIONS				THIRD ANGLE PROJECTION		DRAWING		REVISION	
		A3-SIZE		SERIES		MATERIAL NUMBER		SHEET NUMBER	
		218876		218876		SEE SHEET-2		1 OF 2	
		GENERAL		CUSTOMER		GENERAL			



2188760064	2188760062	7.5	4.4	16	21.4	17.4	○	---	6
ORDER NO.	ORDER NO.	J	H	G	F	E	HIGH VOL. TOOL	LOW VOL. TOOL	Ckt.
PACKAGING SPEC:	PACKAGING SPEC:						SAMPLE PREPARATION ○ : TOOLED △ : WORK IN PROCESS --- : TOOLING TO BE CONFIRMED		

CONNECTOR SERIES No: 218876\*\*\*\*

THIS DRAWING CONTAINS INFORMATION THAT IS PROPRIETARY TO MOLEX ELECTRONIC TECHNOLOGIES, LLC AND SHOULD NOT BE USED WITHOUT WRITTEN PERMISSION										
DIMENSION UNITS <b>mm</b>	SCALE <b>2:1</b>	CURRENT REV DESC:					<b>molex</b>			
GENERAL TOLERANCES (UNLESS SPECIFIED)		EC NO: 732080 DRWN: RAJMOK 2022/12/02 CHK'D: YNUKANOBU 2022/12/15 APPR: YNAITO 2022/12/19								
ANGULAR TOL ± °		INITIAL REVISION:					5G25 REC EMBOSS PACKAGE			
4 PLACES ±		DRWN: NKONDO 2021/11/09 APPR: KSASAKI 2022/09/14					PRODUCT CUSTOMER DRAWING			
3 PLACES ±		DOCUMENT NUMBER					2188760000-SD			
2 PLACES ±		DOC TYPE					PSD			
1 PLACE ±		DOC PART					000			
0 PLACES ±		REVISION					B			
DRAFT WHERE APPLICABLE MUST REMAIN WITHIN DIMENSIONS		THIRD ANGLE PROJECTION	DRAWING	SERIES	MATERIAL NUMBER	CUSTOMER	SHEET NUMBER			
			A3-SIZE	218876	SEE TABLE	GENERAL	2 OF 2			

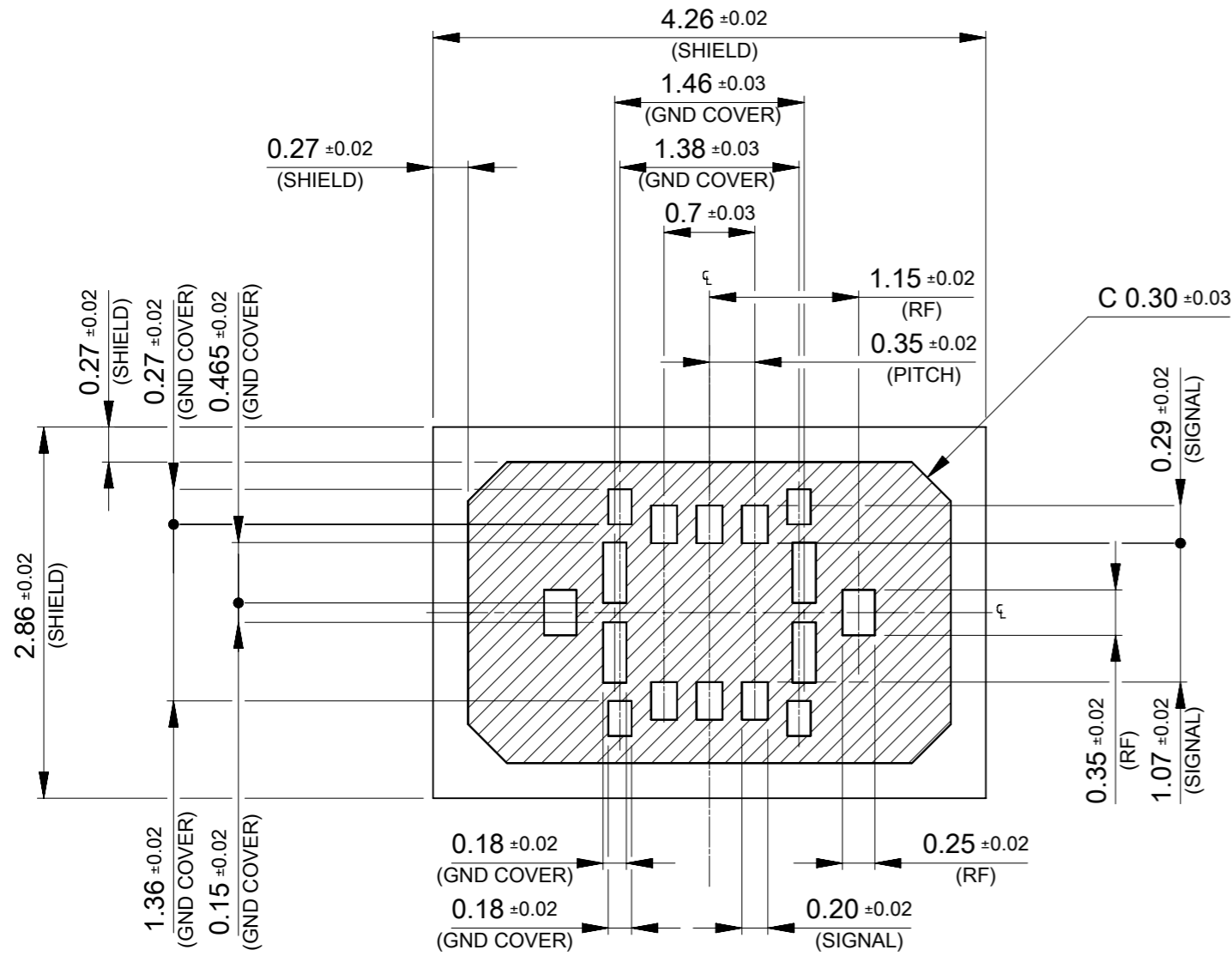


NOTES


- MATERIAL  
 HOUSING : LIQUID CRYSTAL POLYMER UL94V-0(COLOR : BLACK)  
 SIGNAL TERMINAL : COPPER ALLOY  
 RF TERMINAL : COPPER ALLOY  
 SHIELD : COPPER ALLOY  
 GND COVER : COPPER ALLOY
- PLATING  
 SIGNAL TERMINAL  
 CONTACT AREA : GOLD  
 TAIL AREA : GOLD  
 UNDER : NICKEL  
 RF TERMINAL  
 CONTACT AREA : GOLD  
 TAIL AREA : GOLD  
 UNDER : NICKEL  
 SHIELD  
 TAIL AREA : NICKEL (SOLDERABLE)  
 GND COVER  
 CONTACT AREA : GOLD  
 TAIL AREA : GOLD  
 UNDER : NICKEL
- MATE WITH :2188770062
- COPLANARITY TO BE 0.08MAXIMUM.
- △ CONFORM TO 2188769200-SPK/PS/200 FOR PACKAGING SPECIFICATION.
- △ CONFORM TO 2188769200-SPK/PS/201 FOR PACKAGING SPECIFICATION.

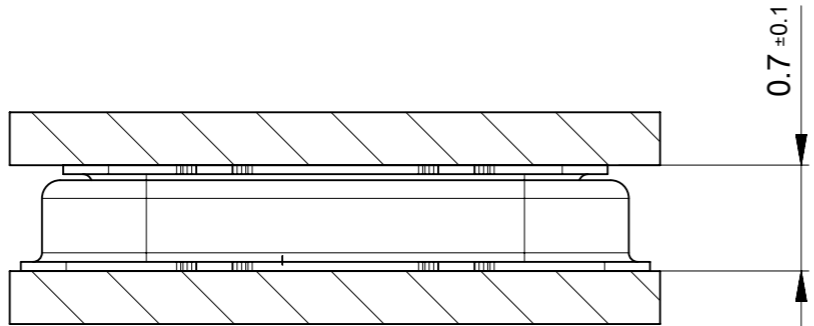
2188760064	2188760062	○	---	6
EMBOSED TAPE PACKAGE	EMBOSED TAPE PACKAGE	HIGH VOL. TOOL	LOW VOL. TOOL	SIGNAL CIRCUIT
ORDER No.	ORDER No.	SAMPLE PREPARATION ○ : TOOLED △ : WORK IN PROCESS --- : TOOLING TO BE CONFIRMED		
PACKAGING SPEC: △ 6	PACKAGING SPEC: △ 5			

THIS DRAWING CONTAINS INFORMATION THAT IS PROPRIETARY TO MOLEX ELECTRONIC TECHNOLOGIES, LLC AND SHOULD NOT BE USED WITHOUT WRITTEN PERMISSION									
DIMENSION UNITS	SCALE	CURRENT REV DESC:			<b>molex</b>				
mm	10:1								
GENERAL TOLERANCES (UNLESS SPECIFIED)		EC NO: 732080			5G25 REC ASSY				
ANGULAR TOL ± 3.0°		DRWN: RAJMOK 2022/12/02							
4 PLACES ± 0.03	CHK'D: YNUKANOBU 2022/12/15			PRODUCT CUSTOMER DRAWING					
3 PLACES ± 0.03	APPR: YNAITO 2022/12/19								
2 PLACES ± 0.05	INITIAL REVISION:			DOCUMENT NUMBER: 2188761000-SD					
1 PLACE ± 0.1	DRWN: NKONDO 2021/11/09								
0 PLACES ± 0.2	APPR: KSASAKI 2022/09/14			DOC TYPE: PSD					
DRAFT WHERE APPLICABLE MUST REMAIN WITHIN DIMENSIONS		THIRD ANGLE PROJECTION	DRAWING: A3-SIZE						SERIES: 218876
				MATERIAL NUMBER: SEE TABLE	CUSTOMER: GENERAL		SHEET NUMBER: 1 OF 2		



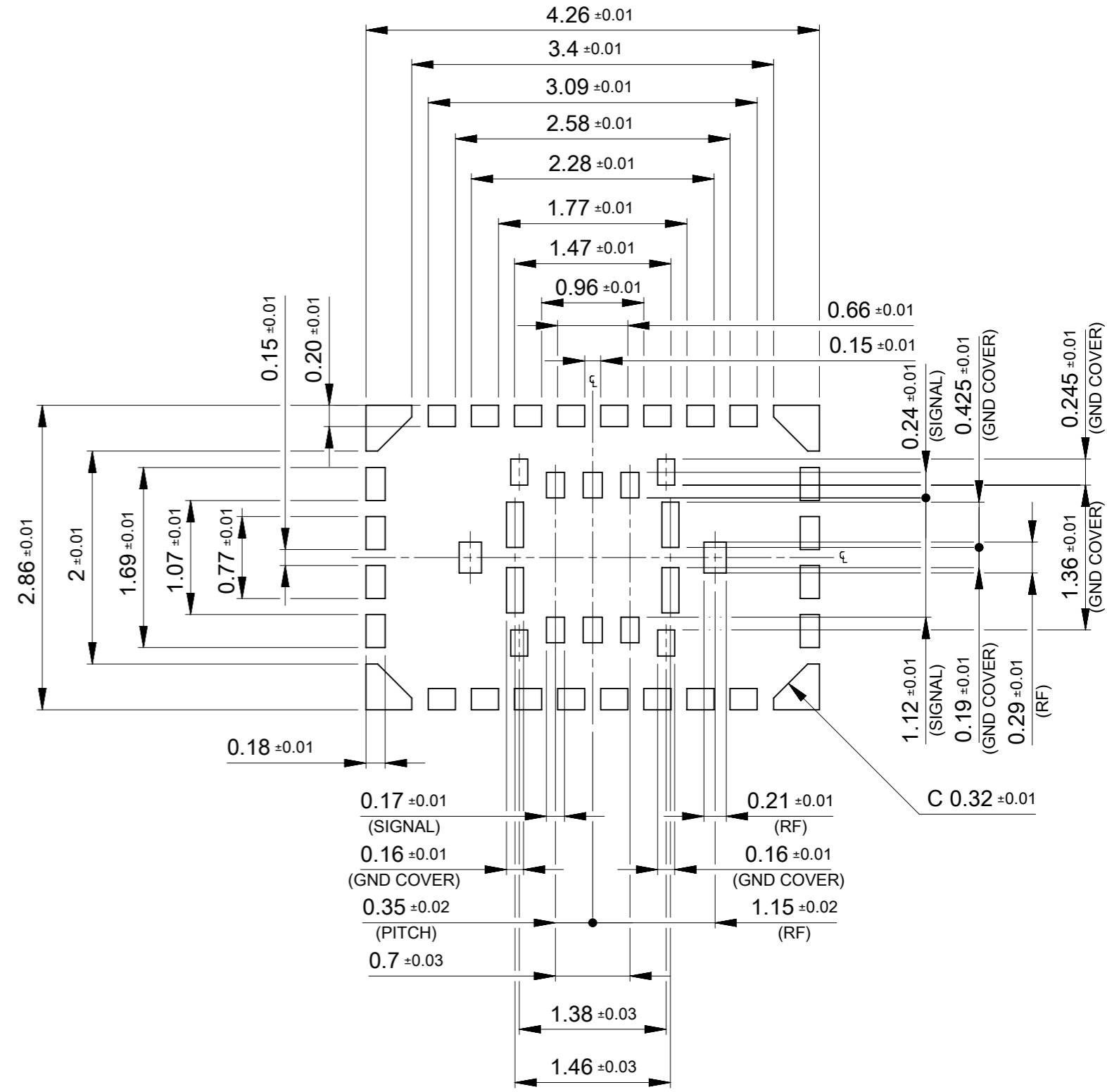
**P.W. BOARD PATTERN LAYOUT**

 **SOLDERING PROHIBITED AREA**  
 WHEN WIRING IS LOCATED, THE WIRING MUST BE MASKED  
 BY COVER LAY OR RESIST FILM.



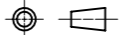
**MATED CONDITION**

THIS DIMENSION SHOW A DIMENSION BETWEEN THE TAIL TO TAIL.



**METAL MASK LAYOUT**

THICKNESS OF METAL MASK : t=0.08mm

THIS DRAWING CONTAINS INFORMATION THAT IS PROPRIETARY TO MOLEX ELECTRONIC TECHNOLOGIES, LLC AND SHOULD NOT BE USED WITHOUT WRITTEN PERMISSION									
DIMENSION UNITS	SCALE	CURRENT REV DESC:							
mm	20:1	<div style="text-align: center;"><b>molex</b></div> 5G25 REC ASSY PRODUCT CUSTOMER DRAWING							
GENERAL TOLERANCES (UNLESS SPECIFIED)									
ANGULAR TOL	± 3.0 °								
4 PLACES	± 0.03								
3 PLACES	± 0.03								
2 PLACES	± 0.05	EC NO: 732080	DRWN: RAJMOK	2022/12/02	DOCUMENT NUMBER: <b>2188761000-SD</b> DOC TYPE: PSD DOC PART: 000 REVISION: B				
1 PLACE	± 0.1	CHK'D: YNUKANOBU	2022/12/15						
0 PLACES	± 0.2	APPR: YNAITO	2022/09/14	INITIAL REVISION:		MATERIAL NUMBER			CUSTOMER
DRAFT WHERE APPLICABLE MUST REMAIN WITHIN DIMENSIONS		THIRD ANGLE PROJECTION	DRAWING	SERIES	218876		SEE SHEET-1		GENERAL
			A3-SIZE	218876			SHEET NUMBER		2 OF 2