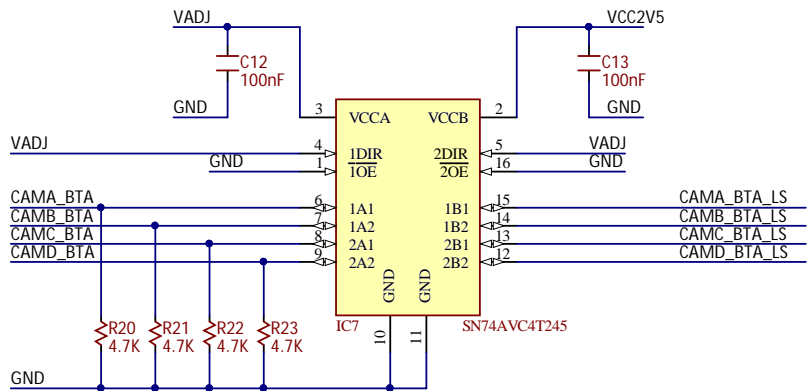
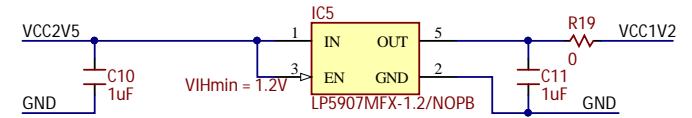
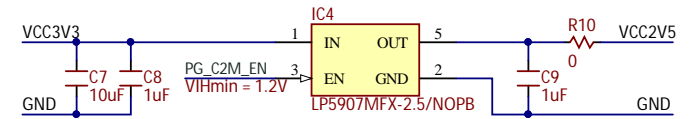
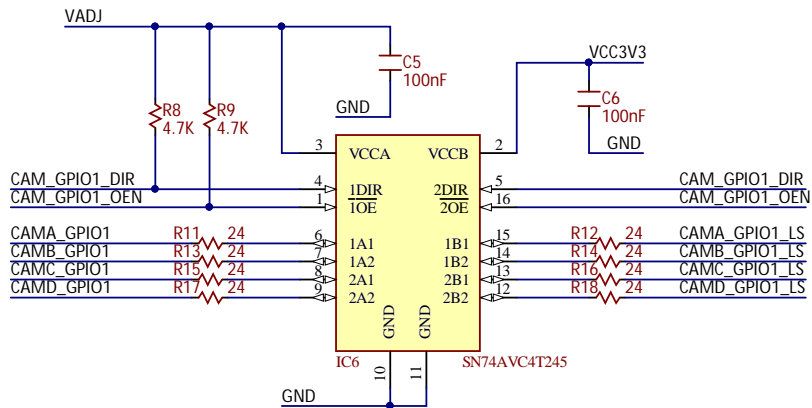
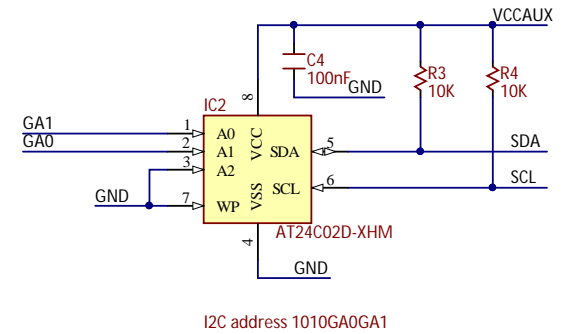
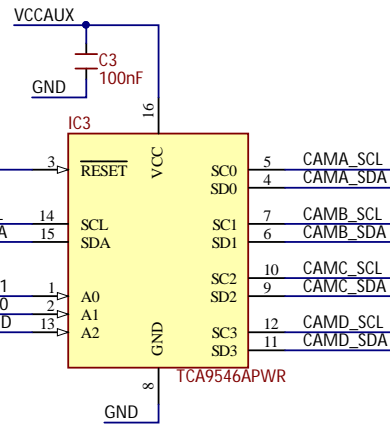
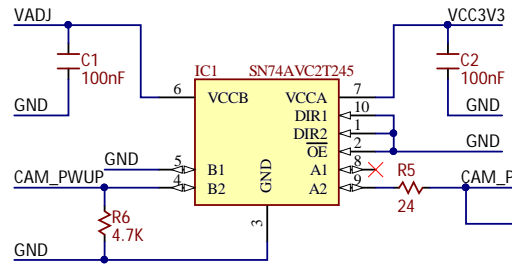
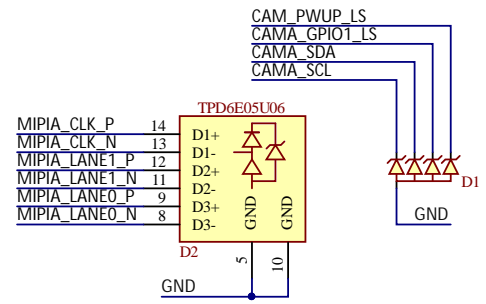
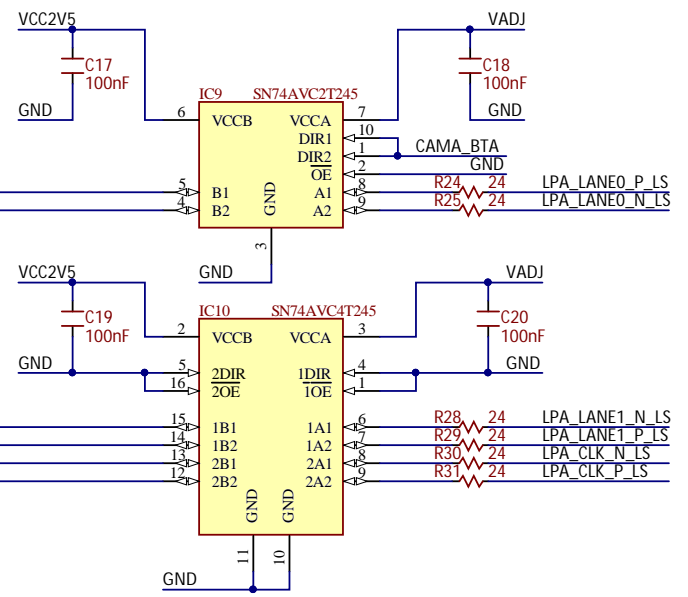
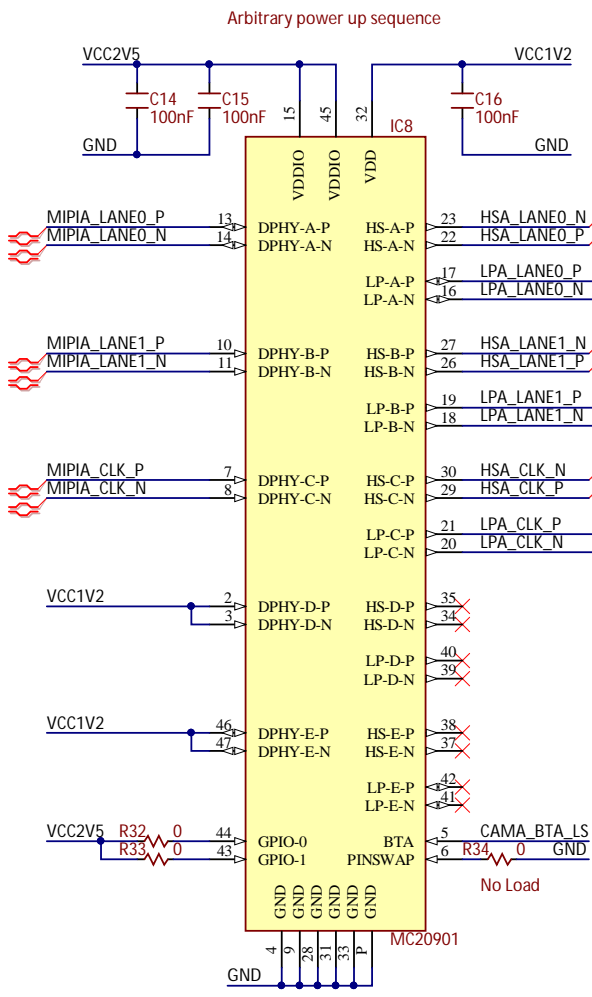
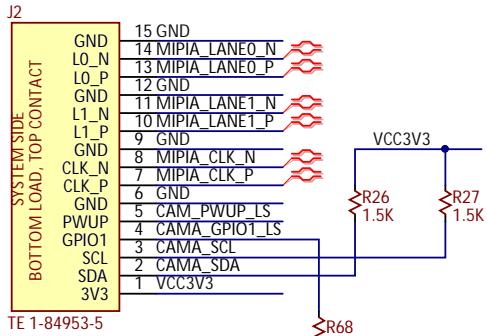


Title <b>FMC Pcam Adapter</b>		Rev <b>C.0</b> Copyright 2019
Circuit FMC Connector	Doc# 500-372	
Engineer EG	Author GMA	
Date 1/17/2019	Sheet# 1 out of 6	
Foot F1		
Foot F2		



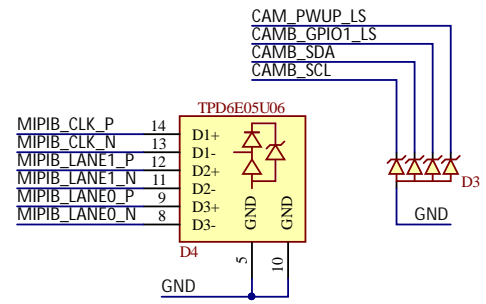
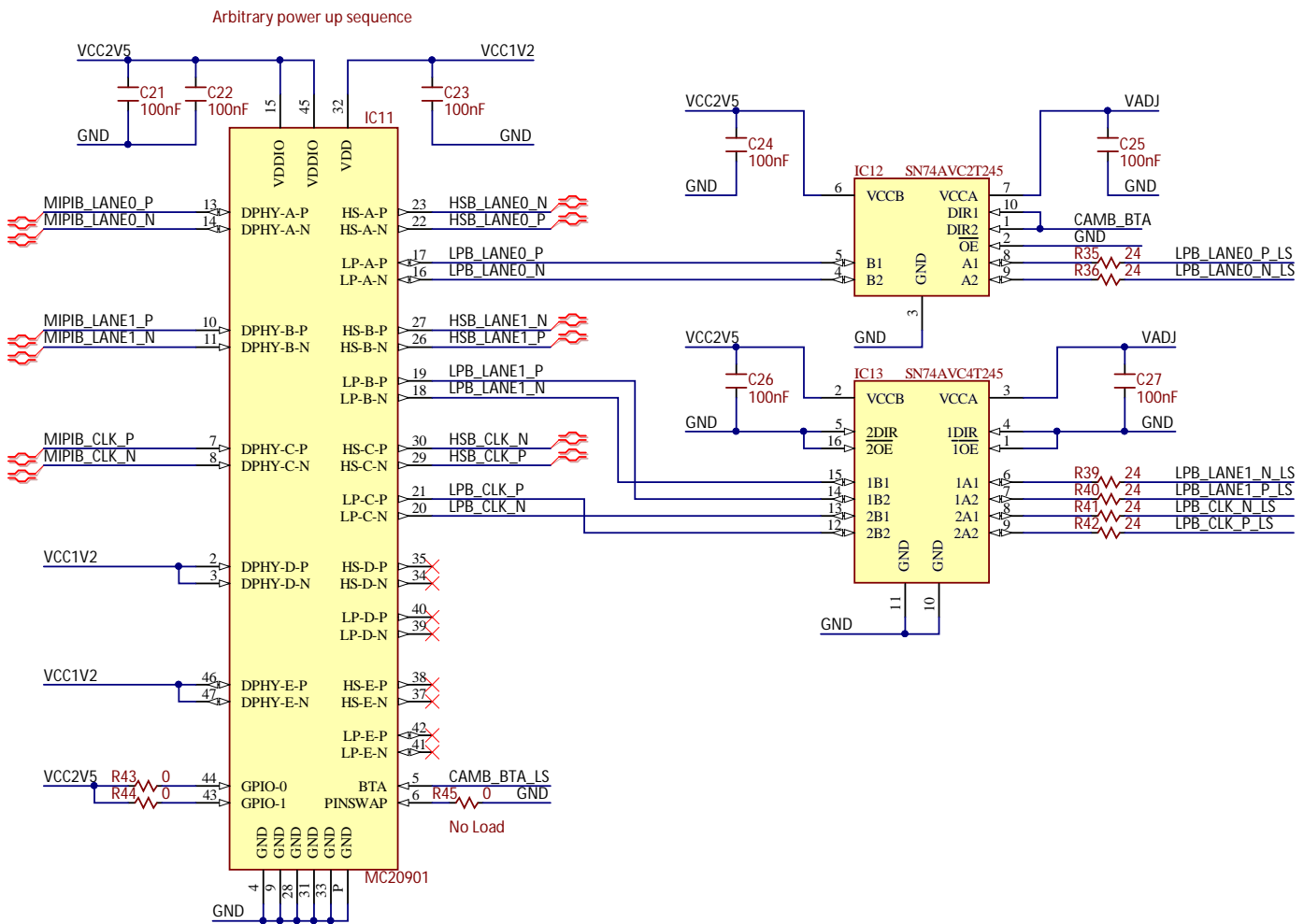
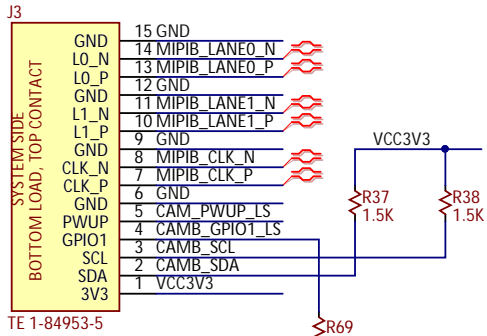
Title		Rev
<b>FMC Pcam Adapter</b>		<b>C.0</b>
Circuit Cam Control, Power		Copyright 2019
Doc#	500-372	
Engineer	EG	
Author	GMA	
Date	1/17/2019	
Sheet#	2 out of 6	





HS\_x\_P, HS\_x\_N pin swap enabled for routability

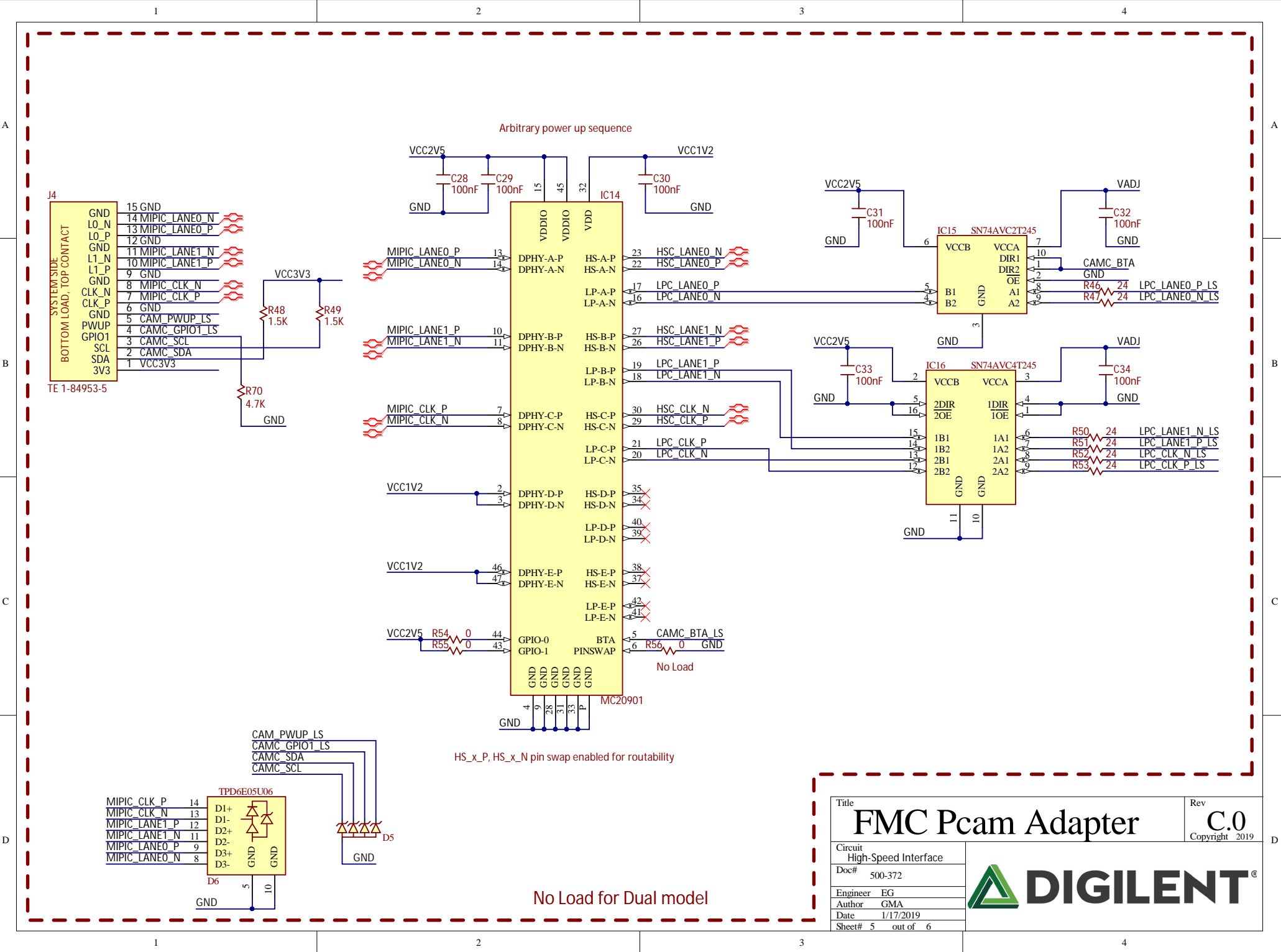
Title <b>FMC Pcam Adapter</b>		Rev <b>C.0</b> Copyright 2019
Circuit High-Speed Interface	Doc# 500-372	
Engineer EG	Author GMA	
Date 1/17/2019	Sheet# 3 out of 6	



HS\_x\_P, HS\_x\_N pin swap enabled for routability

Title		Rev
FMC Pcam Adapter		C.0
Circuit		Copyright 2019
High-Speed Interface		
Doc#	500-372	
Engineer	EG	
Author	GMA	
Date	1/17/2019	
Sheet#	4 out of 6	





J4  
SYSTEMSIDE  
BOTTOM LOAD, TOP CONTACT  
TE 1-84953-5

Arbitrary power up sequence

HS\_x\_P, HS\_x\_N pin swap enabled for routability

No Load for Dual model

Title <b>FMC Pcam Adapter</b>		Rev <b>C.0</b>
Circuit High-Speed Interface		Copyright 2019
Doc#	500-372	
Engineer	EG	
Author	GMA	
Date	1/17/2019	
Sheet#	5 out of 6	



A

A

B

B

C

C

D

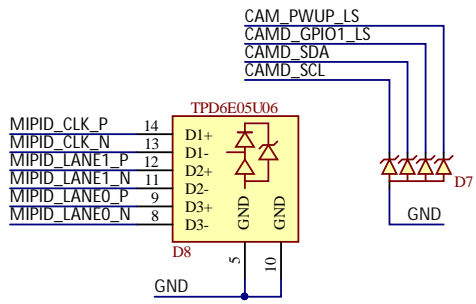
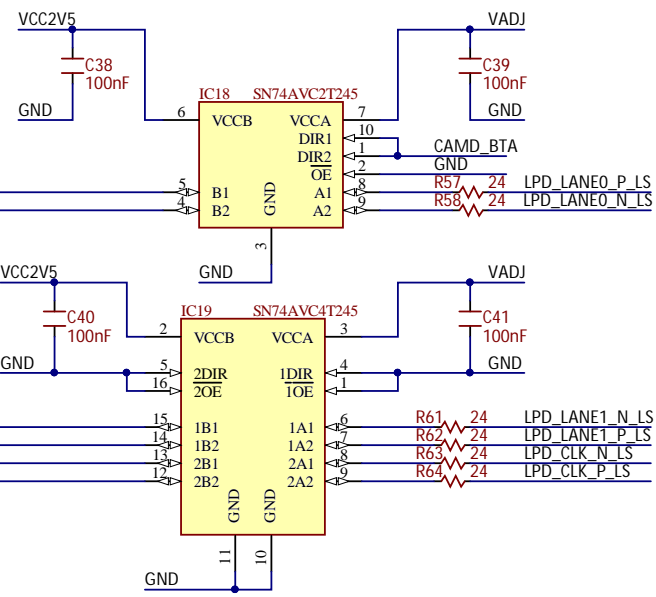
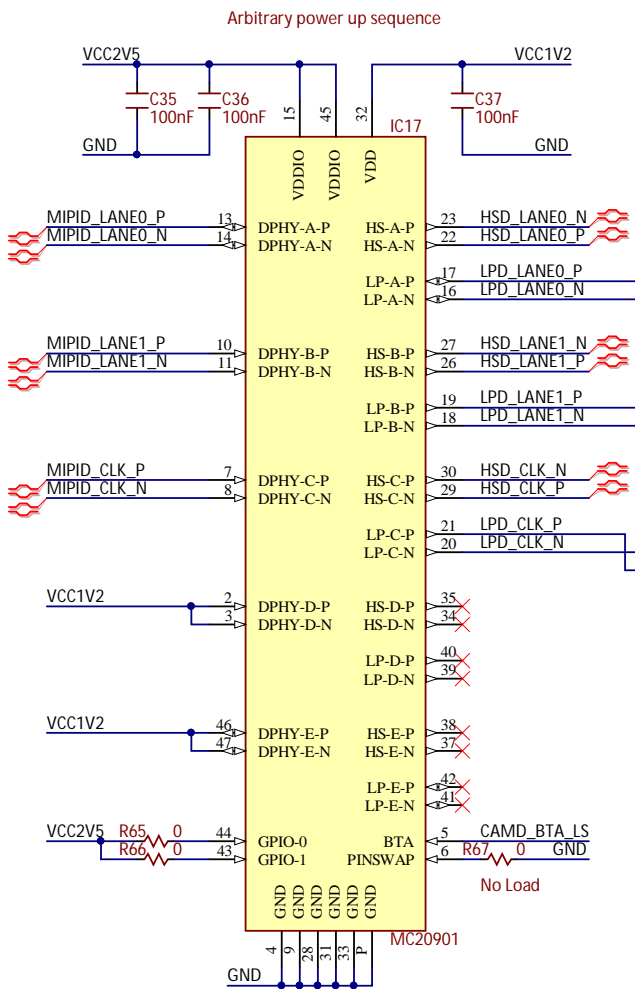
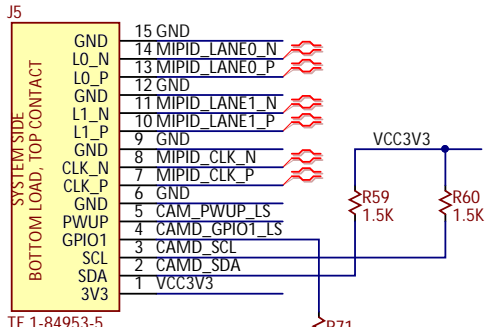
D

1

2

3

4



HS\_x\_P, HS\_x\_N pin swap enabled for routability

No Load for Dual model

Title <b>FMC Pcam Adapter</b>		Rev <b>C.0</b>
Circuit High-Speed Interface		Copyright 2019
Doc# 500-372		
Engineer EG		
Author GMA		
Date 1/17/2019		
Sheet# 6 out of 6		