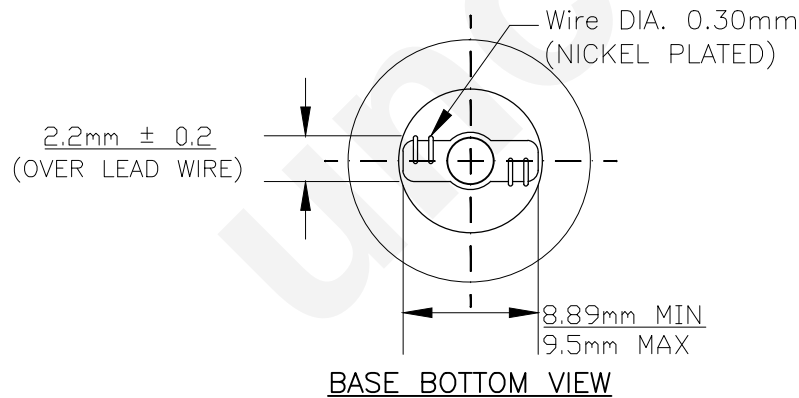
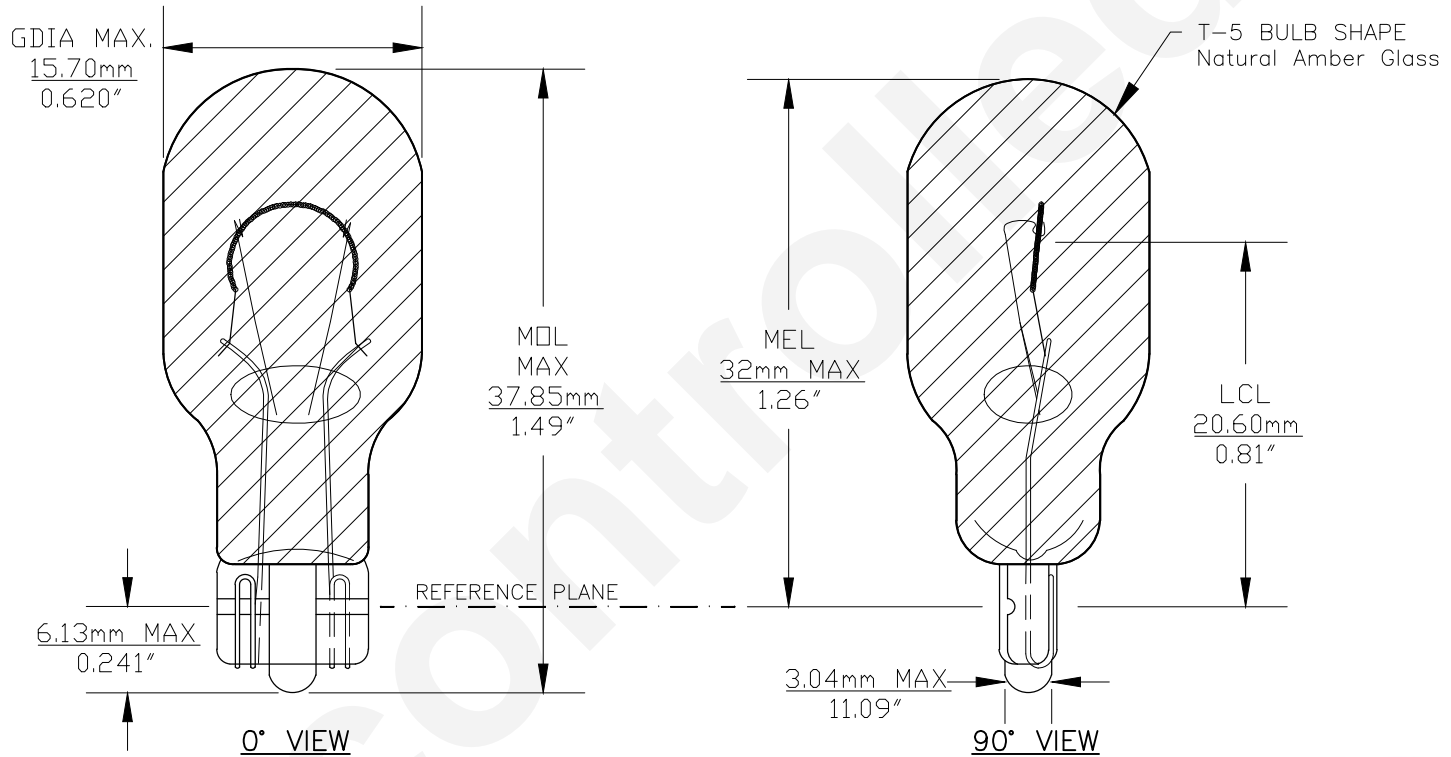




PART NO.	BASE TYPE	DESIGN VOLTS	DESIGN AMPS	MSCD	FILAMENT TYPE	AVERAGE LIFE HOURS	REVISIONS			
							REV #	DESCRIPTION	DATE	APPROVED
916NA	Glass Wedge (T-5)	13.5V	0.54±10%	1.5±30%	C-2F	10,000	1	ISSUED	10/19/2010	D.C.
							2	ADDITIONAL SPECIFICATIONS	09/16/2011	D.C.
							3	ADDITIONAL SPECIFICATIONS	06/05/2014	R.M.



Note: Made according to SAE specifications



UNLESS OTHERWISE SPECIFIED: DIMENSIONS ARE IN INCHES TOLERANCES		CEC INDUSTRIES LTD	
DECIMALS	ANGULAR	599 BOND STREET LINCOLNSHIRE, IL 60069	
.XX ± .05	± 0.5°		
.XXX ± .010			
FRACTIONAL	± 1/64		
DRAWN SIDNEY LIU	DATE 06/09/2001	TITLE LIGHT BULB NO. 916NA	
CHECKED	SIZE A	FSCM NO.	DWG NO. 916NA
DESIGN	SCALE	PLOT SCALE	REV 3
MATERIAL	FILE 916NA.pdf	SHEET 1 OF 1	DRAWING NOT TO SCALE