

MATERIALS

HOUSING:
ALUMINUM 6061-T6, NICKEL
PLATE PER SAE-AMS-2404

LATCH:
STAINLESS STEEL, NICKEL
PLATE PER SAE-AMS-2404

INSULATOR:
LIQUID CRYSTAL POLYMER
(LCP) PER ASTM D5138

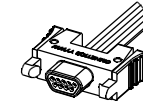
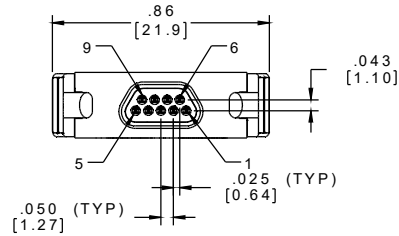
CONTACT:
BERYLLIUM COPPER PER
ASTM B194, C17200, GOLD
PLATED PER ASTM B488,
(HARD GOLD) TYPE II CODE
C, CLASS 1.27

WIRE:
NEMA HP3 TYPE E, COLOR
CODED IAW MIL-STD-681,
SYSTEM 1, USING TEN SOLID
REPEATING COLORS

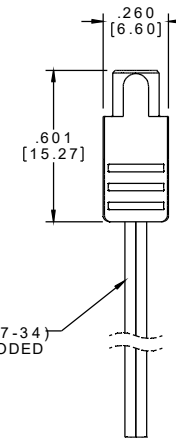
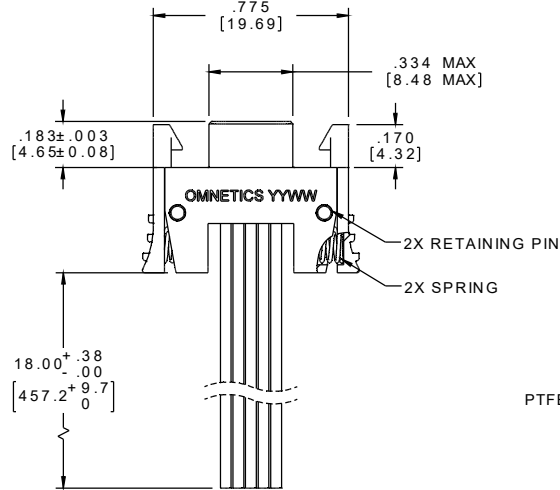
PIN #	COLOR
1	BLACK
2	BROWN
3	RED
4	ORANGE
5	YELLOW
6	GREEN
7	BLUE
8	VIOLET
9	GRAY

INTERNAL USE ONLY
USE MFG LOADING
PROCEDURE MMDP-009

PART NO.	A98150-009	REV	ECO	DATE	APP
		C	100387	03-20-14	TLM



ACTUAL SIZE
EXCLUDING WIRE LENGTH



NOTE:

DIMENSIONS IN [] ARE IN
MILLIMETERS UNLESS
OTHERWISE NOTED AND ARE
FOR REFERENCE ONLY

THIRD ANGLE -TOLERANCES- UNLESS OTHERWISE NOTED	DFTM. JPF	DATE	TITLE: (9) PIN MALE MICRO-D CONNECTOR W/LATCHES
	CHK'D.	DATE	
	APP'D.	DATE	

OMNETICS
CONNECTOR CORPORATION
7260 COMMERCE CIRCLE EAST
MINNEAPOLIS, MN 55432
WWW.OMNETICS.COM

CAGE CODE 61873	REV
DWG NO. A98150-009	C
SHEET 1 OF 1	SCALE: 2:1

