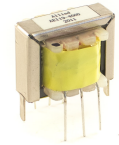




- EI19 Core Design
- Through-hole, Vertical mount
- Industrial Operating Temp: -20°C to +80°C



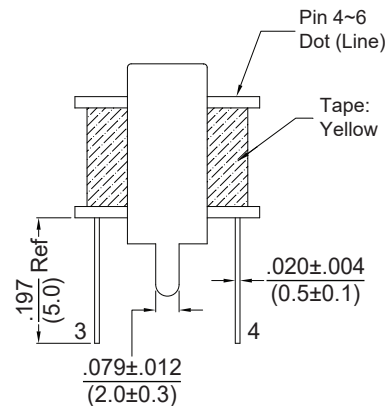
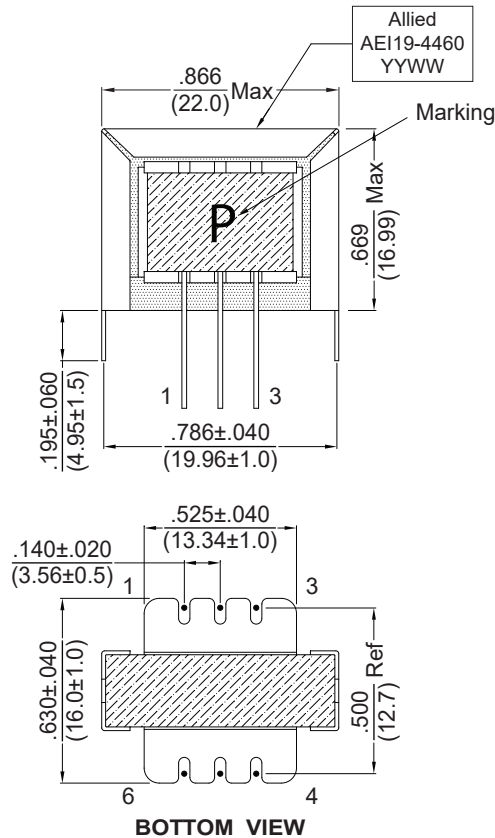
Electrical Specifications @25°C

Impedance @ 1KHz/1V		DCR ($\Omega \pm 15\%$)		Freq. Response	Turns Ratio	Insulation Test MOHM Min by 100VDC		Hi-Pot Test 2mA / 60Sec	
(1 - 3)	(4 - 6)	(1 - 3)	(4 - 6)	@300Hz-3.4KHz	(1 - 3) : (4 - 6)	Pri - Sec	Coil - Core	Pri - Sec	Coil - Core
10K Load	10K ± 1	550	500	± 0.3 dB	1 : 1	23dB	23dB	100VAC	100VAC

All specifications subject to change without notice.

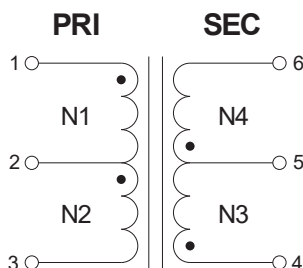
MECHANICAL

Dimensions: $\frac{\text{inch}}{\text{mm}}$



NOTE:
1. PIN 4~6 DOT (LINE)
2. Core add band

SCHEMATICS



WINDING CONSTRUCTION

