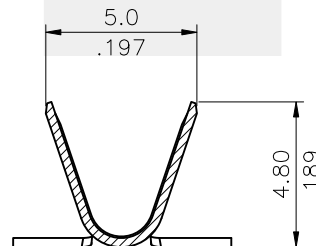
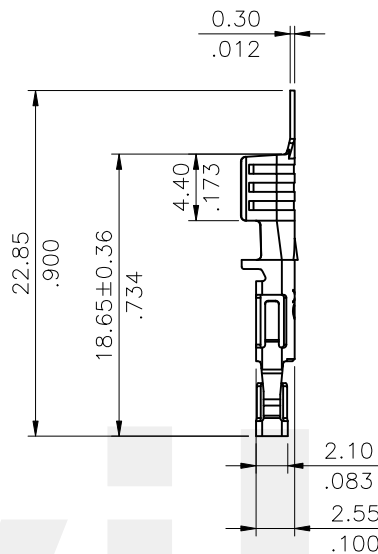


SEC. A-A (S: 4/1)  
P/N: CP60T03\*PP0-HC



SEC. A-A (S: 4/1)  
P/N: CP60T04\*PP0-HC

P/N:	Wire Range	Reel Q'ty
CP60T04*PP0-HC	AWG #12	3,000 PCS
CP60T03*PP0-HC	AWG #14~#16	4,250 PCS

Ordering Code:

CP60 T0\* \* PP 0 - HC  
① ② ③ ④ ⑤ ⑥

- ① Series No.
- ② Type: T04= AWG #12  
T03= AWG #14~#16
- ③ Plating:  
1= Tin Plated over Nickel  
B= Selective 15 μ" Gold Plated over 50 μ" min. Nickel  
C= Selective 30 μ" Gold Plated over 50 μ" min. Nickel
- ④ Plating method: PP= Post plating
- ⑤ Option: 0= Standard
- ⑥ HC= High Current Copper Alloy

RoHS Compliant

SYM	NAME	DATE	REVISIONS	APPROVED BY:	Eisley	8/13-21'	UNIT: mm / inch	TITLE:	瀚荃股份有限公司 CviLux Corporation			
④							UNIT: mm / inch	CP60 Series Terminal	DRAWING NO. CP6004SB PART NO. CP60T03*PP0-HC CP60T04*PP0-HC SCALE 2 / 1 SHEET 1 OF 1			
③						TOLERANCE UNLESS OTHERWISE SPECIFIED						
②	Karen	8/11-21'	ECNT121196/ECRB121029	DRAWN BY: Karen	8/11-21'	.X ± 0.36/.014 X* ± 1'						
①	Clark	07/16-19	ECNT119180	ENGINEER: Sun	8/12-21'	.XX ± 0.25/.010 .X* ±						
				CHECKED BY: Eisley	8/13-21'	.XXX ± 0.15/.006 .XX* ±						

