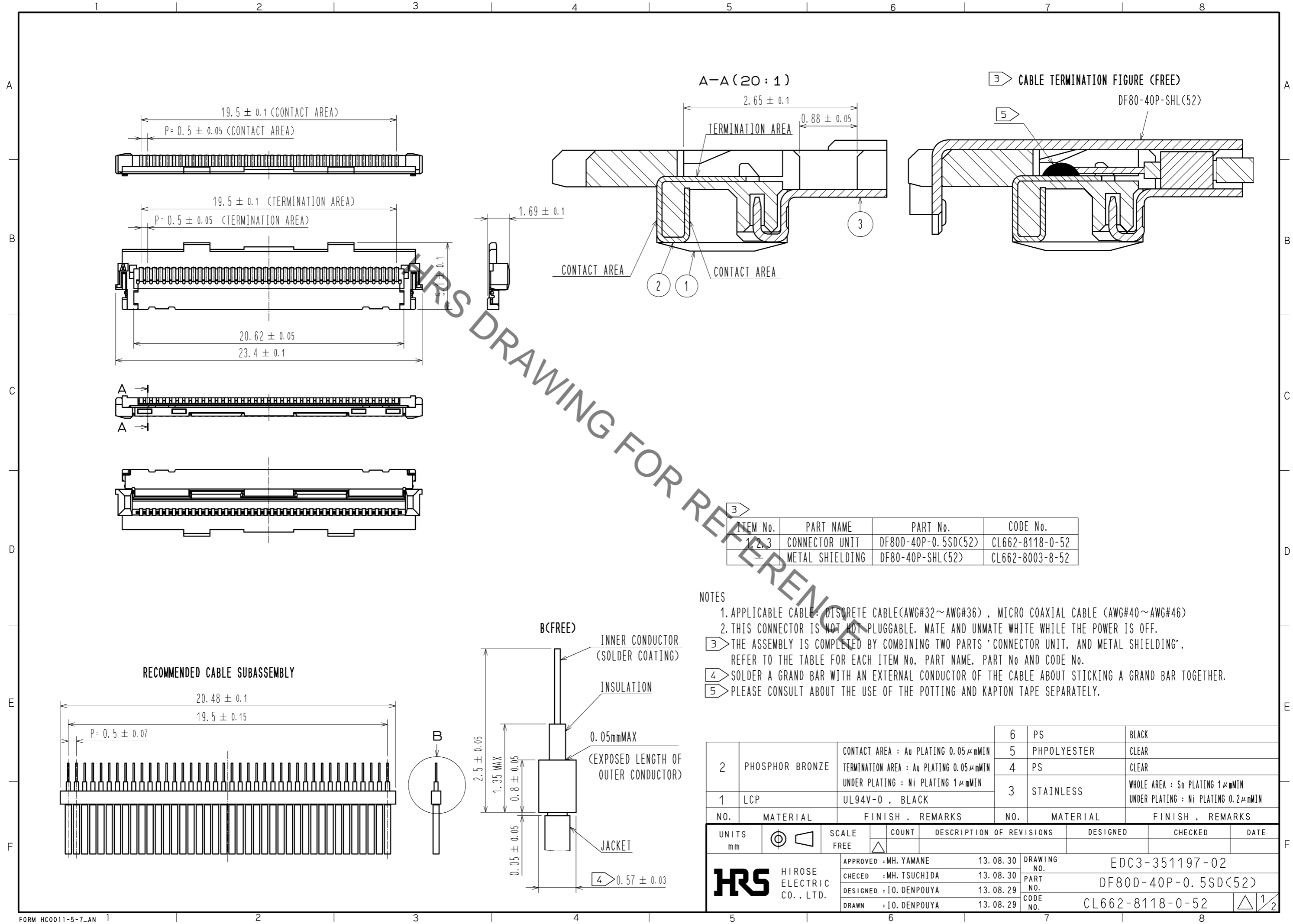


Aug.1.2019 Copyright 2019 HIROSE ELECTRIC CO., LTD. All Rights Reserved.
 In case of consideration for using Automotive equipment / device which demand high reliability, kindly contact our sales window correspondents.



HRS DRAWING FOR REFERENCE

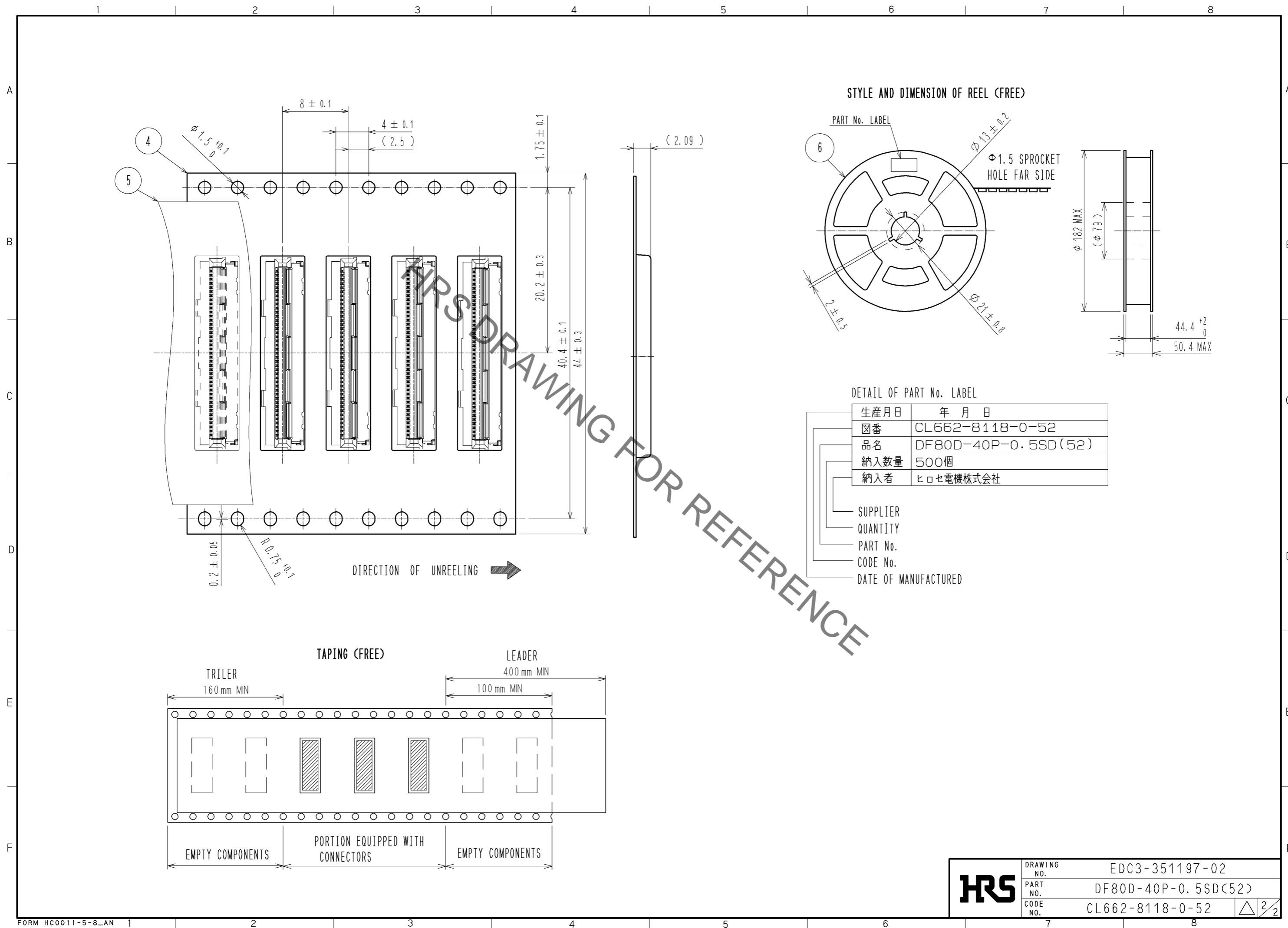
| ITEM No. | PART NAME | PART No. | CODE No. |
|----------|-----------------|---------------------|-----------------|
| 1, 2, 3 | CONNECTOR UNIT | DF80D-40P-0.5SD(52) | CL662-8118-0-52 |
| 4 | METAL SHIELDING | DF80-40P-SHL(52) | CL662-8003-8-52 |

- NOTES
1. APPLICABLE CABLE: DISCRETE CABLE(AWG#32~AWG#36) . MICRO COAXIAL CABLE (AWG#40~AWG#46)
 2. THIS CONNECTOR IS NOT HOT PLUGGABLE. MATE AND UNMATE WHILE THE POWER IS OFF.
 - 3 THE ASSEMBLY IS COMPLETED BY COMBINING TWO PARTS 'CONNECTOR UNIT, AND METAL SHIELDING'. REFER TO THE TABLE FOR EACH ITEM No. PART NAME, PART No AND CODE No.
 - 4 SOLDER A GRAND BAR WITH AN EXTERNAL CONDUCTOR OF THE CABLE ABOUT STICKING A GRAND BAR TOGETHER.
 - 5 PLEASE CONSULT ABOUT THE USE OF THE POTTING AND KAPTON TAPE SEPARATELY.

| NO. | MATERIAL | FINISH | REMARKS | NO. | MATERIAL | FINISH | REMARKS |
|-----|-----------------|---|---------|-----|-------------|---|---------|
| 2 | PHOSPHOR BRONZE | CONTACT AREA : Au PLATING 0.05μmMIN TERMINATION AREA : Au PLATING 0.05μmMIN UNDER PLATING : Ni PLATING 1μmMIN | | 6 | PS | BLACK | |
| 1 | LCP | UL94V-0 , BLACK | | 5 | PHPOLYESTER | CLEAR | |
| | | | | 4 | PS | CLEAR | |
| | | | | 3 | STAINLESS | WHOLE AREA : Sn PLATING 1μmMIN UNDER PLATING : Ni PLATING 0.2μmMIN | |

| UNITS | SCALE | COUNT | DESCRIPTION OF REVISIONS | DESIGNED | CHECKED | DATE |
|-------------------------|-------|-------|--------------------------|------------------------------|---------|------|
| mm | FREE | △ | | | | |
| APPROVED : MH. YAMANE | | | 13. 08. 30 | DRAWING NO. EDC3-351197-02 | | |
| CHECKED : MH. TSUCHIDA | | | 13. 08. 30 | PART NO. DF80D-40P-0.5SD(52) | | |
| DESIGNED : IO. DENPOUYA | | | 13. 08. 29 | CODE NO. CL662-8118-0-52 | | |
| DRAWN : IO. DENPOUYA | | | 13. 08. 29 | △ 1/2 | | |

Aug.1.2019 Copyright 2019 HIROSE ELECTRIC CO., LTD. All Rights Reserved.
 In case of consideration for using Automotive equipment / device which demand high reliability, kindly contact our sales window correspondents.



| | | |
|------------|-------------|---------------------|
| HRS | DRAWING NO. | EDC3-351197-02 |
| | PART NO. | DF80D-40P-0.5SD(52) |
| | CODE NO. | CL662-8118-0-52 |