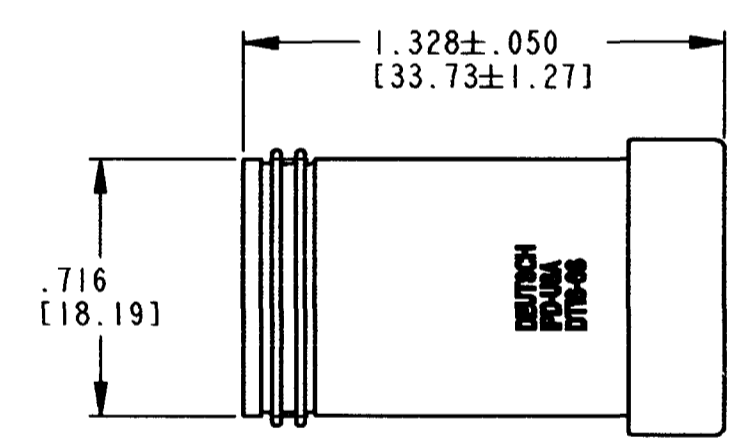
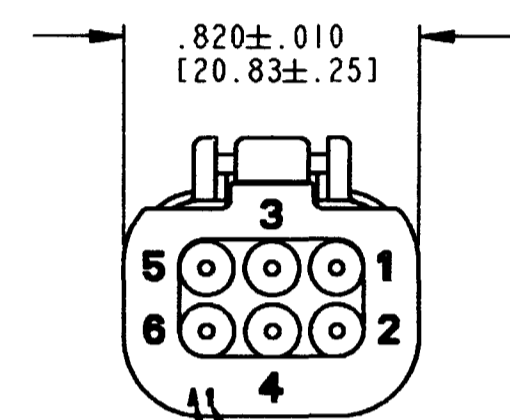
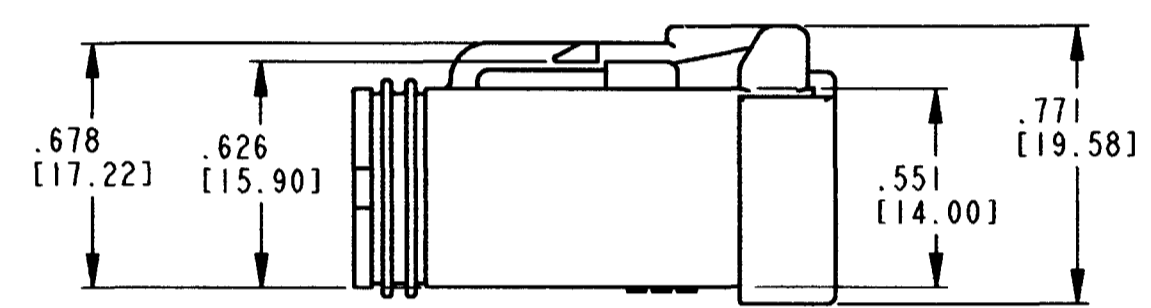
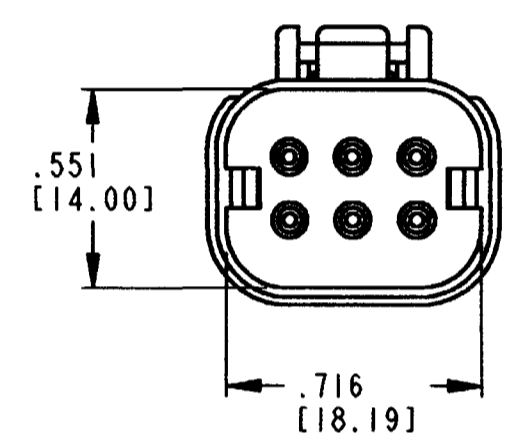


REV  
A DT16-6S-KP01

REVISIONS			
SYM	DESCRIPTION	DATE	APPROVED
NC	NEW RELEASE PER E.O. P18736	6/23/05	R.D.R
A	REVISED PER E.O. P18996	8-5-05	RDR



**DATE CODE**  
MONTH IS REPRESENTED  
BY SEQUENTIAL ALPHA CHARACTERS.  
EX: A = JANUARY

YEAR IS REPRESENTED BY  
THE LAST NUMERICAL DIGIT.  
EX: 1 = 2001

CONTACT SIZE	MIN. INSUL. O.D.	MAX. INSUL. O.D.	WIRE RANGE [mm <sup>2</sup> ] REF ONLY
16	.053 [1.35]	.120 [3.05]	14-20 AWG [2.0-0.5]

3. FOR CONTACT SPECIFICATION AND APPLICATION, SEE ENVELOPE DWG. 0425-017-0000 AND 0425-015-0000.
2. DIMENSIONS ARE ± .025 [0.64] UNLESS OTHERWISE SPECIFIED.
- NOTES: 1. DIMENSIONS ARE IN INCHES [MILLIMETERS].

SIGNATURE & DATE	
DR	T. YOHANNES 01AUG02
CHK	D Meyer 8/5/05
PE	Legh Johnson 8/1/05
APPD	S Brand 8-1-05
SCALE	NONE WT

4 WAY PLUG HOUSING  
WITH 6-CAVITY INTERFACE  
-KP01 MOD  
COLOR: GREEN  
D.T. SERIES

ENVELOPE

CP	MATL. CODE
<b>The Deutsch Company</b> DEUTSCH I.P.D. 3850 INDUSTRIAL AVE. HEMET, CALIF. 92545	
<b>B</b>	<b>DT16-6S-KP01</b>
DWG SIZE	CODE 17139 SHEET   OF