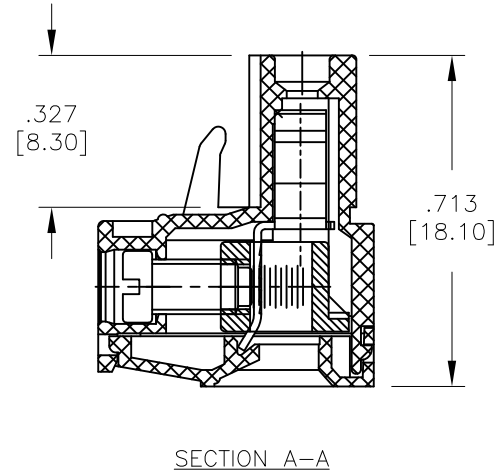
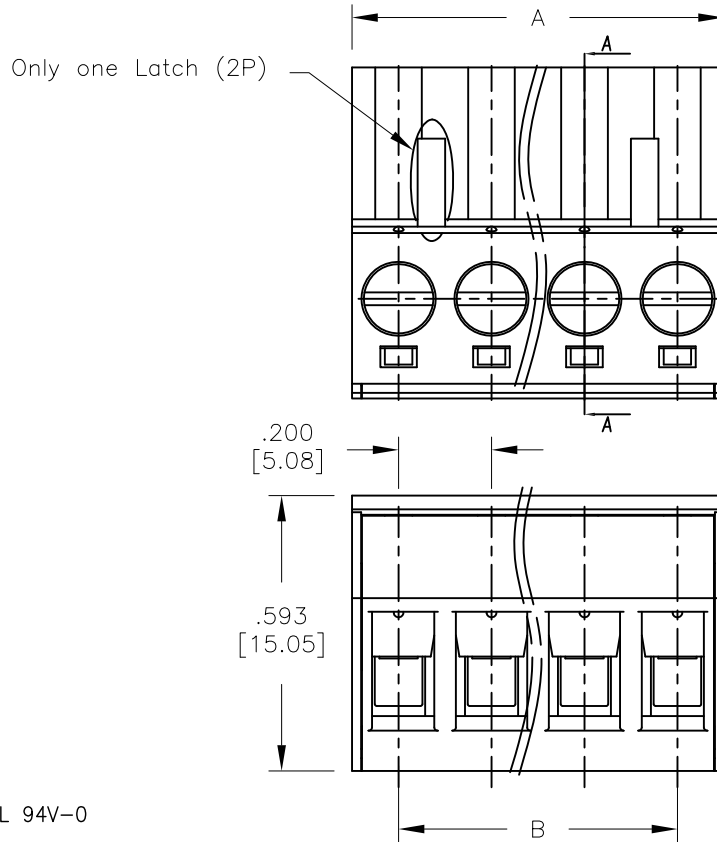


APPROVED: _____
 DATE: _____ TITLE: _____

Rev	AWO #	Description	Date	Appr
-		RELEASED	10/16/13	
A		UPDATE DRAWING	11/26/18	AY/IW



SPECIFICATIONS:
 Material:
 Insulator: PA66, rated UL 94V-0
 Insulator color: Green
 Screw: M3.0 Steel, Zinc plated
 Clamp: Phosphor Bronze, Nickel plated
 Wire Cage: Brass, Nickel plated
 Electrical:
 Voltage rated: 300 V
 Current rated: 15 A
 Contact resistance: 20 mΩ
 Insulation resistance: 500 MΩ @ 500 VDC
 Withstanding voltage: 2,000 VAC for 1 minute
 Mechanical:

Wire Range: 28-14AWG 1.5mm²
 Torque: 0.5N-m, 4.5lb-in
 Strip length: 7-8mm
 Temperature Rating:
 -40°C to +105°C
 Environmental:
 Lead free, RoHS compliant.



Poles: 2 thru 24
 A = .200 [5.08] x No. of Positions per Row
 B = .200 [5.08] x No. of Spaces

UNLESS OTHERWISE SPECIFIED ALL DIMENSIONS ARE INCHES [MM] TOLERANCES: EXCEPT AS NOTED			
INCHES		HOLES	
.X ± .10	∅.X ± .10		
.XX ± .020	∅.XX ± .015		
.XXX ± .015	∅.XXX ± .010		
APPROVALS		DATE	
DRAWN	AY	10/16/13	
CHECKED	NP	10/16/13	
APPROVED			

ADAM TECH
INTERCONNECTS

909 Rahway Avenue,
 Union, NJ 07083
 Phone: 908-687-5000
 Fax: 908-687-5710

TITLE .200 [5.08] TERMINAL BLOCK, SLOTTED SCREW			
SIZE X	PART NO. EBHA-XX-D	REV. A	
REF: S00067C	SCALE: NTS	SHEET 1 OF 1	