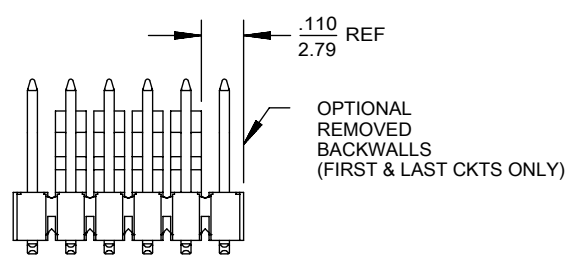
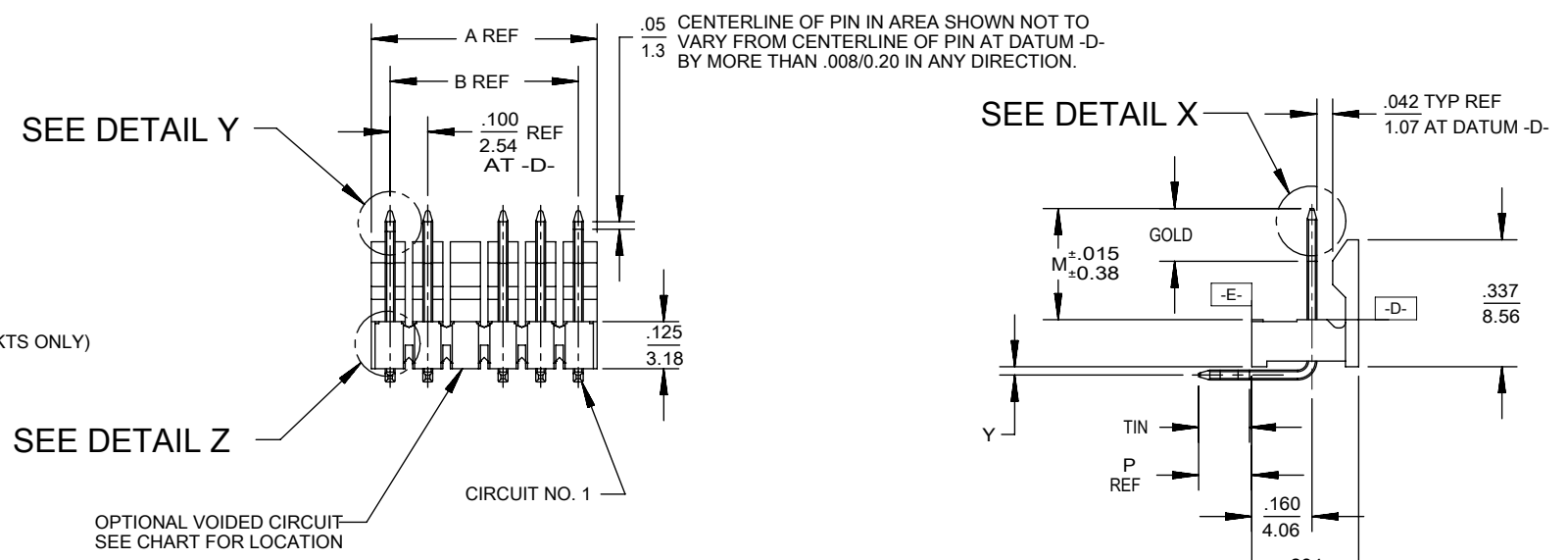
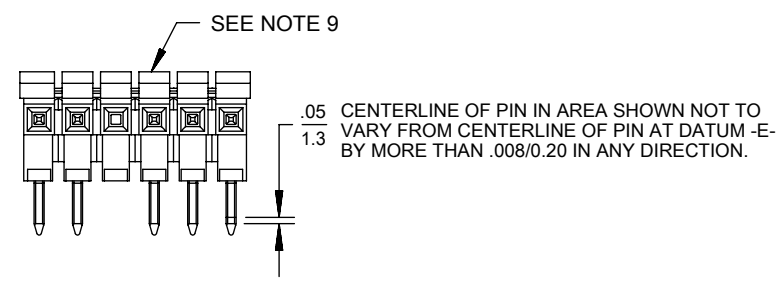
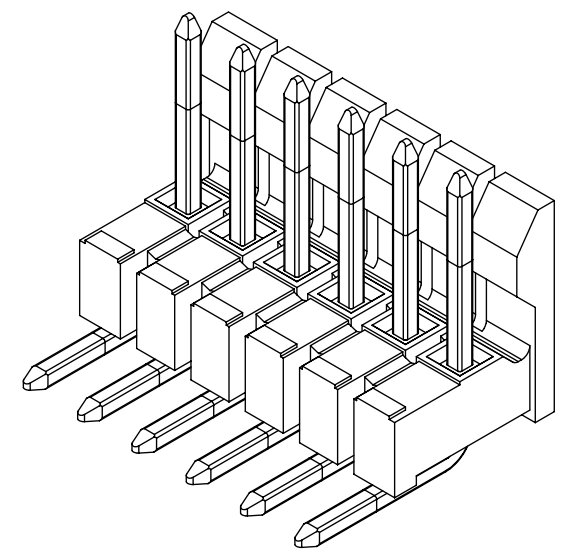
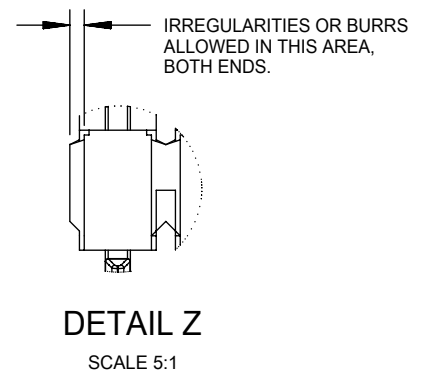
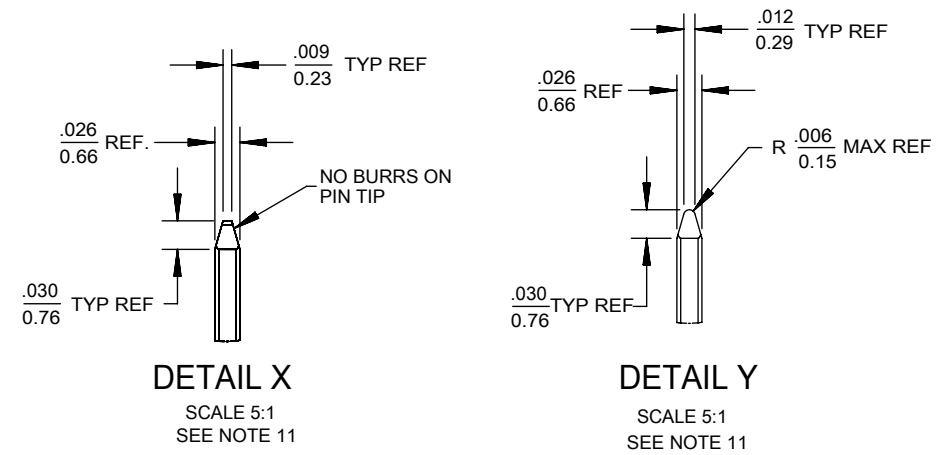
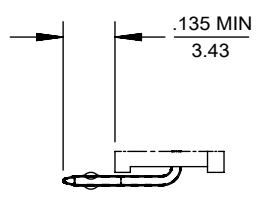
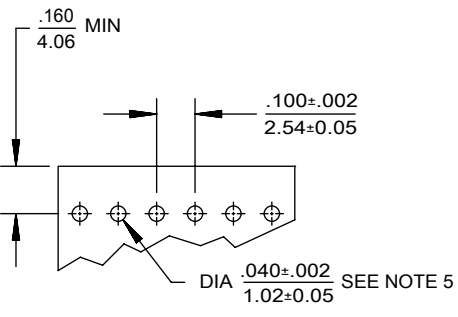


| CKTS | DIM A | DIM B |
|------|-------------|-------------|
| 2 | .200/5.08 | .100/2.54 |
| 3 | .300/7.62 | .200/5.08 |
| 4 | .400/10.16 | .300/7.62 |
| 5 | .500/12.70 | .400/10.16 |
| 6 | .600/15.24 | .500/12.70 |
| 7 | .700/17.78 | .600/15.24 |
| 8 | .800/20.32 | .700/17.78 |
| 9 | .900/22.86 | .800/20.32 |
| 10 | 1.000/25.40 | .900/22.86 |
| 11 | 1.100/27.94 | 1.000/25.40 |
| 12 | 1.200/30.48 | 1.100/27.94 |
| 13 | 1.300/33.02 | 1.200/30.48 |
| 14 | 1.400/35.56 | 1.300/33.02 |
| 15 | 1.500/38.10 | 1.400/35.56 |
| 16 | 1.600/40.64 | 1.500/38.10 |
| 17 | 1.700/43.18 | 1.600/40.64 |
| 18 | 1.800/45.72 | 1.700/43.18 |
| 19 | 1.900/48.26 | 1.800/45.72 |
| 20 | 2.000/50.80 | 1.900/48.26 |
| 21 | 2.100/53.34 | 2.000/50.80 |
| 22 | 2.200/55.88 | 2.100/53.34 |
| 23 | 2.300/58.42 | 2.200/55.88 |
| 24 | 2.400/60.96 | 2.300/58.42 |
| 25 | 2.500/63.50 | 2.400/60.96 |
| 26 | 2.600/66.04 | 2.500/63.50 |
| 27 | 2.700/68.58 | 2.600/66.04 |
| 28 | 2.800/71.12 | 2.700/68.58 |
| 29 | 2.900/73.66 | 2.800/71.12 |
| 30 | 3.000/76.20 | 2.900/73.66 |
| 31 | 3.100/78.74 | 3.000/76.20 |
| 32 | 3.200/81.28 | 3.100/78.74 |
| 33 | 3.300/83.82 | 3.200/81.28 |
| 34 | 3.400/86.36 | 3.300/83.82 |
| 35 | 3.500/88.90 | 3.400/86.36 |
| 36 | 3.600/91.44 | 3.500/88.90 |



REMOVED BACKWALLS OPTION
SEE NOTE 12



- NOTES:**
- MATERIAL: GLASS FILLED NYLON, 94V-0, COLOR: BLACK
 - FINISH:
 - (154) OVERALL TIN: .000100/0.00254 MIN, OVER .000050/0.00127 MIN NICKEL.
 - (208) SELECT GOLD: .000015/0.00038 MIN, SELECT TIN: .000100/0.00254 MIN, OVERALL NICKEL UNDERPLATE: .000050/0.00127 MIN.
 - (228) SELECT GOLD: .000030/0.00076 MIN, SELECT TIN: .000100/0.00254 MIN, OVERALL NICKEL UNDERPLATE: .000050/0.00127 MIN.
 - PRODUCT SPECIFICATION: PS-10-07
 - PACKAGING INFORMATION: SEE TABLES
 - KINK PIN OPTION NOT RECOMMENDED FOR 2 CIRCUIT PARTS. HOLE SIZE MAY NEED TO BE ADJUSTED ON 2 CIRCUIT PARTS WITH KINK OPTION FOR PROPER INSERTION INTO THE PCB. SEE SMES-42003 FOR ADDITIONAL INFORMATION ON KINK PIN DIRECTION AND PLACEMENT.
 - HEADERS ARE NOT STACKABLE ON .100/2.54 CENTERS.
 - SOLDERABILITY PER SMES-152.
 - PIN PUSH OUT FORCE: 3 LBS. MIN.
 - ABRASION MARKS ON BACK WALL SURFACE ARE PERMISSIBLE.
 - PARTS CONFORM TO CLASS 'B' REQUIREMENTS OF COSMETIC SPECIFICATION PS-45499-002.
 - PIN TIP DIMENSIONS ARE SHOWN FOR REFERENCE ONLY. DIMENSIONS APPLY PRIOR TO PLATING OR ASSEMBLY.
 - FIRST AND LAST CIRCUIT BACKWALLS MUST BE REMOVED WHEN MATING TO A PART WITH POLARIZING RIBS.
 - TEXT ON PART IS FOR REFERENCE ONLY. TEXT AND TEXT LOCATION MAY VARY DEPENDING ON PART NUMBER AND/OR TOOL.

| | | | | | | | | | |
|---|---|--------|---------|---|---------|--------|-----------------|----------------|--------------|
| THIS DRAWING CONTAINS INFORMATION THAT IS PROPRIETARY TO MOLEX ELECTRONIC TECHNOLOGIES, LLC AND SHOULD NOT BE USED WITHOUT WRITTEN PERMISSION | | | | | | | | | |
| DIMENSION UNITS | | SCALE | | CURRENT REV DESC: OBSOLETE PART NUMBER AS PER PCN#509451 | | | | | |
| INCH/MM | | 2:1 | | molex .100 FRICTION LOCK BREAKAWAY HEADER ASSY PRODUCT CUSTOMER DRAWING | | | | | |
| GENERAL TOLERANCES (UNLESS SPECIFIED) | | | | | | | | | |
| | | MM | INCH | EC NO: 686785 DRWN: SUGEEB CHKD: GGA APPR: GGA INITIAL REVISION: DRWN: JSCHAFFER APPR: MARGULIS | | | | | |
| 4 PLACES | ± | | | | | | | | |
| 3 PLACES | ± | 0.01 | | 2021/09/30 | | | | | |
| 2 PLACES | ± | 0.25 | ± 0.014 | 2022/02/28 | | | | | |
| 1 PLACE | ± | 0.36 | | 2022/02/28 | | | | | |
| 0 PLACES | ± | | | 2004/03/18 | | | | | |
| ANGULAR TOL | | ± 0.5° | | 2004/03/08 | | | | | |
| DRAFT WHERE APPLICABLE MUST REMAIN WITHIN DIMENSIONS | | | | THIRD ANGLE PROJECTION | DRAWING | SERIES | MATERIAL NUMBER | CUSTOMER | SHEET NUMBER |
| | | | | | B-SIZE | 42228 | SEE TABLE | GENERAL MARKET | 1 OF 5 |

| A-42228-0002/0036 | | | | | |
|--------------------|-----------------|-------------------------|------|-----------------|--------------|
| HEADER NUMBER: | | 41411 | | | |
| PIN NUMBER: | | 154 | | | |
| PIN LENGTH: L | | .705/17.91 | | | |
| MATING LENGTH: M | | .295/7.49 | | | |
| GOLD POINT: G | | N/A | | | |
| PC TAIL LENGTH: P | | .120/3.05 | | | |
| TIN: T | | OVERALL | | | |
| DIMENSION Y | | .022/0.56 | | | |
| CKTS: | | 2-36 | | | |
| KINKS: | | NO | | | |
| REMOVED BACKWALLS: | | NO | | | |
| VOIDED CKTS: | | NONE | | | |
| PACKAGING: | | BULK, PER PK-40873-0056 | | | |
| CKTS | MATERIAL NUMBER | ENG NUMBER | CKTS | MATERIAL NUMBER | ENG NUMBER |
| 02 | | | 20 | 22-28-1200 | A-42228-0020 |
| 03 | | | 21 | 22-28-1210 | A-42228-0021 |
| 04 | | | 22 | 22-28-1220 | A-42228-0022 |
| 05 | 22-28-1050 | A-42228-0005 | 23 | 22-28-1230 | A-42228-0023 |
| 06 | | | 24 | 22-28-1240 | A-42228-0024 |
| 07 | 22-28-1070 | A-42228-0007 | 25 | 22-28-1250 | A-42228-0025 |
| 08 | 22-28-1080 | A-42228-0008 | 26 | 22-28-1260 | A-42228-0026 |
| 09 | 22-28-1090 | A-42228-0009 | 27 | 22-28-1270 | A-42228-0027 |
| 10 | 22-28-1100 | A-42228-0010 | 28 | 22-28-1280 | A-42228-0028 |
| 11 | 22-28-1110 | A-42228-0011 | 29 | 22-28-1290 | A-42228-0029 |
| 12 | 22-28-1120 | A-42228-0012 | 30 | 22-28-1300 | A-42228-0030 |
| 13 | 22-28-1130 | A-42228-0013 | 31 | 22-28-1310 | A-42228-0031 |
| 14 | | | 32 | 22-28-1320 | A-42228-0032 |
| 15 | 22-28-1150 | A-42228-0015 | 33 | 22-28-1330 | A-42228-0033 |
| 16 | 22-28-1160 | A-42228-0016 | 34 | 22-28-1340 | A-42228-0034 |
| 17 | 22-28-1170 | A-42228-0017 | 35 | 22-28-1350 | A-42228-0035 |
| 18 | 22-28-1180 | A-42228-0018 | 36 | | |
| 19 | 22-28-1190 | A-42228-0019 | | | |

| A-42228-0037/0071 | | | | | |
|--------------------|-----------------|-------------------------|------|-----------------|--------------|
| HEADER NUMBER: | | 41411 | | | |
| PIN NUMBER: | | 208 | | | |
| PIN LENGTH: L | | .705/17.91 | | | |
| MATING LENGTH: M | | .295/7.49 | | | |
| GOLD POINT: G | | .140/3.56 | | | |
| PC TAIL LENGTH: P | | .120/3.05 | | | |
| TIN: T | | .135/3.43 | | | |
| DIMENSION Y | | .022/0.56 | | | |
| CKTS: | | 2-36 | | | |
| KINKS: | | NO | | | |
| REMOVED BACKWALLS: | | NO | | | |
| VOIDED CKTS: | | NONE | | | |
| PACKAGING: | | BULK, PER PK-40873-0056 | | | |
| CKTS | MATERIAL NUMBER | ENG NUMBER | CKTS | MATERIAL NUMBER | ENG NUMBER |
| 02 | | | 20 | 22-28-1201 | A-42228-0055 |
| 03 | 22-28-1031 | A-42228-0038 | 21 | 22-28-1211 | A-42228-0056 |
| 04 | | | 22 | 22-28-1221 | A-42228-0057 |
| 05 | 22-28-1051 | A-42228-0040 | 23 | 22-28-1231 | A-42228-0058 |
| 06 | 22-28-1061 | A-42228-0041 | 24 | 22-28-1241 | A-42228-0059 |
| 07 | | | 25 | 22-28-1251 | A-42228-0060 |
| 08 | 22-28-1081 | A-42228-0043 | 26 | 22-28-1261 | A-42228-0061 |
| 09 | | | 27 | 22-28-1271 | A-42228-0062 |
| 10 | | | 28 | 22-28-1281 | A-42228-0063 |
| 11 | 22-28-1111 | A-42228-0046 | 29 | 22-28-1291 | A-42228-0064 |
| 12 | 22-28-1121 | A-42228-0047 | 30 | 22-28-1301 | A-42228-0065 |
| 13 | 22-28-1131 | A-42228-0048 | 31 | 22-28-1311 | A-42228-0066 |
| 14 | 22-28-1141 | A-42228-0049 | 32 | 22-28-1321 | A-42228-0067 |
| 15 | 22-28-1151 | A-42228-0050 | 33 | 22-28-1332 | A-42228-0068 |
| 16 | 22-28-1161 | A-42228-0051 | 34 | 22-28-1341 | A-42228-0069 |
| 17 | 22-28-1171 | A-42228-0052 | 35 | 22-28-1351 | A-42228-0070 |
| 18 | 22-28-1181 | A-42228-0053 | 36 | | |
| 19 | 22-28-1191 | A-42228-0054 | | | |

| | | | | | | | | | | | | |
|---|--|---------------------|--|---|--|----------------------------|--|--------------------------|--|-----------------|-----|----------|
| THIS DRAWING CONTAINS INFORMATION THAT IS PROPRIETARY TO MOLEX ELECTRONIC TECHNOLOGIES, LLC AND SHOULD NOT BE USED WITHOUT WRITTEN PERMISSION | | | | | | | | | | | | |
| DIMENSION UNITS INCH/MM | | SCALE 1:1 | | CURRENT REV DESC: OBSOLETE PART NUMBER AS PER PCN#509451 | | | | | | molex | | |
| GENERAL TOLERANCES (UNLESS SPECIFIED) | | | | EC NO: 686785 | | DRWN: SUGEEB 2021/09/30 | | PRODUCT CUSTOMER DRAWING | | | | |
| 4 PLACES ± | | MM | | INCH | | CHKD: GGA 2022/02/28 | | | | DOCUMENT NUMBER | | DOC TYPE |
| 3 PLACES ± | | 0.01 | | | | APPR: GGA 2022/02/28 | | SD-42228-001 | | PSD | 001 | L10 |
| 2 PLACES ± | | 0.25 | | 0.014 | | INITIAL REVISION: | | MATERIAL NUMBER | | CUSTOMER | | |
| 1 PLACE ± | | 0.36 | | | | DRWN: JSCHAFFER 2004/03/18 | | SEE TABLE | | GENERAL MARKET | | |
| 0 PLACES ± | | | | | | APPR: MARGULIS 2004/03/08 | | SERIES | | SHEET NUMBER | | |
| ANGULAR TOL ± | | 0.5° | | | | THIRD ANGLE PROJECTION | | B-SIZE | | 42228 | | |
| DRAFT WHERE APPLICABLE MUST REMAIN WITHIN DIMENSIONS | | | | | | | | | | | | |

| A-42228-0072/0106 | | | | | |
|--------------------|-----------------|-------------------------|------|-----------------|--------------|
| HEADER NUMBER: | | 41411 | | | |
| PIN NUMBER: | | 228 | | | |
| PIN LENGTH: L | | .705/17.91 | | | |
| MATING LENGTH: M | | .295/7.49 | | | |
| GOLD POINT: G | | .140/3.56 | | | |
| PC TAIL LENGTH: P | | .120/3.05 | | | |
| TIN: T | | .135/3.43 | | | |
| DIMENSION Y | | .022/0.56 | | | |
| CKTS: | | 2-36 | | | |
| KINKS: | | NO | | | |
| REMOVED BACKWALLS: | | NO | | | |
| VOIDED CKTS: | | NONE | | | |
| PACKAGING: | | BULK, PER PK-40873-0056 | | | |
| CKTS | MATERIAL NUMBER | ENG NUMBER | CKTS | MATERIAL NUMBER | ENG NUMBER |
| 02 | | | 20 | 22-28-1202 | A-42228-0090 |
| 03 | 22-28-1032 | A-42228-0073 | 21 | 22-28-1212 | A-42228-0091 |
| 04 | 22-28-1042 | A-42228-0074 | 22 | 22-28-1222 | A-42228-0092 |
| 05 | 22-28-1052 | A-42228-0075 | 23 | 22-28-1232 | A-42228-0093 |
| 06 | 22-28-1062 | A-42228-0076 | 24 | 22-28-1242 | A-42228-0094 |
| 07 | 22-28-1072 | A-42228-0077 | 25 | 22-28-1252 | A-42228-0095 |
| 08 | 22-28-1082 | A-42228-0078 | 26 | 22-28-1262 | A-42228-0096 |
| 09 | 22-28-1092 | A-42228-0079 | 27 | 22-28-1272 | A-42228-0097 |
| 10 | 22-28-1102 | A-42228-0080 | 28 | 22-28-1282 | A-42228-0098 |
| 11 | 22-28-1112 | A-42228-0081 | 29 | 22-28-1292 | A-42228-0099 |
| 12 | 22-28-1122 | A-42228-0082 | 30 | 22-28-1302 | A-42228-0100 |
| 13 | 22-28-1132 | A-42228-0083 | 31 | 22-28-1312 | A-42228-0101 |
| 14 | 22-28-1142 | A-42228-0084 | 32 | 22-28-1322 | A-42228-0102 |
| 15 | 22-28-1152 | A-42228-0085 | 33 | 22-28-1332 | A-42228-0103 |
| 16 | 22-28-1162 | A-42228-0086 | 34 | 22-28-1342 | A-42228-0104 |
| 17 | 22-28-1172 | A-42228-0087 | 35 | 22-28-1352 | A-42228-0105 |
| 18 | 22-28-1182 | A-42228-0088 | 36 | 22-28-1362 | A-42228-0106 |
| 19 | 22-28-1192 | A-42228-0089 | | | |

| A-42228-0107/0141 | | | | | |
|--------------------|-----------------|-------------------------|------|-----------------|--------------|
| HEADER NUMBER: | | 41411 | | | |
| PIN NUMBER: | | 154 | | | |
| PIN LENGTH: L | | .720/18.29 | | | |
| MATING LENGTH: M | | .295/7.49 | | | |
| GOLD POINT: G | | N/A | | | |
| PC TAIL LENGTH: P | | .135/3.43 | | | |
| TIN: T | | OVERALL | | | |
| DIMENSION Y | | .022/0.56 | | | |
| CKTS: | | 2-36 | | | |
| KINKS: | | YES SMES-42003 | | | |
| REMOVED BACKWALLS: | | NO | | | |
| VOIDED CKTS: | | NONE | | | |
| PACKAGING: | | BULK, PER PK-40873-0056 | | | |
| CKTS | MATERIAL NUMBER | ENG NUMBER | CKTS | MATERIAL NUMBER | ENG NUMBER |
| 02 | | | 20 | 22-28-1203 | A-42228-0125 |
| 03 | 22-28-1033 | A-42228-0108 | 21 | 22-28-1213 | A-42228-0126 |
| 04 | 22-28-1043 | A-42228-0109 | 22 | 22-28-1223 | A-42228-0127 |
| 05 | | | 23 | 22-28-1233 | A-42228-0128 |
| 06 | 22-28-1063 | A-42228-0111 | 24 | 22-28-1243 | A-42228-0129 |
| 07 | 22-28-1073 | A-42228-0112 | 25 | 22-28-1253 | A-42228-0130 |
| 08 | 22-28-1083 | A-42228-0113 | 26 | 22-28-1263 | A-42228-0131 |
| 09 | 22-28-1093 | A-42228-0114 | 27 | 22-28-1273 | A-42228-0132 |
| 10 | 22-28-1103 | A-42228-0115 | 28 | 22-28-1283 | A-42228-0133 |
| 11 | 22-28-1113 | A-42228-0116 | 29 | 22-28-1293 | A-42228-0134 |
| 12 | 22-28-1123 | A-42228-0117 | 30 | 22-28-1303 | A-42228-0135 |
| 13 | 22-28-1133 | A-42228-0118 | 31 | 22-28-1313 | A-42228-0136 |
| 14 | 22-28-1143 | A-42228-0119 | 32 | 22-28-1323 | A-42228-0137 |
| 15 | 22-28-1153 | A-42228-0120 | 33 | 22-28-1333 | A-42228-0138 |
| 16 | 22-28-1163 | A-42228-0121 | 34 | 22-28-1343 | A-42228-0139 |
| 17 | 22-28-1173 | A-42228-0122 | 35 | 22-28-1353 | A-42228-0140 |
| 18 | 22-28-1183 | A-42228-0123 | 36 | 22-28-1363 | A-42228-0141 |
| 19 | 22-28-1193 | A-42228-0124 | | | |

| | | | | | | | | | | | | |
|---|--|---------------------|--|---|--|------------|--|--------------------------|--|----------------|----------|--------------|
| THIS DRAWING CONTAINS INFORMATION THAT IS PROPRIETARY TO MOLEX ELECTRONIC TECHNOLOGIES, LLC AND SHOULD NOT BE USED WITHOUT WRITTEN PERMISSION | | | | | | | | | | | | |
| DIMENSION UNITS INCH/MM | | SCALE 1:1 | | CURRENT REV DESC: OBSOLETE PART NUMBER AS PER PCN#509451 | | | | | | molex | | |
| GENERAL TOLERANCES (UNLESS SPECIFIED) | | | | EC NO: 686785 | | 2021/09/30 | | PRODUCT CUSTOMER DRAWING | | | | |
| 4 PLACES ± | | ± | | DRWN: SUGEEB | | 2022/02/28 | | | | | | |
| 3 PLACES ± | | ± 0.01 | | CHKD: GGA | | 2022/02/28 | | DOCUMENT NUMBER | | DOC TYPE | DOC PART | REVISION |
| 2 PLACES ± 0.25 | | ± 0.014 | | APPR: GGA | | 2022/02/28 | | SD-42228-001 | | PSD | 001 | L10 |
| 1 PLACE ± 0.36 | | ± | | INITIAL REVISION: | | 2004/03/18 | | MATERIAL NUMBER | | CUSTOMER | | SHEET NUMBER |
| 0 PLACES ± | | ± | | DRWN: JSCHAFFER | | 2004/03/08 | | SEE TABLE | | GENERAL MARKET | | 3 OF 5 |
| ANGULAR TOL ± 0.5° | | ± | | APPR: MARGULIS | | | | | | | | |
| DRAFT WHERE APPLICABLE MUST REMAIN WITHIN DIMENSIONS | | | | THIRD ANGLE PROJECTION | | DRAWING | | SERIES | | 42228 | | |
| | | | | | | B-SIZE | | | | | | |

| A-42228-0142/0176 | | | | | |
|--------------------|-----------------|-------------------------|------|-----------------|--------------|
| HEADER NUMBER: | | 41411 | | | |
| PIN NUMBER: | | 208 | | | |
| PIN LENGTH: L | | .720/18.29 | | | |
| MATING LENGTH: M | | .295/7.49 | | | |
| GOLD POINT: G | | .140/3.56 | | | |
| PC TAIL LENGTH: P | | .135/3.43 | | | |
| TIN: T | | .135/3.43 | | | |
| DIMENSION Y | | .022/0.56 | | | |
| CKTS: | | 2-36 | | | |
| KINKS: | | YES SMES-42003 | | | |
| REMOVED BACKWALLS: | | NO | | | |
| VOIDED CKTS: | | NONE | | | |
| PACKAGING: | | BULK, PER PK-40873-0056 | | | |
| CKTS | MATERIAL NUMBER | ENG NUMBER | CKTS | MATERIAL NUMBER | ENG NUMBER |
| 02 | 22-28-1024 | A-42228-0142 | 20 | 22-28-1204 | A-42228-0160 |
| 03 | 22-28-1034 | A-42228-0143 | 21 | 22-28-1214 | A-42228-0161 |
| 04 | 22-28-1044 | A-42228-0144 | 22 | 22-28-1224 | A-42228-0162 |
| 05 | 22-28-1054 | A-42228-0145 | 23 | 22-28-1234 | A-42228-0163 |
| 06 | 22-28-1064 | A-42228-0146 | 24 | 22-28-1244 | A-42228-0164 |
| 07 | 22-28-1074 | A-42228-0147 | 25 | 22-28-1254 | A-42228-0165 |
| 08 | 22-28-1084 | A-42228-0148 | 26 | 22-28-1264 | A-42228-0166 |
| 09 | 22-28-1094 | A-42228-0149 | 27 | 22-28-1274 | A-42228-0167 |
| 10 | 22-28-1104 | A-42228-0150 | 28 | 22-28-1284 | A-42228-0168 |
| 11 | 22-28-1114 | A-42228-0151 | 29 | 22-28-1294 | A-42228-0169 |
| 12 | 22-28-1124 | A-42228-0152 | 30 | 22-28-1304 | A-42228-0170 |
| 13 | 22-28-1134 | A-42228-0153 | 31 | 22-28-1314 | A-42228-0171 |
| 14 | 22-28-1144 | A-42228-0154 | 32 | 22-28-1324 | A-42228-0172 |
| 15 | 22-28-1154 | A-42228-0155 | 33 | 22-28-1334 | A-42228-0173 |
| 16 | 22-28-1164 | A-42228-0156 | 34 | 22-28-1344 | A-42228-0174 |
| 17 | 22-28-1174 | A-42228-0157 | 35 | 22-28-1354 | A-42228-0175 |
| 18 | 22-28-1184 | A-42228-0158 | 36 | 22-28-1364 | A-42228-0176 |
| 19 | 22-28-1194 | A-42228-0159 | | | |

| A-42228-0177/0211 | | | | | |
|--------------------|-----------------|-------------------------|------|-----------------|--------------|
| HEADER NUMBER: | | 41411 | | | |
| PIN NUMBER: | | 228 | | | |
| PIN LENGTH: L | | .720/18.29 | | | |
| MATING LENGTH: M | | .295/7.49 | | | |
| GOLD POINT: G | | .140/3.56 | | | |
| PC TAIL LENGTH: P | | .135/3.43 | | | |
| TIN: T | | .135/3.43 | | | |
| DIMENSION Y | | .022/0.56 | | | |
| CKTS: | | 2-36 | | | |
| KINKS: | | YES SMES-42003 | | | |
| REMOVED BACKWALLS: | | NO | | | |
| VOIDED CKTS: | | NONE | | | |
| PACKAGING: | | BULK, PER PK-40873-0056 | | | |
| CKTS | MATERIAL NUMBER | ENG NUMBER | CKTS | MATERIAL NUMBER | ENG NUMBER |
| 02 | 22-28-1025 | A-42228-0177 | 20 | 22-28-1205 | A-42228-0195 |
| 03 | 22-28-1035 | A-42228-0178 | 21 | 22-28-1215 | A-42228-0196 |
| 04 | 22-28-1045 | A-42228-0179 | 22 | 22-28-1225 | A-42228-0197 |
| 05 | 22-28-1055 | A-42228-0180 | 23 | 22-28-1235 | A-42228-0198 |
| 06 | 22-28-1065 | A-42228-0181 | 24 | 22-28-1245 | A-42228-0199 |
| 07 | 22-28-1075 | A-42228-0182 | 25 | 22-28-1255 | A-42228-0200 |
| 08 | 22-28-1085 | A-42228-0183 | 26 | 22-28-1265 | A-42228-0201 |
| 09 | 22-28-1095 | A-42228-0184 | 27 | 22-28-1275 | A-42228-0202 |
| 10 | 22-28-1105 | A-42228-0185 | 28 | 22-28-1285 | A-42228-0203 |
| 11 | 22-28-1115 | A-42228-0186 | 29 | 22-28-1295 | A-42228-0204 |
| 12 | 22-28-1125 | A-42228-0187 | 30 | 22-28-1305 | A-42228-0205 |
| 13 | 22-28-1135 | A-42228-0188 | 31 | 22-28-1315 | A-42228-0206 |
| 14 | 22-28-1145 | A-42228-0189 | 32 | 22-28-1325 | A-42228-0207 |
| 15 | 22-28-1155 | A-42228-0190 | 33 | 22-28-1335 | A-42228-0208 |
| 16 | | | 34 | 22-28-1345 | A-42228-0209 |
| 17 | 22-28-1175 | A-42228-0192 | 35 | 22-28-1355 | A-42228-0210 |
| 18 | 22-28-1185 | A-42228-0193 | 36 | 22-28-1365 | A-42228-0211 |
| 19 | 22-28-1195 | A-42228-0194 | | | |

| | | | | | | | | | | | | |
|---|--|---------------------|--|---|--|------------|--|--------------------------|--|----------------|----------|--------------|
| THIS DRAWING CONTAINS INFORMATION THAT IS PROPRIETARY TO MOLEX ELECTRONIC TECHNOLOGIES, LLC AND SHOULD NOT BE USED WITHOUT WRITTEN PERMISSION | | | | | | | | | | | | |
| DIMENSION UNITS INCH/MM | | SCALE 1:1 | | CURRENT REV DESC: OBSOLETE PART NUMBER AS PER PCN#509451 | | | | | | molex | | |
| GENERAL TOLERANCES (UNLESS SPECIFIED) | | | | EC NO: 686785 | | 2021/09/30 | | PRODUCT CUSTOMER DRAWING | | | | |
| 4 PLACES ± | | ± | | DRWN: SUGEEB | | 2022/02/28 | | | | | | |
| 3 PLACES ± | | ± 0.01 | | CHKD: GGA | | 2022/02/28 | | DOCUMENT NUMBER | | DOC TYPE | DOC PART | REVISION |
| 2 PLACES ± | | 0.25 ± 0.014 | | APPR: GGA | | 2022/02/28 | | SD-42228-001 | | PSD | 001 | L10 |
| 1 PLACE ± | | 0.36 ± | | INITIAL REVISION: | | | | MATERIAL NUMBER | | CUSTOMER | | SHEET NUMBER |
| 0 PLACES ± | | ± | | DRWN: JSCHAFFER | | 2004/03/18 | | SEE TABLE | | GENERAL MARKET | | 4 OF 5 |
| ANGULAR TOL ± | | 0.5° | | APPR: MARGULIS | | 2004/03/08 | | | | | | |
| DRAFT WHERE APPLICABLE MUST REMAIN WITHIN DIMENSIONS | | | | THIRD ANGLE PROJECTION | | DRAWING | | SERIES | | B-SIZE | | 42228 |

| | |
|--------------------|-----------------------------|
| 42228-0212/0246 | |
| HEADER NUMBER: | 41411 |
| PIN NUMBER: | 154 |
| PIN LENGTH: L | .705/17.91 |
| MATING LENGTH: M | .295/7.49 |
| GOLD POINT: G | N/A |
| PC TAIL LENGTH: P | .120/3.05 |
| TIN: T | OVERALL |
| DIMENSION Y | .022/0.56 |
| CKTS: | 2-36 |
| KINKS: | NO |
| REMOVED BACKWALLS: | NO |
| VOIDED CKTS: | NONE |
| PACKAGING: | TAPE AND REEL, 422281000-PK |

| CKTS | MATERIAL NUMBER | ENG NUMBER | CKTS | MATERIAL NUMBER | ENG NUMBER |
|------|-----------------|------------|------|-----------------|------------|
| 02 | | | 20 | | |
| 03 | 42228-0213 | 42228-0213 | 21 | | |
| 04 | | | 22 | | |
| 05 | | | 23 | | |
| 06 | | | 24 | | |
| 07 | | | 25 | | |
| 08 | | | 26 | | |
| 09 | | | 27 | | |
| 10 | | | 28 | | |
| 11 | | | 29 | | |
| 12 | | | 30 | | |
| 13 | | | 31 | | |
| 14 | | | 32 | | |
| 15 | | | 33 | | |
| 16 | | | 34 | | |
| 17 | | | 35 | | |
| 18 | | | 36 | | |
| 19 | | | | | |

| | | | | | | | | | |
|---|--------|---------------------|------------------------|---|--|---------|---|------------------------------|----------------------------|
| THIS DRAWING CONTAINS INFORMATION THAT IS PROPRIETARY TO MOLEX ELECTRONIC TECHNOLOGIES, LLC AND SHOULD NOT BE USED WITHOUT WRITTEN PERMISSION | | | | | | | | | |
| DIMENSION UNITS INCH/MM | | SCALE 1:1 | | CURRENT REV DESC: OBSOLETE PART NUMBER AS PER PCN#509451 | | | molex | | |
| GENERAL TOLERANCES (UNLESS SPECIFIED) | | | | EC NO: 686785 | | | | | |
| | MM | INCH | | DRWN: SUGEEB 2021/09/30 | | | .100 FRICTION LOCK BREAKAWAY HEADER ASSY | | |
| 4 PLACES | ± | ± | | CHKD: GGA 2022/02/28 | | | | | |
| 3 PLACES | ± | ± 0.01 | | APPR: GGA 2022/02/28 | | | PRODUCT CUSTOMER DRAWING | | |
| 2 PLACES | ± 0.25 | ± 0.014 | | INITIAL REVISION: | | | DOCUMENT NUMBER | | |
| 1 PLACE | ± 0.36 | ± | | DRWN: JSCHAFFER 2004/03/18 | | | SD-42228-001 | | |
| 0 PLACES | ± | ± | | APPR: MARGULIS 2004/03/08 | | | DOC TYPE DOC PART REVISION PSD 001 L10 | | |
| ANGULAR TOL ± 0.5° | | | THIRD ANGLE PROJECTION | | | DRAWING | | | SHEET NUMBER |
| DRAFT WHERE APPLICABLE MUST REMAIN WITHIN DIMENSIONS | | | | | | B-SIZE | SERIES 42228 | MATERIAL NUMBER SEE TABLE | CUSTOMER GENERAL MARKET |

| | | | | |
|-----------------|----|--------------|------------|----------|
| DOCUMENT STATUS | P1 | RELEASE DATE | 2022/02/28 | 11:53:41 |
|-----------------|----|--------------|------------|----------|