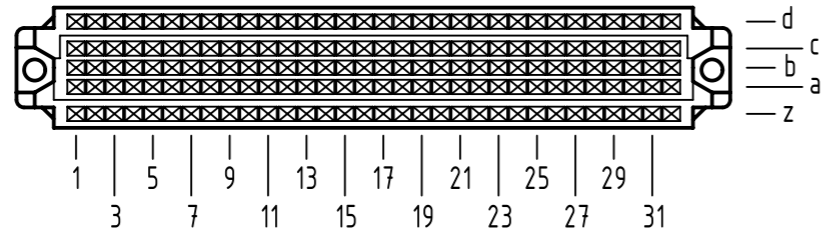
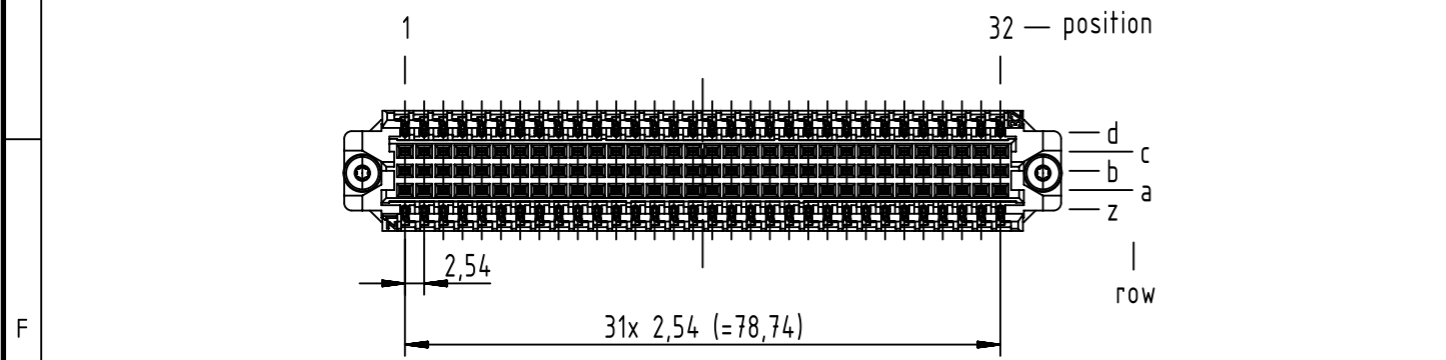
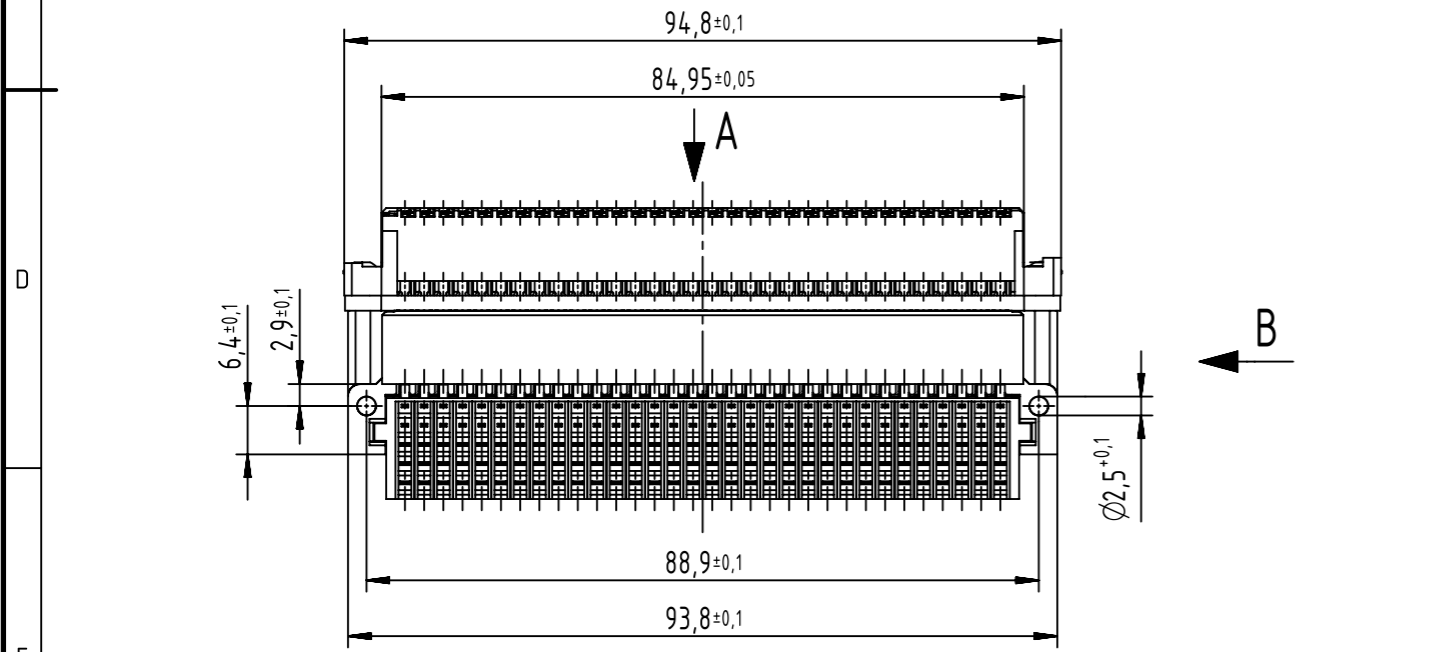
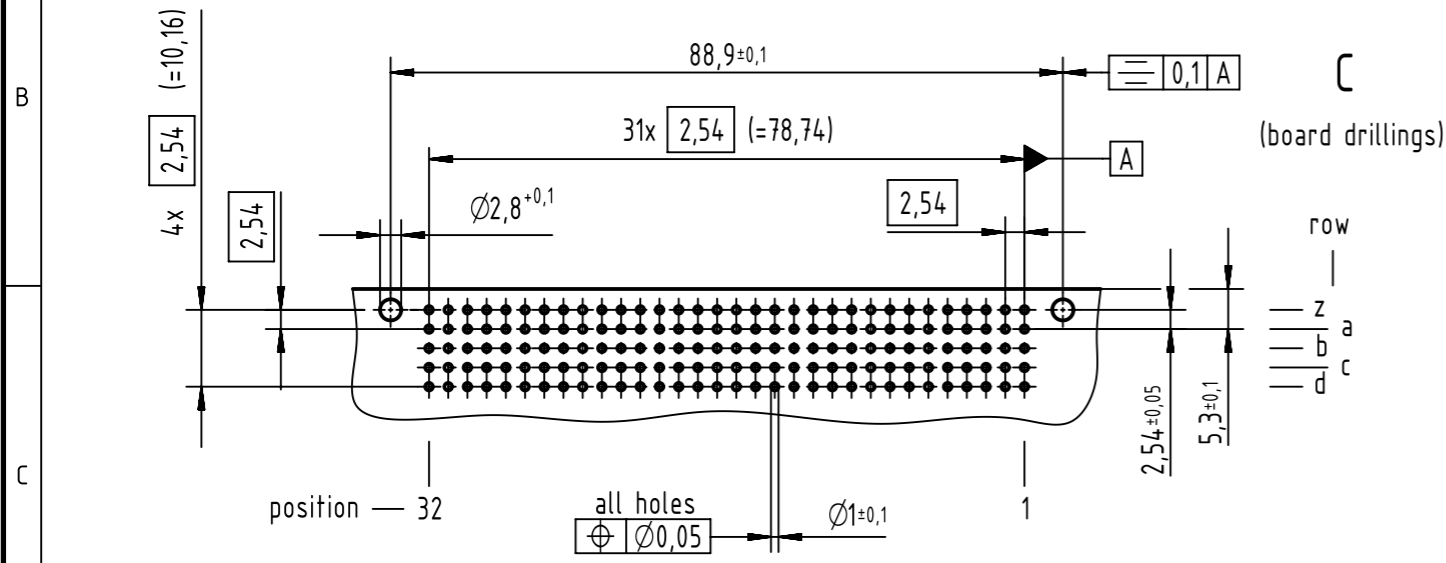


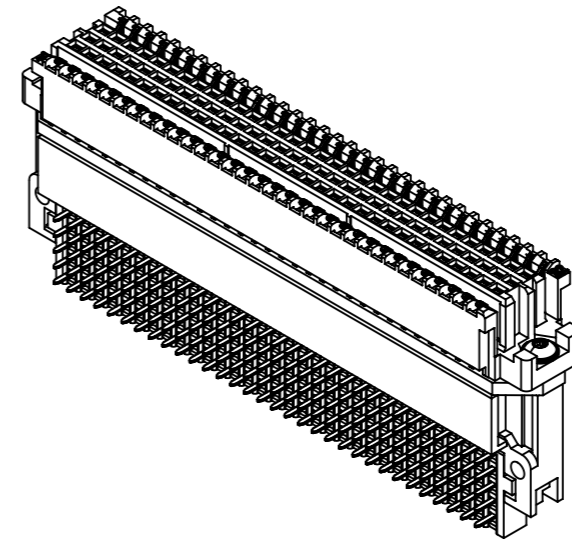
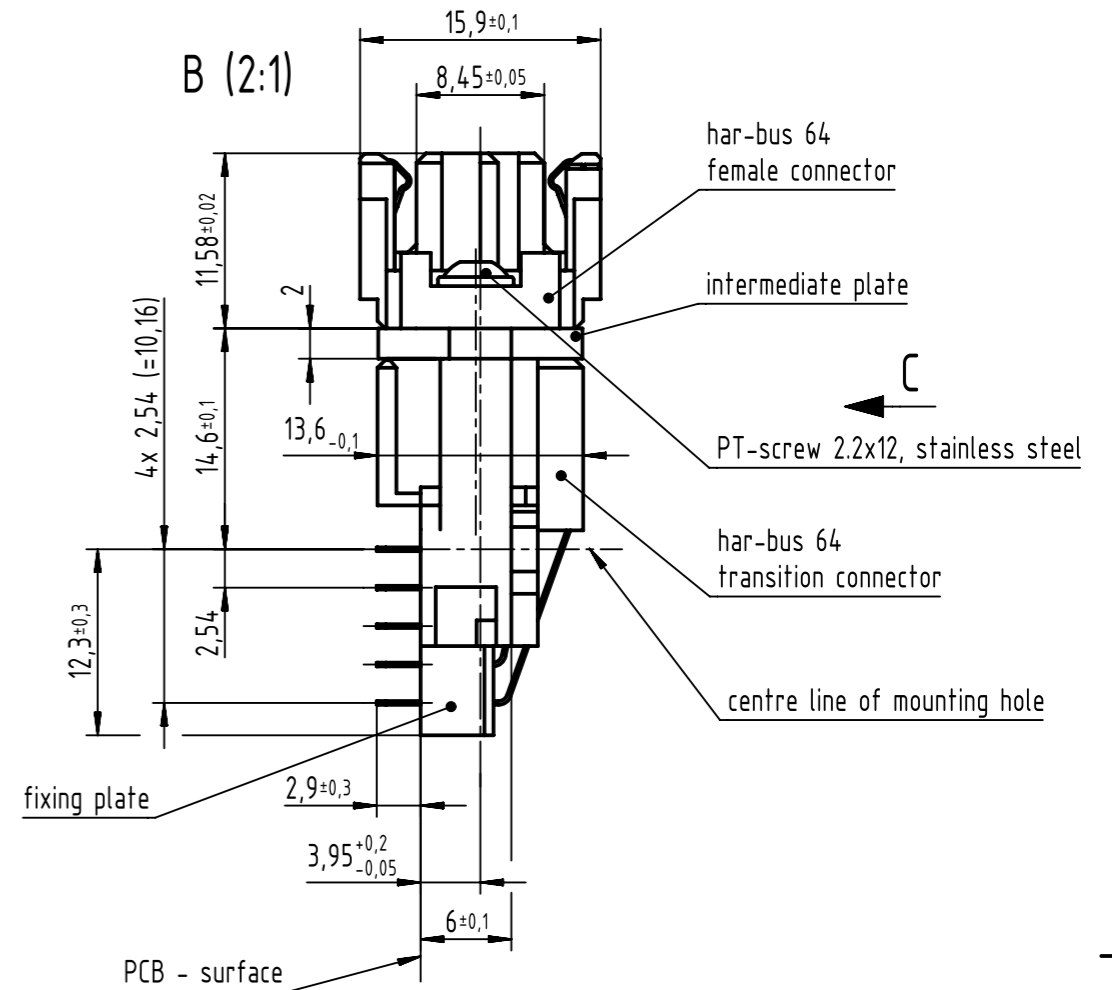
A
contact arrangement



160 signal contacts
 ☒ = position with contact
 □ = position without contact



B (2:1)



1 further information see: DS 02072200201

02 07 160 1101	1
part-no.	performance level 1

	All Dimensions in mm Original Size DIN A3	Scale 1:1	Free size tol. complementary IEC 61076-4-113	Ref. Sub. TB 02 07 160 x101 / Mod. 35956 / 03.12.2009		
	All rights reserved Department EC PD - DE	Created by TADJE	Inspected by DAHMS	Standardisation HOFFMANN	Date 2015-11-05	State Final Release
HARTING Electronics GmbH D-32339 Espelkamp		Title har-bus 64 extender card connector solder			Doc-Key / ECM-Nr. 100125640/UGD/004/C 50000096648	
		Type TB	Number 0207160X101		Rev. C	Page 1/1