

PLEASE CHECK WWW.MOLEX.COM FOR LATEST PART INFORMATION

Part Number: [0351500412](#)
Status: **Active**
Overview: [VersaBlade Wire-to-Wire Connector System](#)
Description: Wire-to-Wire VersaBlade Hybrid Plug Housing, with Mounting Ears, 4 Circuits, Polyester UL94V-0, Red

Documents:

[3D Model](#) [Packaging Specification PK-35150-004-001 \(PDF\)](#)
[Drawing \(PDF\)](#) [RoHS Certificate of Compliance \(PDF\)](#)

Agency Certification

CSA LR19980
 UL E29179

General

Product Family Crimp Housings
 Series [35150](#)
 Application Power, Wire-to-Wire
 Comments Polarized to Mating Part, Positive Lock, Polarized to Mating Part, Positive Lock
 Overview [VersaBlade Wire-to-Wire Connector System](#)
 Product Name VersaBlade
 UPC 822348085316

Physical

Circuits (maximum) 4
 Color - Resin Red
 Flammability 94V-0
 Gender Plug
 Glow-Wire Capable No
 Keying to Mating Part None
 Lock to Mating Part Yes
 Material - Resin Polyester
 Net Weight 4.840/g
 Number of Rows 2
 Packaging Type Bag
 Panel Mount Yes
 Pitch - Mating Interface 6.20mm
 Pitch - Termination Interface 6.20mm
 Polarized to Mating Part Yes
 Stackable No
 Temperature Range - Operating -40° to +120°C

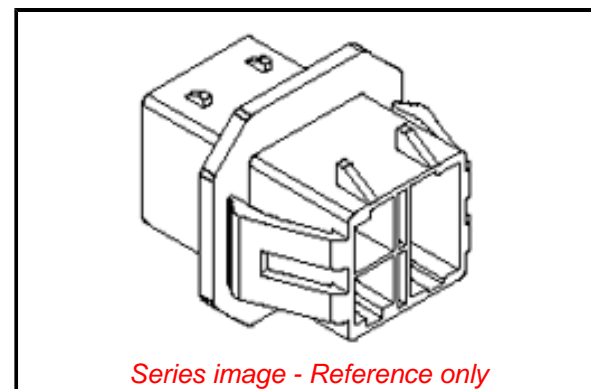
Solder Process Data

Lead-freeProcess Capability N/A

Material Info

Reference - Drawing Numbers

Packaging Specification PK-35150-004-001
 Sales Drawing SD-35150-0410



Series image - Reference only

EU ELV

Not Relevant

EU RoHS

Compliant

REACH SVHC

Not Contained Per - ED/71/2019 (16 July 2019)

Halogen-Free

Status

Not Low-Halogen

For more information, please visit [Contact US](#)

China ROHS

ELV

RoHS Phthalates

China RoHS

Green Image

Not Relevant

Not Contained

Search Parts in this Series

[35150 Series](#)

Mates With

Receptacle Housing [35151](#)

Use With

VersaBlade Crimp Terminals [35745](#) , [35746](#) , [35747](#) , [35748](#) , TPA [35150](#)