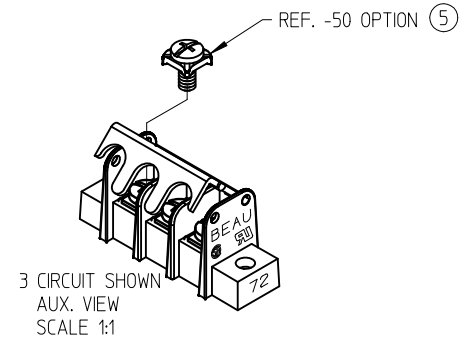
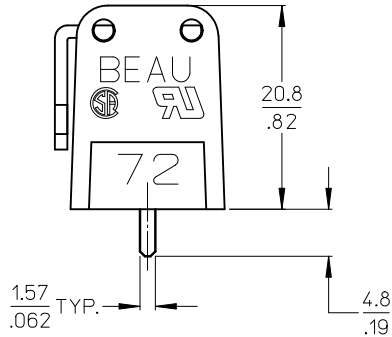
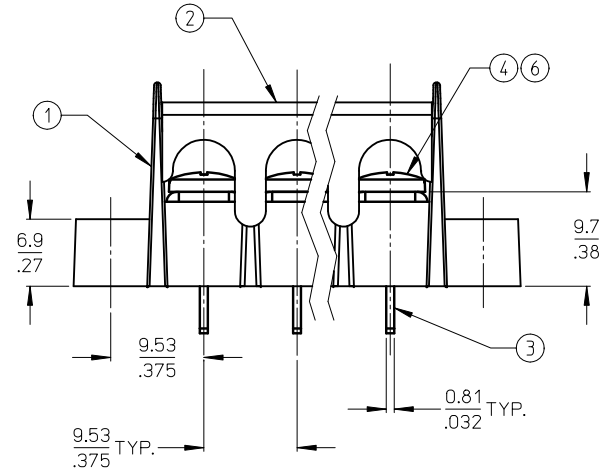
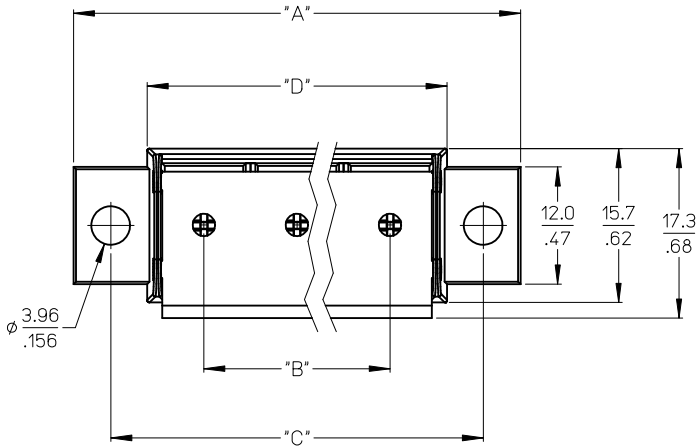


MATERIAL NUMBER (STANDARD)	MATERIAL NUMBER (-56 OPT) (B)	MATERIAL NUMBER (-50 OPT)	NO. OF CIRCUITS	A	B	C	D
			2	40.2 (1.58)	9.5 (.38)	28.6 (1.13)	21.2 (.83)
387291451			3	49.7 (1.96)	19.1 (.75)	38.1 (1.50)	30.7 (1.21)
387291244		387291464	4	59.3 (2.33)	28.6 (1.13)	47.6 (1.88)	40.2 (1.58)
387291450			5	68.8 (2.71)	38.1 (1.50)	57.2 (2.25)	49.7 (1.96)
			6	78.3 (3.08)	47.6 (1.88)	66.7 (2.63)	59.3 (2.33)
			7	87.8 (3.46)	57.2 (2.25)	76.2 (3.00)	68.8 (2.71)
	387291369		8	97.4 (3.83)	66.7 (2.63)	85.7 (3.38)	78.3 (3.08)
			9	106.9 (4.21)	76.2 (3.00)	95.3 (3.75)	87.8 (3.46)
			10	116.4 (4.58)	85.7 (3.38)	104.8 (4.13)	97.4 (3.83)
	387291370		11	125.9 (4.96)	95.3 (3.75)	114.3 (4.50)	106.9 (4.21)
			12	135.5 (5.33)	104.8 (4.13)	123.8 (4.88)	116.4 (4.58)
			13	145.0 (5.71)	114.3 (4.50)	133.4 (5.25)	125.9 (4.96)
			14	154.5 (6.08)	123.8 (4.88)	142.9 (5.63)	135.5 (5.33)
			15	164.0 (6.46)	133.4 (5.25)	152.4 (6.00)	145.0 (5.71)
			16	173.6 (6.83)	142.9 (5.63)	161.9 (6.38)	154.5 (6.08)



- NOTES:
1. MATERIAL: SEE TABLE
 2. FINISHES: SEE TABLE
 3. PRODUCT SPECIFICATION: NOT REQUIRED
 4. "XX" REFERS TO QTY. OF CIRCUITS
 5. ROHS COMPLIANT

ITEM	QTY.	DESCRIPTION	MATERIAL	FINISH
6	XX	SCREW,#6-32X.250 BHD,PHIL-SLOT SS (-56 OPT)	STAINLESS STEEL	PASSIVATE
5	XX	SCRW&WSHR,#6-32X.25 PANHD,PH-SL (-50 OPT)	STEEL	ZN, CLEAR CHROMATE
4	XX	SCREW,#6-32X.250,BHD,PHIL-SLOT (STD)	STEEL	ZN, CLEAR CHROMATE
3	XX	TERMINAL, PC , #6-32	BRASS	TIN PLATE
2	1	COVER HINGE	POLYESTER (PBT)	BLACK
1	1	SR BARRIER, PC, CS	POLYESTER (PBT)	BLACK

CHANGE SCREW, REDRAW
 EC NO: WINA2011-0086
 DRAWN: JENC INAS 2010/09/01
 CHKD: CHYK 2011/05/06
 APPR: JMACNEIL

QUALITY SYMBOLS
 ▽=0
 ▽=0

GENERAL TOLERANCES (UNLESS SPECIFIED)

	mm	INCH
4 PLACES	± .005	± .0005
3 PLACES	± .010	± .0010
2 PLACES	± 0.13	± .010
1 PLACE	± 0.3	± .0125

ANGULAR ± 2 °

DRAFT WHERE APPLICABLE MUST REMAIN WITHIN DIMENSIONS

DIMENSION STYLE
MM/IN

SCALE
2:1

DESIGN UNITS
INCH

THIRD ANGLE PROJECTION

DRAWN BY
 JENC INAS

DATE
 2010/09/01

CHECKED BY
 CLYORK

DATE
 2010/09/01

APPROVED BY
 JMACNEIL

DATE
 2011/05/06

MATERIAL NO.
SEE CHART

TITLE
9.53/.375" SR BTS, CS, PC TAIL, MTG, W/H COVER (72R5XX-H)

MOLEX INCORPORATED

DOCUMENT NO.
SD-38729-016

SHEET NO.
1 OF 1

THIS DRAWING CONTAINS INFORMATION THAT IS PROPRIETARY TO MOLEX INCORPORATED AND SHOULD NOT BE USED WITHOUT WRITTEN PERMISSION