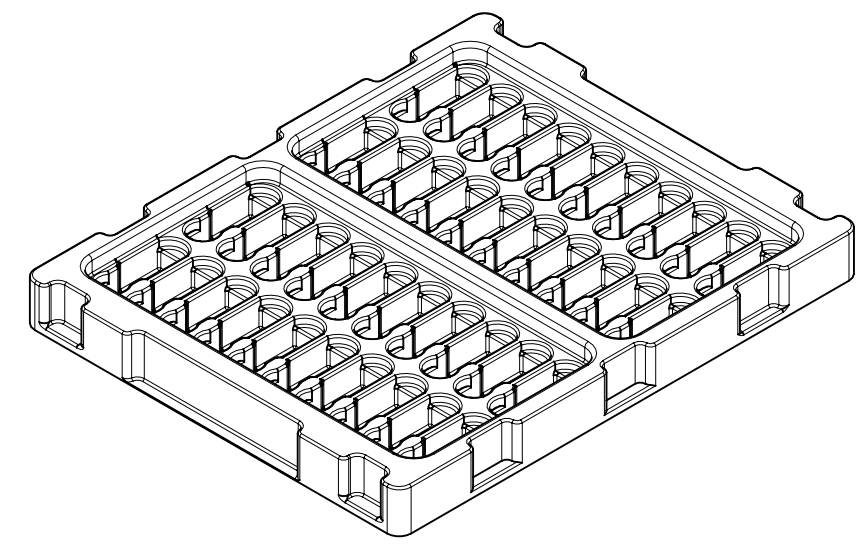
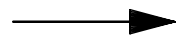
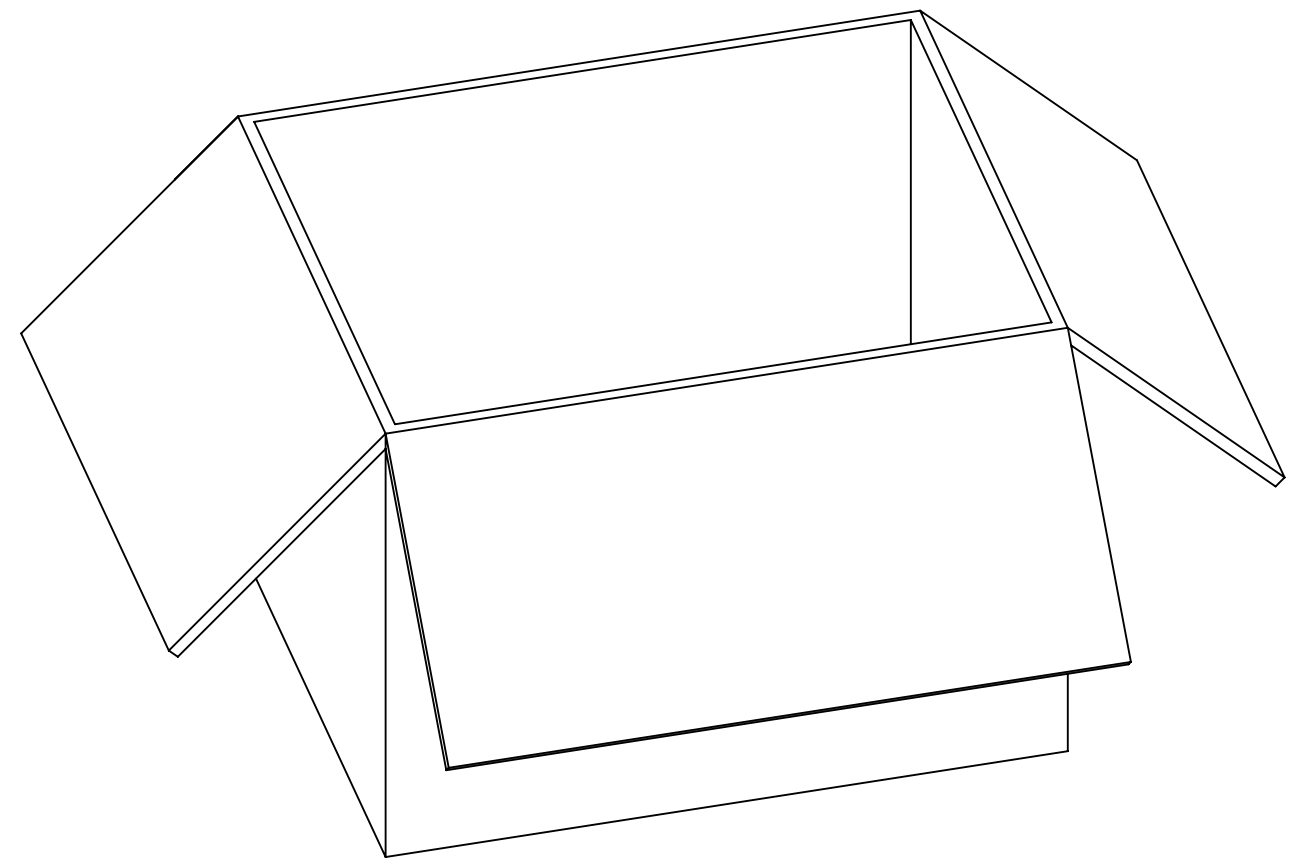
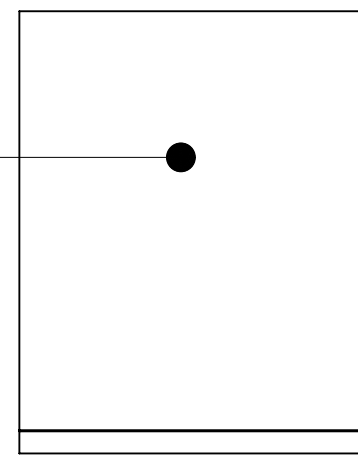


PRODUCT
P/N: XXXXX-XXXX



40 PCS PER TRAY

ACCESSORY 600 PCS PER BAG
BE PLACED RESPECTIVELY
INTO CARTON BOX



600 SETS PER CARTON BOX

THIS DRAWING CONTAINS INFORMATION THAT IS PROPRIETARY TO MOLEX ELECTRONIC TECHNOLOGIES, LLC AND SHOULD NOT BE USED WITHOUT WRITTEN PERMISSION

DIMENSION UNITS		SCALE		CURRENT REV DESC: NEW RELEASE PER EWR #15500-B				molex			
mm		NTS									
GENERAL TOLERANCES (UNLESS SPECIFIED)								PACKING SPEC 89707-0169 ACCESSORY DU 600 EWR-15500			
ANGULAR TOL ± °				EC NO: 738684				PRODUCT CUSTOMER DRAWING			
4 PLACES ±				DRWN: RYEH 2023/02/15				DOCUMENT NUMBER			
3 PLACES ±				CHK'D: YCHENG 2023/02/16				895420590			
2 PLACES ±				APPR: YCHENG 2023/02/16				DOC TYPE			
1 PLACE ±				INITIAL REVISION:				PSD			
0 PLACES ±				DRWN: RYEH 2023/02/15				DOC PART			
DRAFT WHERE APPLICABLE MUST REMAIN WITHIN DIMENSIONS				THIRD ANGLE PROJECTION				REVISION			
				DRAWING				A			
				SERIES				SHEET NUMBER			
				C-SIZE				1 OF 1			
				89542				MATERIAL NUMBER			
								CUSTOMER			
								895420590			

DOCUMENT STATUS	P1	RELEASE DATE	2023/02/16	04:47:02
-----------------	----	--------------	------------	----------

MATERIALS AND FINISHES:

BODY: ZINC ALLOY
PLATED: SEE TABLE

CENTER CONTACT: PHOSPHOR BRONZE
PLATED GOLD

INSULATOR: PTFE

JAM NUT: BRASS
PLATED NICKEL

LOCK WASHER: PHOSPHOR BRONZE
PLATED NICKEL

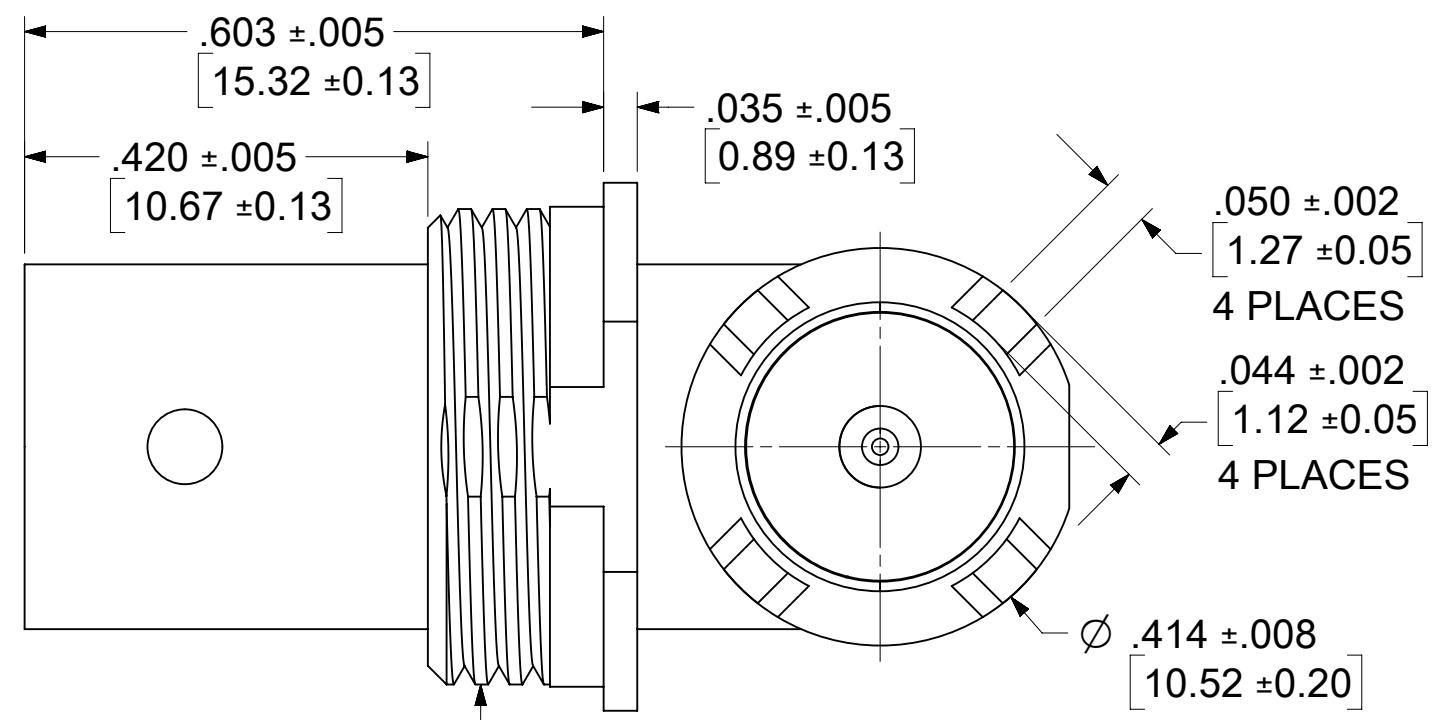
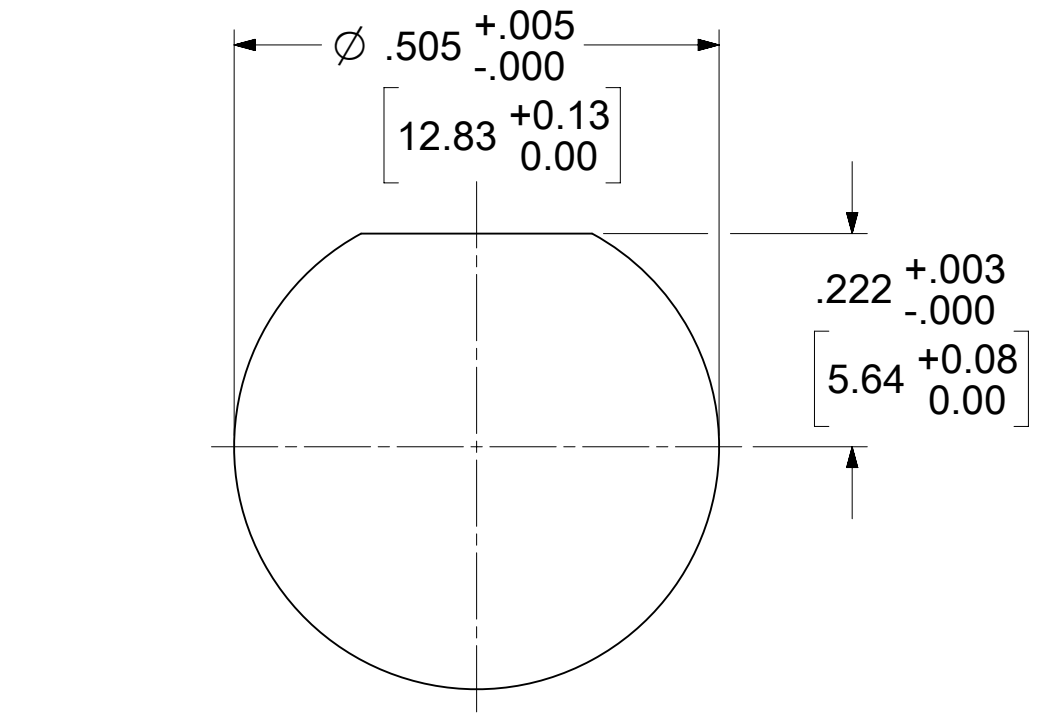
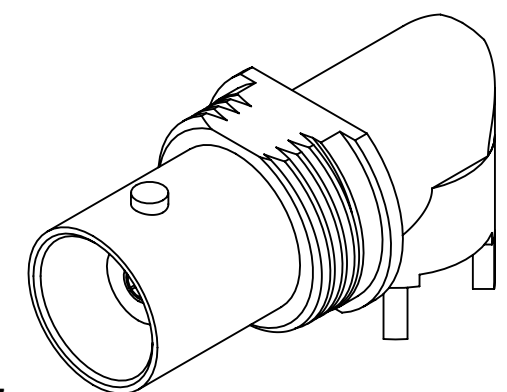
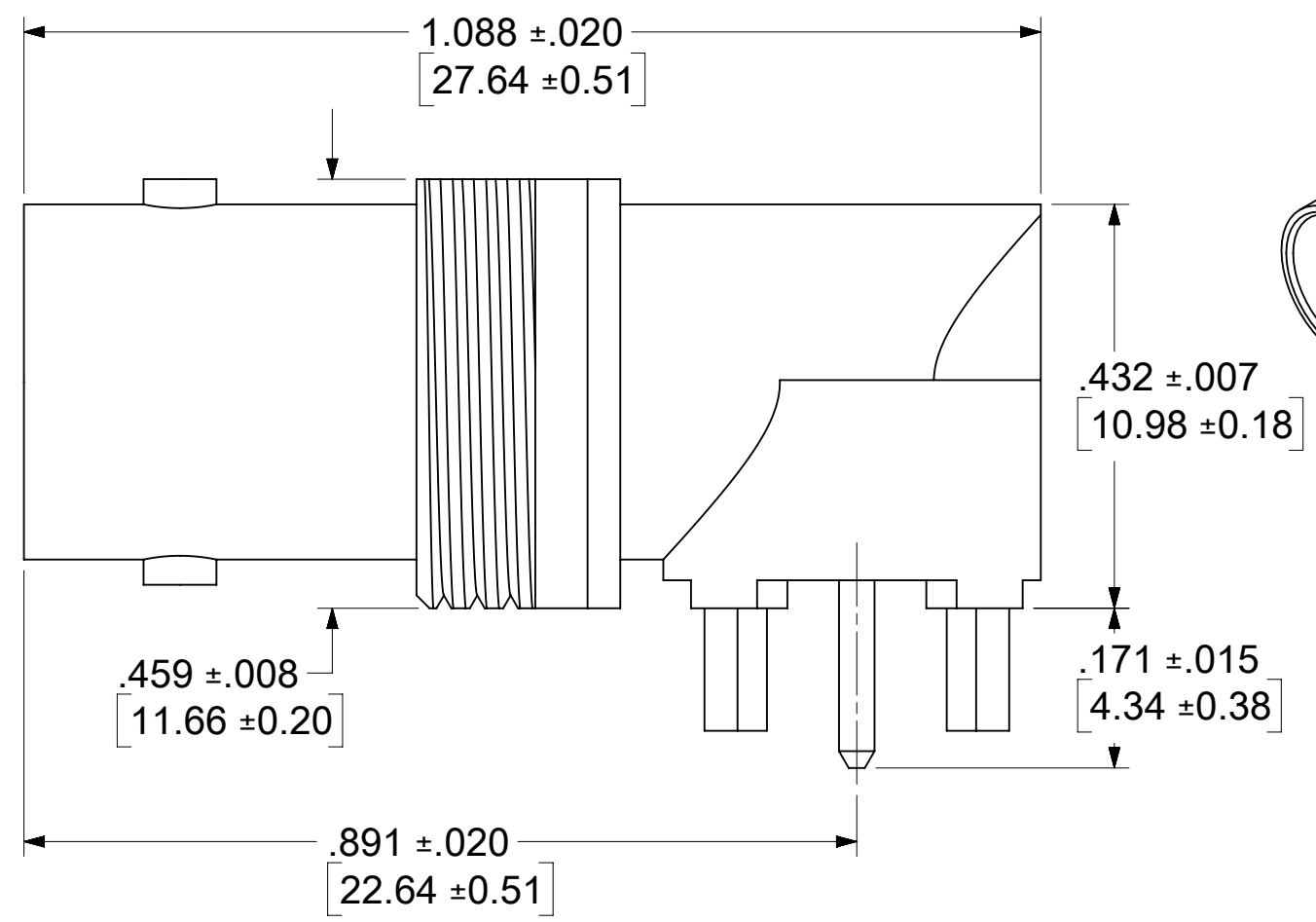
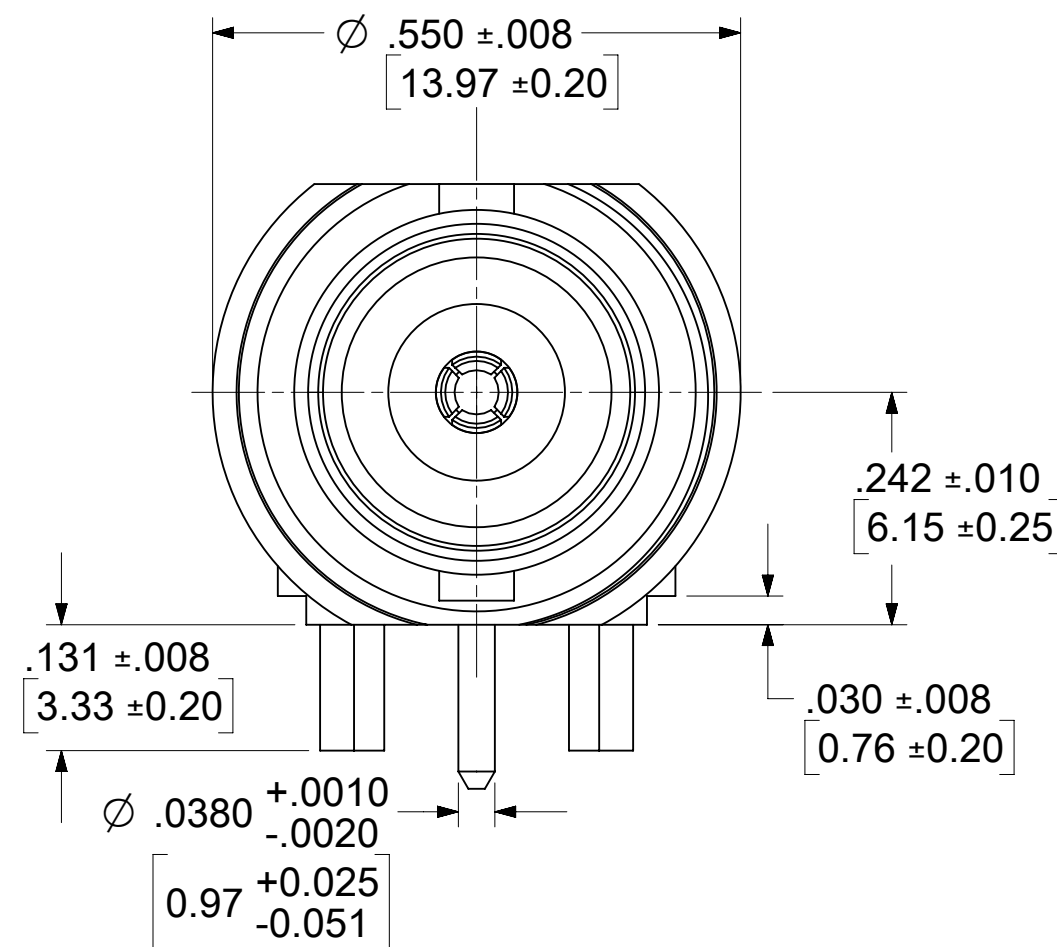
MECHANICAL CHARACTERISTICS:

FORCE TO ENGAGE & DISENGAGE:

AXIAL: 5 lbs TYP; RADIAL: 2.5 in-lb MAX
CONNECTOR DURABILITY: 500 CYCLES MIN

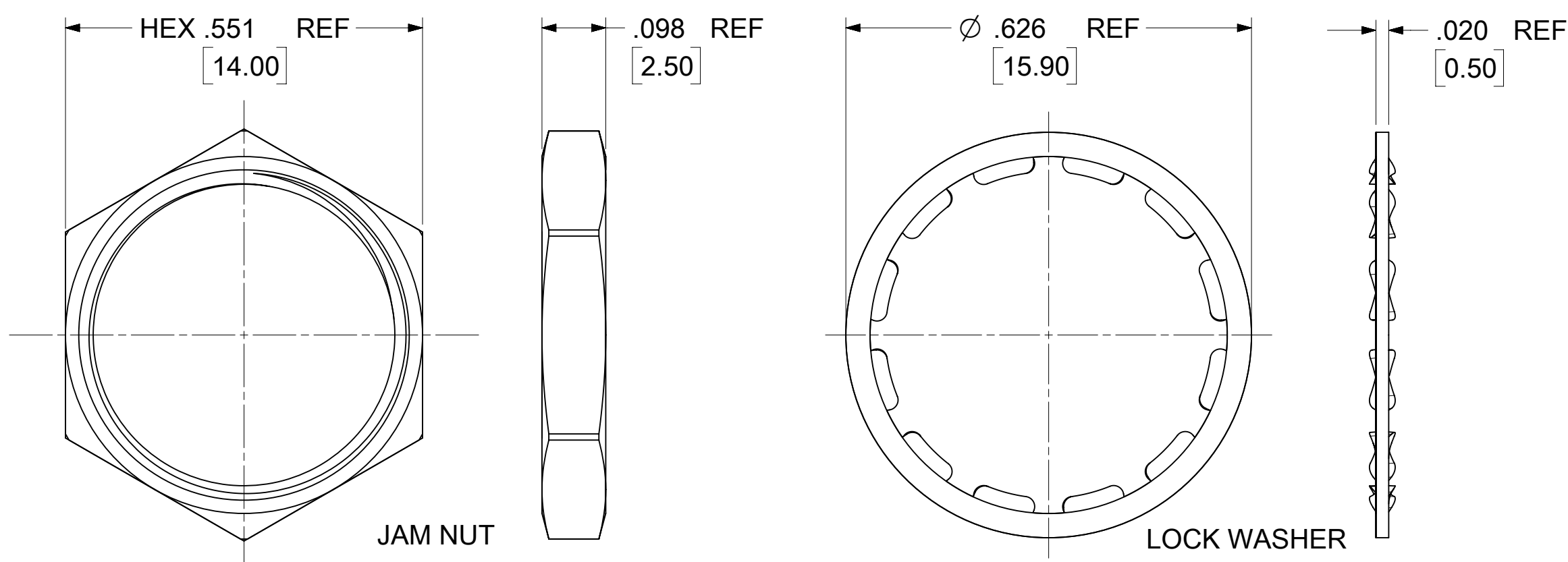
ELECTRICAL CHARACTERISTICS:

NOMINAL IMPEDANCE: 50Ω
FREQUENCY RATING: DC TO 4 GHz
VSWR: 1.25 TYP
INSERTION LOSS: 0.12√F(GHz) dB TYP



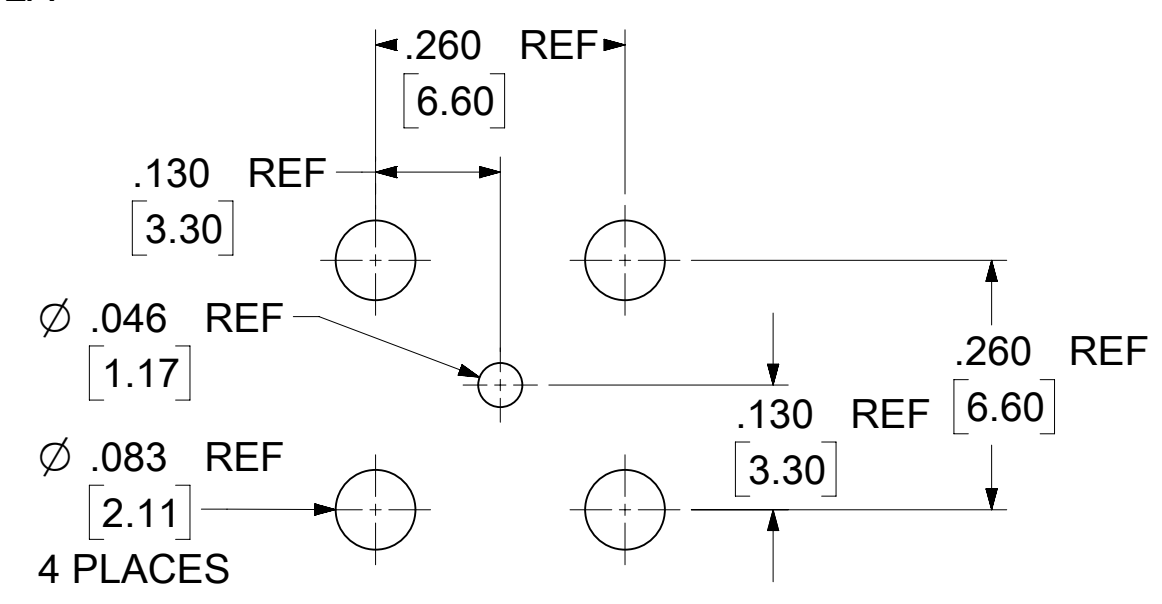
RECOMMENDED PANEL CUTOUT

1/2-28 UNEF-2A



JAM NUT

LOCK WASHER



RECOMMENDED PCB HOLE PATTERN

73171-1362	INCLUDED	NICKEL	895420590
73171-1361	INCLUDED	TIN	895420590
73171-1360	NOT INCLUDED	TIN	895420580
PART NO.	WASHER/NUT	BODY PLATING	PACKING SPEC

PS-89675-1030	ELEC/MECH PERFORMANCE
MIL-STD-348A, FIG. 301.2	INTERFACE
SPECIFICATION	DESCRIPTION

DOCUMENT STATUS	P1	RELEASE DATE	2023/03/29 03:23:45
-----------------	----	--------------	---------------------

THIS DRAWING CONTAINS INFORMATION THAT IS PROPRIETARY TO MOLEX ELECTRONIC TECHNOLOGIES, LLC AND SHOULD NOT BE USED WITHOUT WRITTEN PERMISSION

DIMENSION UNITS INCH/MM	SCALE NTS	CURRENT REV DESC: ADD ELECTRICAL & MECHANICAL CHARACTERISTICS PER EWR #15500-C	molex		
GENERAL TOLERANCES (UNLESS SPECIFIED)	ANGULAR TOL ± 2.0°	EC NO: 743585			
4 PLACES ±	3 PLACES ±	DRWN: RYEH 2023/03/21	PRODUCT CUSTOMER DRAWING		
2 PLACES ±	1 PLACE ±	CHK'D: YCHENG 2023/03/29	DOCUMENT NUMBER		
0 PLACES ±	APPR: YCHENG 2023/03/29	INITIAL REVISION:	DOC TYPE DOC PART REVISION		
DRAFT WHERE APPLICABLE MUST REMAIN WITHIN DIMENSIONS	THIRD ANGLE PROJECTION	DRWN: AROBERTSON 2005/01/25	SD-73171-136		
	DRAWING	APPR: JWIENER 2005/01/25	PSD 001 C11		
	C-SIZE	SERIES	SHEET NUMBER		
	73171	MATERIAL NUMBER	1 OF 1		
		CUSTOMER	GENERAL MARKET		