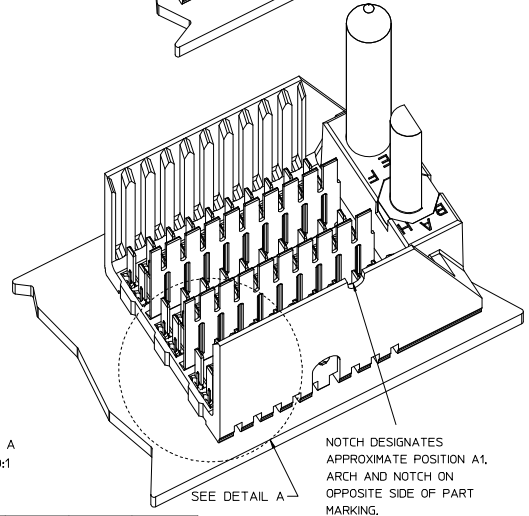
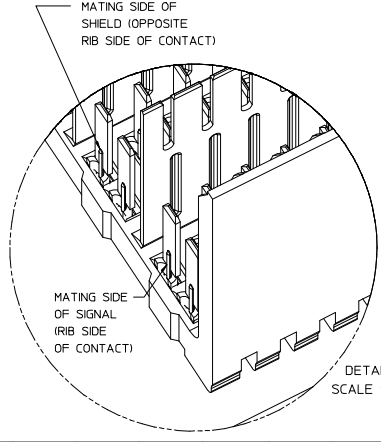
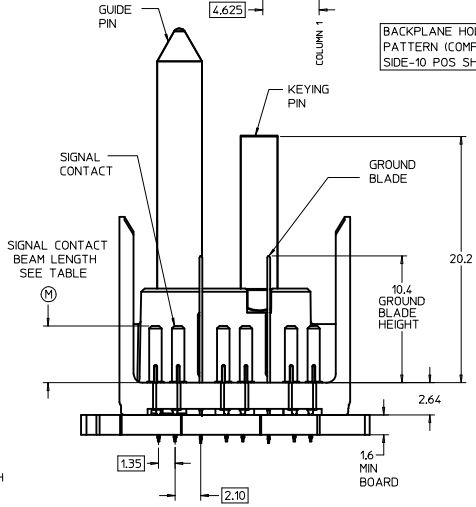
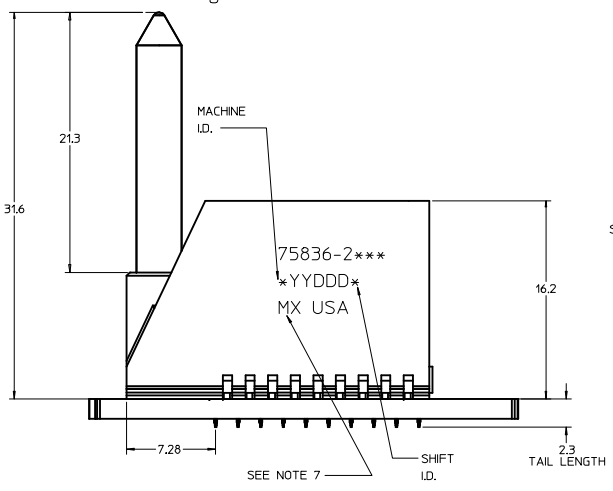
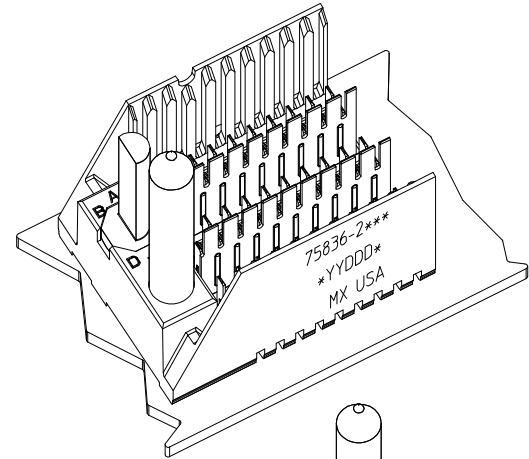


ROW AG & HG RECOMMENDED FOR ALL APPLICATIONS. THESE ROWS SHOULD BE CONNECTED TO GROUND.



- NOTES:**
- MATERIAL: HOUSING - LIQUID CRYSTAL POLYMER (LCP) GLASS-FILLED, UL 94V-0, COLOR - GRAY, SIGNAL CONTACT AND GROUND BLADE - HIGH PERFORMANCE COPPER ALLOY.
  - FINISHES: SELECTIVE GOLD (Au) ON CONTACT AREA, SELECTIVE MATTE TIN (Sn) ON PCB TAILS, NICKEL (Ni) OVERALL.
  - THIS PART CONFORMS TO MOLEX PRODUCT SPECIFICATION PS-75221-999.
  - FOR MIXED CONTACT MATING LENGTHS CONSULT MOLEX FOR AVAILABILITY. CONTACT PAIRS MUST BE THE SAME LENGTH.
  - FOR SPECIFIC PART NUMBER AND MATING INFORMATION PLEASE REFER TO CHART.
  - PACKAGE PER PK-70873-572.
  - EITHER MARK PART NUMBER AND DATE CODE APPROXIMATELY WHERE SHOWN OR PLACE A LABEL ON THE TUBE.
  - OPTIONAL HOLE LOCATION FOR GROUNDED GUIDE PIN OR ADDITIONAL GUIDE PIN SUPPORT, FOR GROUNDED GUIDE PIN, HOLE TO BE PLATED, DRILL SIZE Ø2.58, PAD SIZE Ø5.50.
  - THESE PARTS CONFORM TO MOLEX COSMETIC SPECIFICATION PS-45499-002 CLASS B.
  - MAPS (MOLEX ADVANCED PLATING SYSTEM).

PART NUMBER TABLE				
ASSY PART NO.	K	L	P	TOTAL NO. OF DIFFERENTIAL PAIRS
75836-21**	9	16.65	24.78	30
75836-22**	24	44.40	52.53	75
75836-25**	4	7.40	15.53	15

**75836-2 \*\*\***

MODULE ORIENTATION LEFT = 2	COLUMNS	PIN LENGTH DIM "M"	GOLD (Au) THICKNESS micrometers
1=10 COL	1=10 COL	0=3.55 mm	0.25 (MAPS)
2=25 COL	2=25 COL	1=4.55 mm	
5=5 COL	5=5 COL	2=5.55 mm	
		3=3.55 mm	0.76
		4=4.55 mm	
		5=5.55 mm	
		7=3.55 mm	1.27
		8=4.55 mm	
		9=5.55 mm	

KEYING ORIENTATION  
 0 = NONE  
 1 = A  
 2 = B  
 ETC...

P/N	---0*	---1*	---2*	---3*	---4*	---5*	---6*	---7*	---8*
75863(-)	0	A	B	C	D	E	F	G	H
KEYING PIN ORIENTATION									

**LEAD-FREE PLATING ON SIGNALS, & GROUNDS.**

ADD MAPS EC NO: UCP2013-5239 DRAWN BY: CHYKMOLEE CHKD BY: CHYKMOLEE APPROVAL: APPR:SKILLER REV DESCRIPTION: 2013/06/06 2013/06/06 2014/02/03	QUALITY SYMBOLS ▽=0 ▽=0 ▽=0	GENERAL TOLERANCES (UNLESS SPECIFIED)		DIMENSION STYLE		SCALE	DESIGN UNITS	THIRD ANGLE PROJECTION	
		mm	INCH	MM ONLY	DATE				
		4 PLACES ±---	±---	DATE	THOMAS	2006/01/13	METRIC	GBX 3-PAIR LEFT END BACKPLANE ASSEMBLY LEAD-FREE SALES DRAWING	
		3 PLACES ±---	±---	DATE	CHECKED BY	DATE			
		2 PLACES ±0.13	±---	DATE	DATE	2006/01/16		molex	
		1 PLACE ±0.25	±---	DATE	DATE	2006/01/17			
		0 PLACE ±	±	DATE	DATE			SD-75836-210	
		ANGULAR ±---		MATERIAL NO.		DOCUMENT NO.		SHEET NO.	
		DRAFT WHERE APPLICABLE MUST REMAIN WITHIN DIMENSIONS		SEE TABLE		SD-75836-210		1 OF 1	
		THIS DRAWING CONTAINS INFORMATION THAT IS PROPRIETARY TO MOLEX INCORPORATED AND SHOULD NOT BE USED WITHOUT WRITTEN PERMISSION							