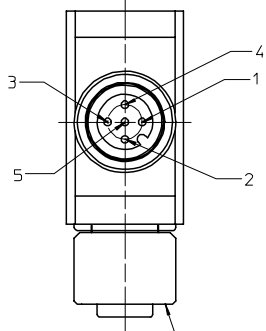
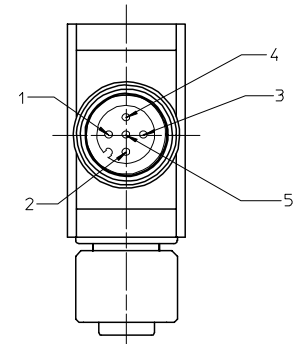
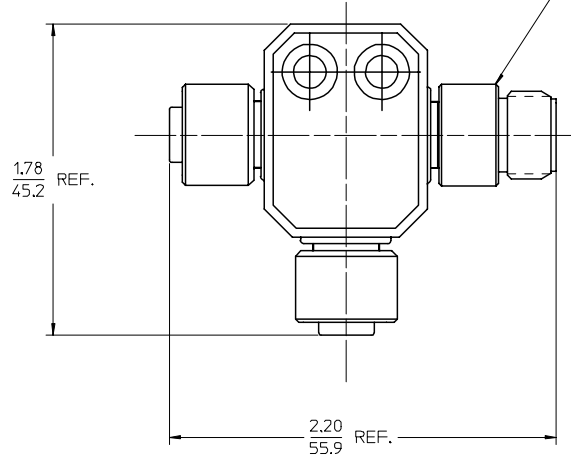


MOLEX PART NO.	OLD MOLEX PART NO.
845860017	845860012

MIC FEMALE FACE VIEW

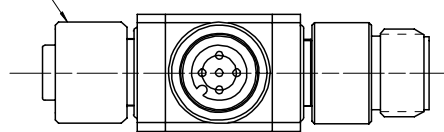


EXTERNALLY THREADED
M12 COUPLING NUT

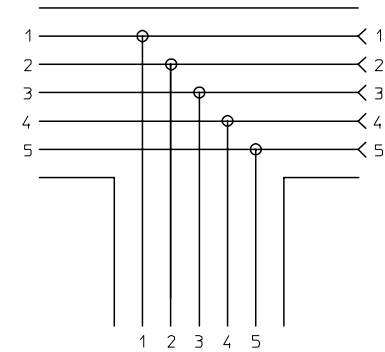


MIC MALE FACE VIEW

INTERNALLY THREADED
M12 COUPLING NUT



SCHEMATIC



MATERIAL:

1. INSERT - PUR
2. CONTACT-PHOSPHOR BRONZE ALLOY
3. COUPLING NUT-NICKEL PLATED BRASS
4. OVERMOLD-PUR
5. COMPONENTS USED IN THIS ASSEMBLY ARE RoHS COMPLIANT OR COMPLIANT BY EXEMPTION.

RELEASED FCC NO: ETC2007-0424 DRAWN BY R.STONE CHK'D: J. MACNE IL APPR: JMACNE IL 2007/05/16 2007/05/17 2007/05/17	QUALITY SYMBOLS = 0 = 0	GENERAL TOLERANCES (UNLESS SPECIFIED)		DIMENSION STYLE IN/MM		SCALE ---	DESIGN UNITS INCH	THIRD ANGLE PROJECTION		
		4 PLACES ± --- ± ---	mm	INCH	DRAWN BY R.STONE	DATE 2007/05/16	TITLE M12-TEE, 5/C 2 FEMALE, 1 MALE			
		3 PLACES ± --- ± ---			CHECKED BY J. MACNE IL	DATE 2007/05/17	MOLEX INCORPORATED			
		2 PLACES ± --- ± .01			APPROVED BY J. MACNE IL	DATE 2007/05/17	DOCUMENT NO. SD-84586-007		SHEET NO. 1 OF 1	
1 PLACE ± 0.25 ± ---			ANGULAR ±1/2°		SEE CHART		THIS DRAWING CONTAINS INFORMATION THAT IS PROPRIETARY TO MOLEX INCORPORATED AND SHOULD NOT BE USED WITHOUT WRITTEN PERMISSION			
DRAFT WHERE APPLICABLE MUST REMAIN WITHIN DIMENSIONS				SIZE C						