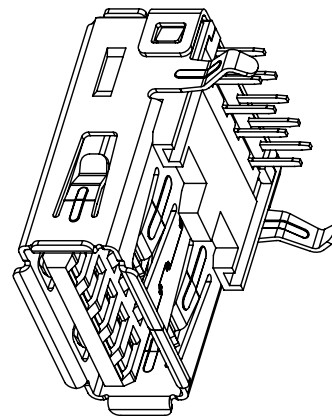


NOTE:  
 MATERIAL:  
 HOUSING: PBT+30%G.F. UL 94V-0  
 CONTACT 5P: BRASS  
 CONTACT 4P: PHOSPHOR BRONZE  
 SHELL: BRASS  
 PLATING:  
 CONTACT: GOLD FLASH AND TIN OVER NICKEL PLATED  
 SHELL: NICKEL PLATED OVER ALL  
 SPECIFICATION:  
 CURRENT RATING: 1.8A FOR VBUS AND GND CONTACTS  
 1.5A FOR OTHER CONTACTS  
 WITHSTANDING VOLTAGE: 100V AC(RMS)  
 INSULATION RESISTANCE: 100MΩ MIN AT 100V DC  
 CONTACT RESISTANCE: 30mΩ MAX FOR VBUS AND GND CONTACTS  
 50mΩ MAX FOR OTHER CONTACTS  
 MATING FORCE: 3.57KgF MAX  
 UNMATING FORCE: 1.02KgF MIN



11/10/27	VICKY		NEW-DGW		AO
DATE	DR.BY	ECN.NO.	DESCRIPTION	MARK	VER.
-TOLERANCES- UNLESS OTHERWISE SPECIFIED			<b>CnC Tech,LLC</b>		
			TITLE: USB 9P A/F DIP 90 15U" RoHS 蓝色成品		
X.X ±0.25	X.X° ±3.0°	APPD:	PRODUCT NO: 1003-001-01000		
X.XX ±0.15	X.XX° ±1.00°	CHECK:	DATE	SCALE	UNIT
X.XXX ±0.05	X.XXX° ±0.500°	DRAW:	2011.10.27	FREE	MM
			CD		1