

### WIRING DIAGRAM

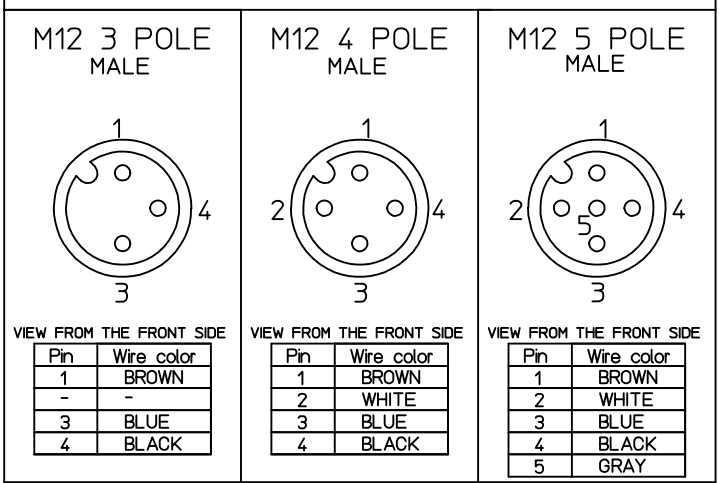
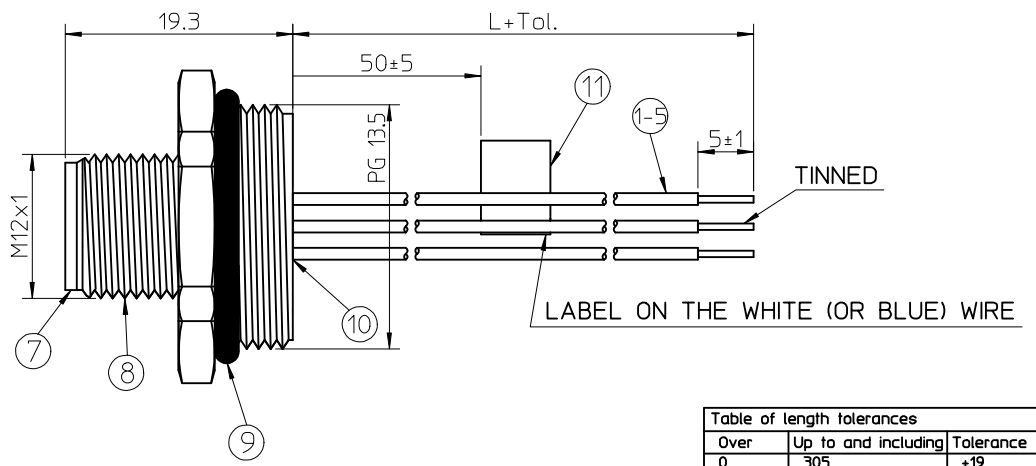
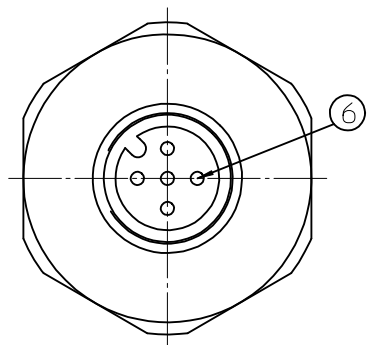
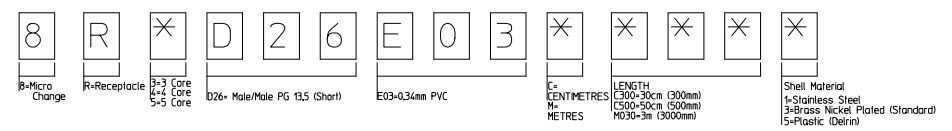


TABELA 1 / CHART 1

Molex PN	ENGINEERING PN	L [mm]	POLE
1200708007	8R4D26E03C1503	150	4 POLE
1200700144	8R4D26E03C3003	300	4 POLE
1200708067	8R4D26E03C5003	500	4 POLE
1200110031	8R5D26E03C3003	300	5 POLE

### PART No MATRIX



### BILL OF MATERIALS:

ITEM	QTY.	DESCRIPTION	MATERIAL	FINISH
11	1	LABEL	-	-
10	-	POTTING MATERIAL	WEVO	-
9	1	O-RING	NBR 70	-
8	1	M12x1 PG13.5 SHELL	BRASS	NICKEL PLATED
7	1	MIC 3P/4P/5P DC INSERT	NYLON 6/6	-
6	3/4/5	MALE CONTACT	BRASS	-
5	-	WIRE 22 AWG UL 1569	PVC	GRAY
4	-	WIRE 22 AWG UL 1569	PVC	BLACK
3	-	WIRE 22 AWG UL 1569	PVC	BLUE
2	-	WIRE 22 AWG UL 1569	PVC	WHITE
1	-	WIRE 22 AWG UL 1569	PVC	BROWN

Over	Up to and including	Tolerance (+)
0	305	+19
305	915	+45
915	1830	+56
1830	3660	+89
3660	7320	+165
7320	14640	+317
14640	30500	+610
30500	>	+2% of length

<p>ORIGINAL RELEASE EC NO: IPG2016-0703 DRW:KKALICIAK 2015/11/19 CHKD:APAWLAK 2015/11/23 APPR:MIWASIECZKO 2015/12/15</p>	<p>QUALITY SYMBOLS ▽=0 ◻=0</p>	GENERAL TOLERANCES (UNLESS SPECIFIED)		DIMENSION STYLE MM ONLY		SCALE ---	DESIGN UNITS METRIC	THIRD ANGLE PROJECTION																				
		<table border="1"> <thead> <tr> <th></th> <th>mm</th> <th>INCH</th> </tr> </thead> <tbody> <tr><td>4 PLACES</td><td>± ---</td><td>± ---</td></tr> <tr><td>3 PLACES</td><td>± ---</td><td>± ---</td></tr> <tr><td>2 PLACES</td><td>± 0.05</td><td>± ---</td></tr> <tr><td>1 PLACE</td><td>± 0.3</td><td>± ---</td></tr> <tr><td>0 PLACE</td><td>± 0.5</td><td>± ---</td></tr> </tbody> </table>			mm	INCH	4 PLACES	± ---	± ---	3 PLACES	± ---	± ---	2 PLACES	± 0.05	± ---	1 PLACE	± 0.3	± ---	0 PLACE	± 0.5	± ---	DRAWN BY KKALICIAK		DATE 2015/11/19	TITLE MMC-XP-MM-REC-PG13.5-XXM-PVC			
			mm	INCH																								
		4 PLACES	± ---	± ---																								
3 PLACES	± ---	± ---																										
2 PLACES	± 0.05	± ---																										
1 PLACE	± 0.3	± ---																										
0 PLACE	± 0.5	± ---																										
DRAFT WHERE APPLICABLE MUST REMAIN WITHIN DIMENSIONS		CHECKED BY APAWLAK		DATE 2015/11/23																								
MATERIAL NO. SEE CHART 1		APPROVED BY MIWASIECZKO		DATE 2015/12/15	<p style="text-align: center; font-size: 2em; font-weight: bold;">molex</p> <p>DOCUMENT NO. SD-120070-059</p> <p style="text-align: right;">SHEET NO. 1 OF 1</p>																							
<p style="text-align: center;">THIS DRAWING CONTAINS INFORMATION THAT IS PROPRIETARY TO MOLEX INCORPORATED AND SHOULD NOT BE USED WITHOUT WRITTEN PERMISSION</p>																												