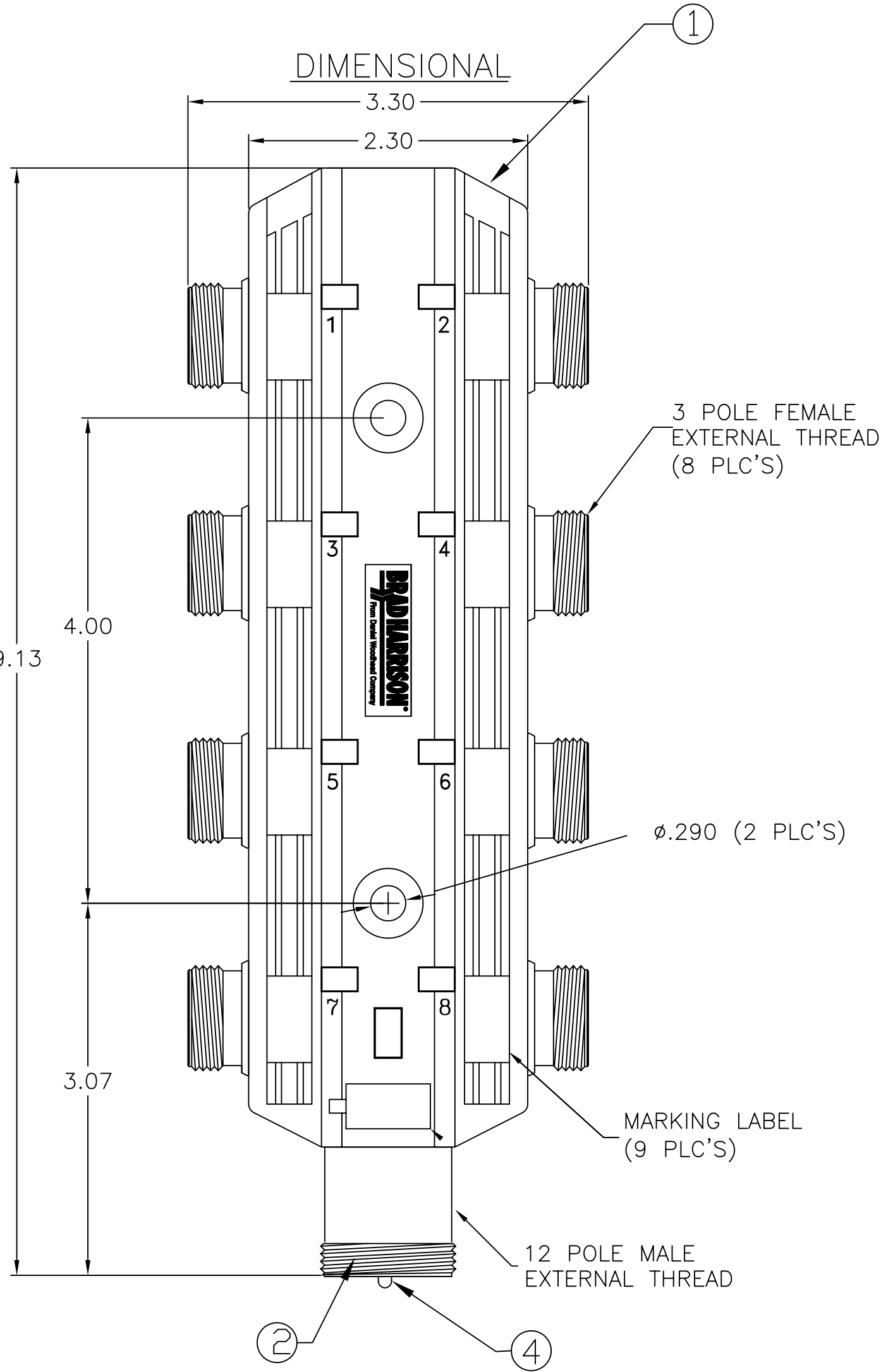
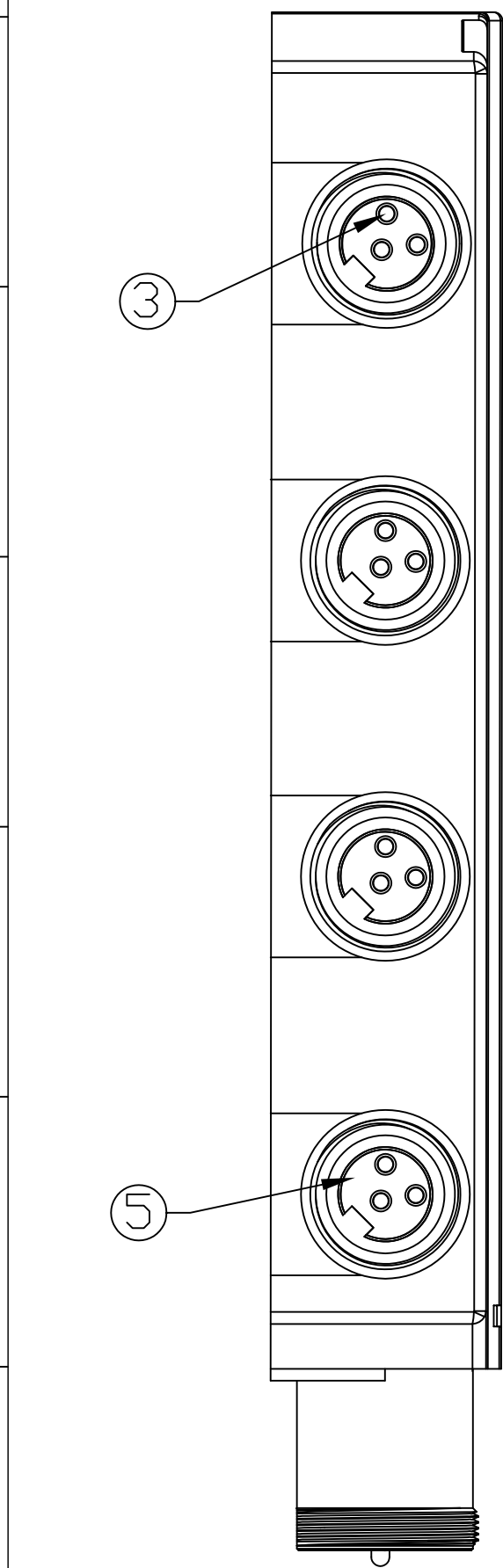
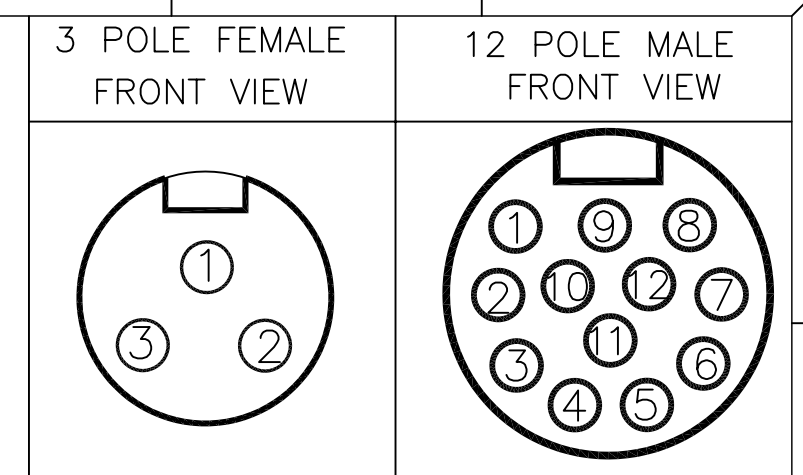
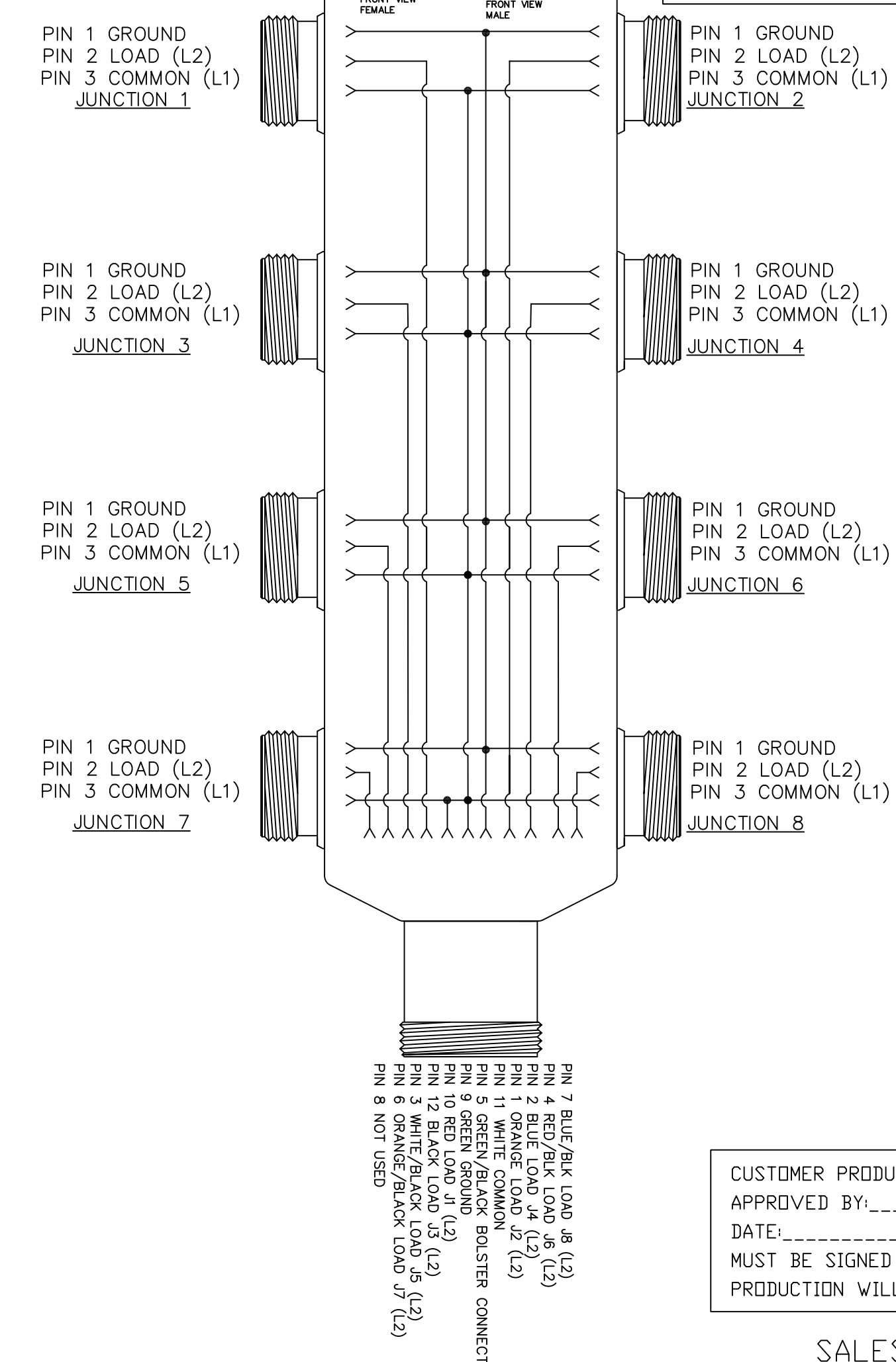


13	12	11	10	9	8	7	6	5	4	3	2	1
MATERIAL NUMBER	ENGINEERING NUMBER											
1300600079	1300600079											



SCHEMATIC



- NOTES:**
- 1) MATERIAL: SEE TABLE
 - 2) FINISHES: SEE TABLE
 - 3) ELECTRICAL DATA:
VOLTAGE: 300V AC/DC
AMPERAGE: 5AMPS PER MPIS UNIT
 - 4) ENVIRONMENTAL:
PROTECTION IP67
AMBIENT OPERATING TEMPERATURE -25°C TO 90°C

ITEM	QTY.	DESCRIPTION	MATERIAL	FINISH
5	9	INSERT	PVC	YELLOW
4	10	PIN CONTACT	COPPER ALLOY	GOLD PLATED
3	24	SOCKET CONTACT	COPPER ALLOY	GOLD PLATED
2	9	RECEPTACLE SHELL	E-COATED ZINC ALLOY	BLACK
1	1	HOUSING	PBT	YELLOW

RELEASE EC NO: WNA2011-0073 DRWN: BWOODMAN20100511 CH'KD: TWOLDEGE APPR: JFMURPHY	QUALITY SYMBOL	GENERAL TOLERANCES (UNLESS SPECIFIED)		DIMENSION STYLE		SCALE	DESIGN UNITS	THIRD ANGLE PROJECTION		
	$\nabla=0$ $\sphericalangle=0$	4 PLACES	mm	INCH	INCH		---	INCH		
		3 PLACES	±---	±---	DRAWN BY	DATE	TITLE			
		2 PLACES	±0.05	±---	BWOODMAN	2010/05/11	8PORT SIDE MOUNT MPIS 8PORT 3-POLE FEMALE W/ 12P MALE HOME RUN CONN.			
	1 PLACE	±0.1	±---	CHECKED BY	DATE	MOLEX INCORPORATED				
		ANGULAR ±---°		APPROVED BY	DATE	DOCUMENT NO.		SHEET NO.		
		DRAFT WHERE APPLICABLE MUST REMAIN WITHIN DIMENSIONS		JFMURPHY	2010/10/07	SD-130060-014		1 OF 1		
				MATERIAL NO.	THIS DRAWING CONTAINS INFORMATION THAT IS PROPRIETARY TO MOLEX INCORPORATED AND SHOULD NOT BE USED WITHOUT WRITTEN PERMISSION					

CUSTOMER PRODUCTION APPROVAL
 APPROVED BY: _____
 DATE: _____
 MUST BE SIGNED AND RETURNED BEFORE PRODUCTION WILL BEGIN.

SALES DRAWING