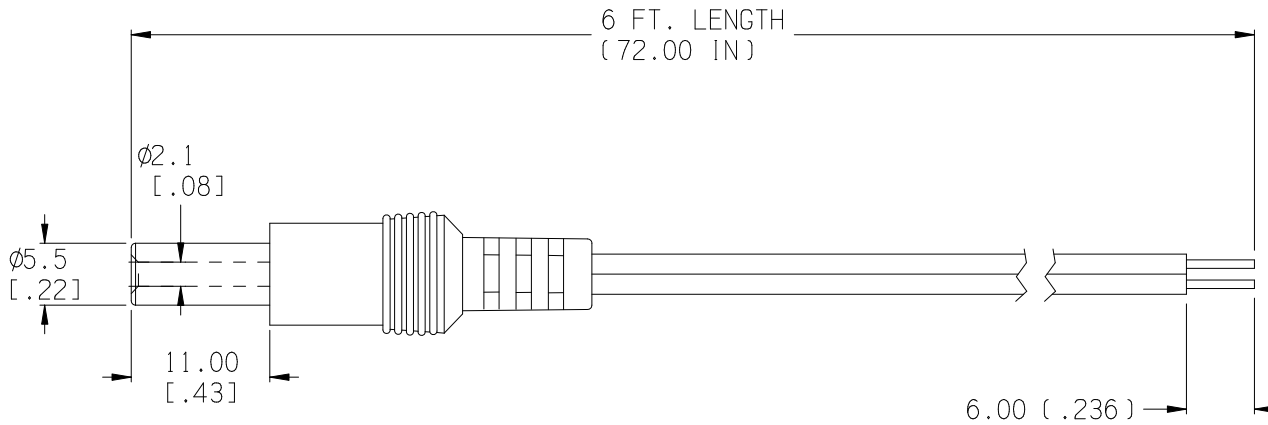



Date	SYM	REVISION RECORD	AUTH	DR.	CK.
3/14/14	A	UPDATED TO ROHS 2 COMPLIANT	T.B.	B.S.	
02/19/16	B	DIM. 6.00 WAS 4.00 WIRE GAUGE 22AWG WAS 24AWG	T.B.	B.S.	



HOUSING: BLACK PVC
 CORD: UL2468, 300V, 80°C, 22 AWG
 PASSES UL FLAME TEST VW-1
 CENTER IS POSITIVE CONTACT
 DC MOLDED PLUG: 2.1mm X 5.5mm
 CURRENT RATING: 6A MAX.
 ROHS 2 COMPLIANT

Tolerance (Inches)	 Memory Protection Devices, Inc. 200 Broad Hollow Road, Farmingdale, New York 11735		
Decimal ±.5 (.020)		Scale	Drawn By B.S. Approved By T.B.
Fractional ± .8 (.030)	Title 2.1mm DC MOLDED PLUG WITH 6' WIRE LEADS		
Angular ± 3°	Date 02/19/16	Drawing Number 172-4101	