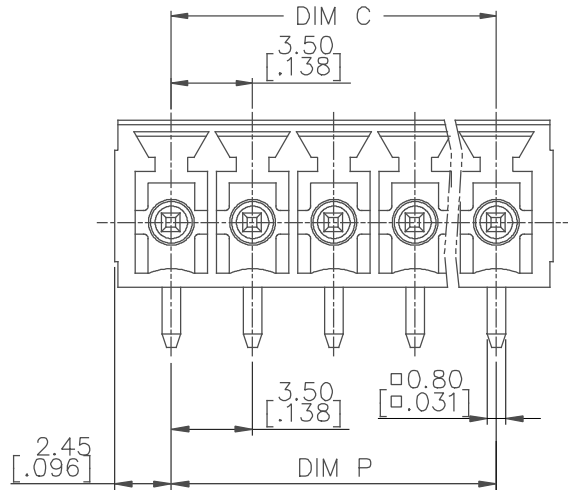


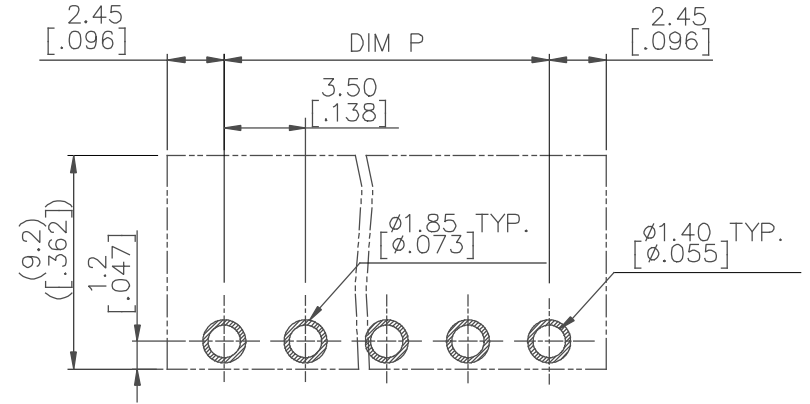
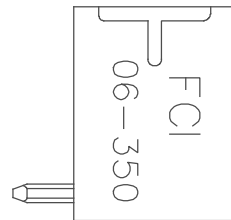
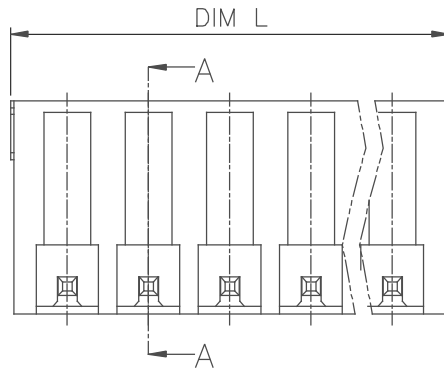
PRODUCT NUMBER	SERIES NAME	PITCH
20020203-CXXXXXXLF	06-350	3.50 mm



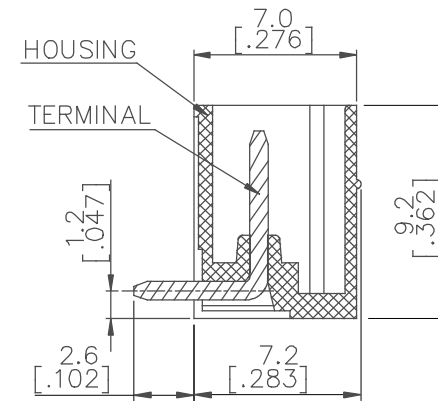
N= Number of poles

DIM L	$(N-1)*3.5[.138]+4.9[.193]$
DIM P	$(N-1)*3.5[.138]$
DIM C	$(N-1)*3.5[.138]$

POLES	TOLERANCE
2-6p	$\pm 0.15[.006]$
7-12p	$\pm 0.20[.008]$
13-16p	$\pm 0.30[.012]$



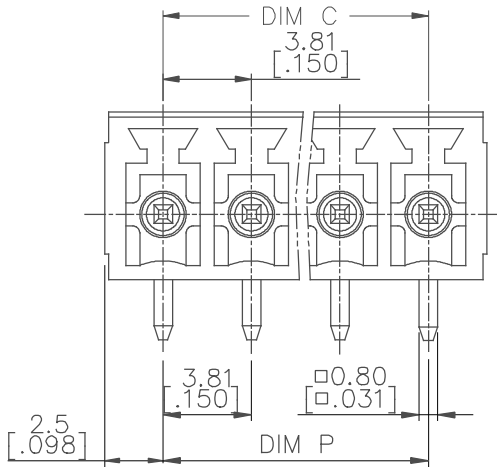
RECOMMENDED PCB LAYOUT



SECTION A-A

mat'l. code		surface ASME Y14.5	tolerance ASME Y14.5	projection 	product family TERMINAL BLOCK
ltr	ecn no	dr	date	title	
A				TERMINAL BLOCK PLUGGABLE SOCKET/RIGHT ANGLE(PIP)	
angles		X. \pm 0.5		MM [INCH]	scale
X' \pm 1'		X.XX \pm 0.1		scale	
dr	LEIF SHEN	041911			dwg no
enr	LEIF SHEN	041911			sheet 2 of 5 size
chr	LEIF SHEN	041911			20020203
appd	JOSEPH HSIA	041911			A4
sheet index	revision sheet				type CUSTOMER Drawing

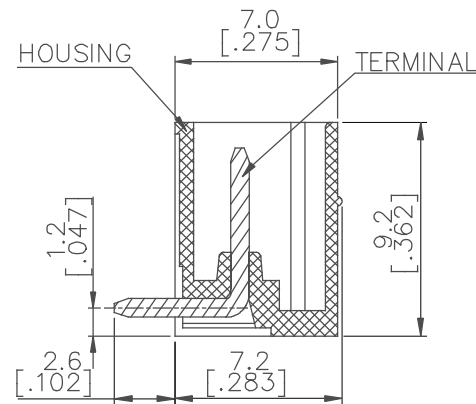
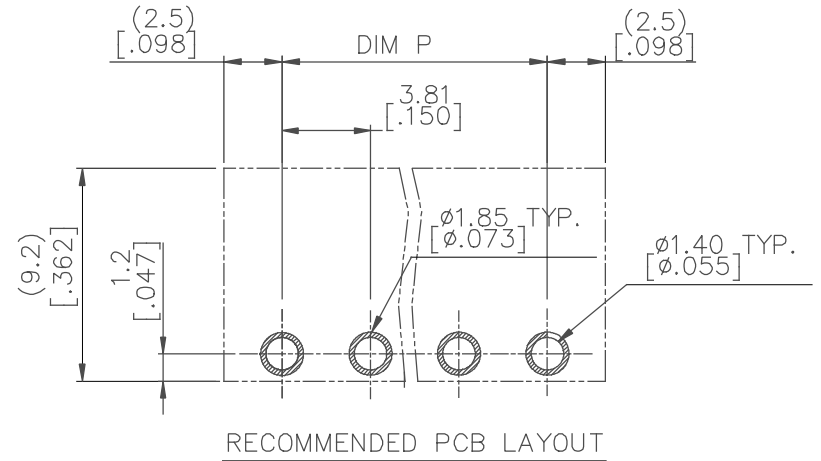
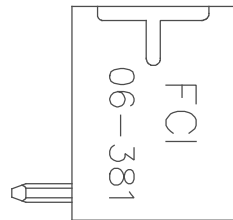
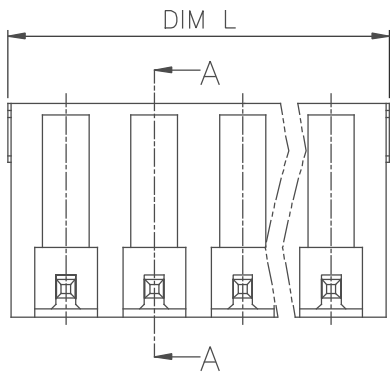
PRODUCT NUMBER	SERIES NAME	PITCH
20020203-DXXXXXXLF	06-381	3.81 mm



N = NUMBER OF POLES

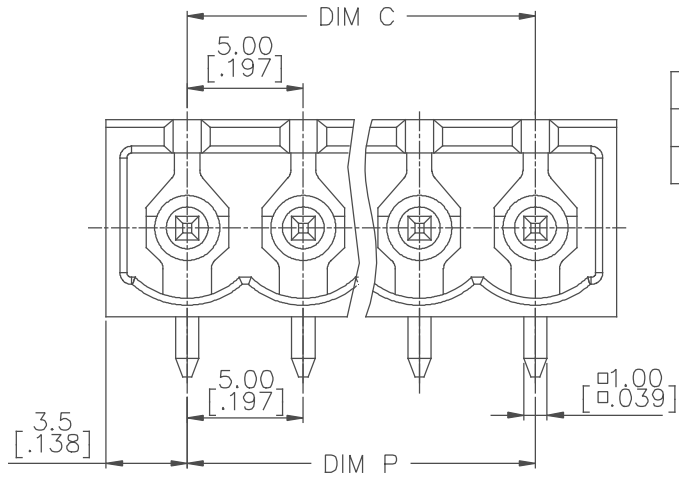
DIM L	$(N-1)*3.81[.150]+5.0[.197]$
DIM P	$(N-1)*3.81[.150]$
DIM C	$(N-1)*3.81[.150]$

POLES	TOLERANCE
2p-6p	$\pm 0.15[.006]$
7p-12p	$\pm 0.20[.008]$
13p-16p	$\pm 0.30[.012]$



mat'l. code		surface ASME Y14.5	tolerance ASME Y14.5	projection	product family	
ltr		tolerances unless otherwise specified		 MM [INCH]	TERMINAL BLOCK	
ecn	no	dr	date		title	
A		angles	X. \pm 0.5	 scale	TERMINAL BLOCK PLUGGABLE SOCKET/RIGHT ANGLE(PIP)	
		X' \pm 1'	X.XX \pm 0.1		dwg no	sheet 3 of 5 size
		dr	LEIF SHEN 041911		20020203	A4
		enr	LEIF SHEN 041911		type	CUSTOMER Drawing
		chr	LEIF SHEN 041911			
		appd	JOSEPH HSIA 041911			
sheet index	revision sheet					

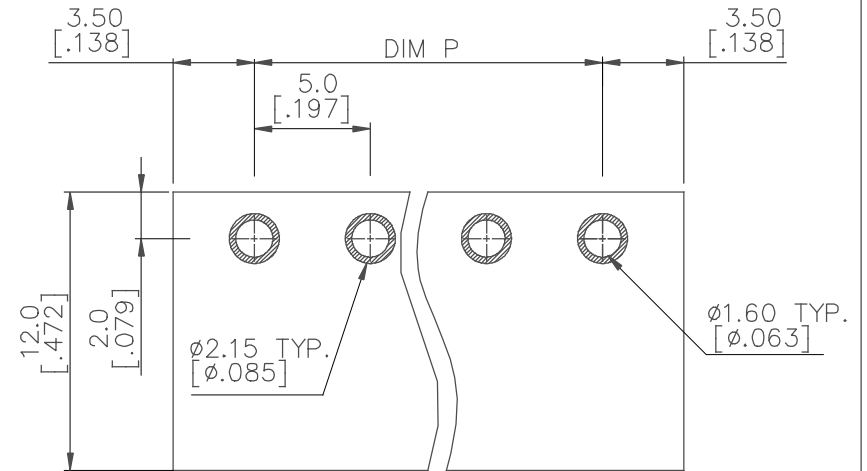
PRODUCT NUMBER	SERIES NAME	PITCH
20020203-GXXXXXXLF	06-500	5.00 mm



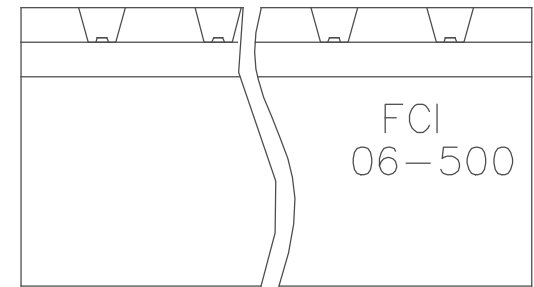
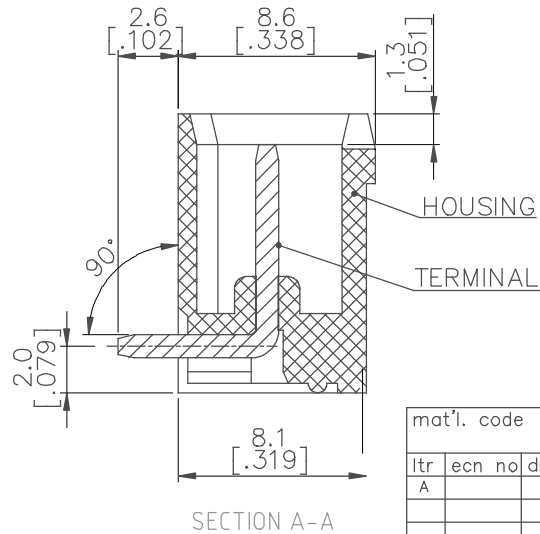
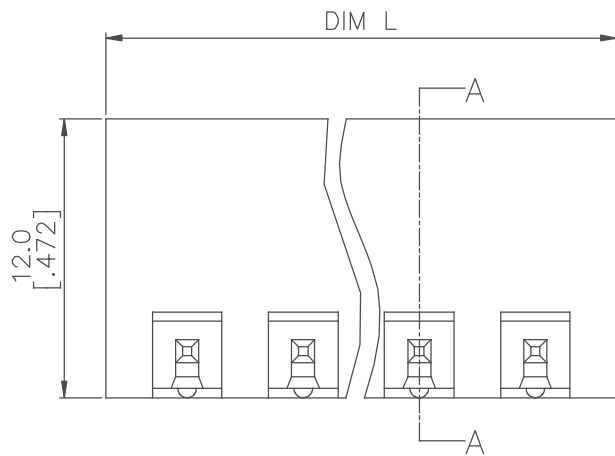
N = NUMBER OF POLES

DIM L	$N * 5.0 [.197] + 2.0 [.079]$
DIM P	$(N - 1) * 5.0 [.197]$
DIM C	$(N - 1) * 5.0 [.197]$

POLES	TOLERANCE
2-3p	$\pm 0.15 [.006]$
4-8p	$\pm 0.20 [.008]$
9-12p	$\pm 0.25 [.010]$

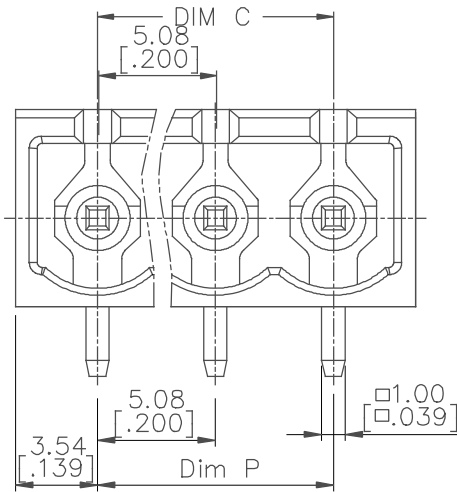


RECOMMENDED PCB LAYOUT



mat'l. code	surface ASME Y14.5 ✓	tolerance ASME Y14.5	projection 	product family TERMINAL BLOCK				
ltr	ecn	no	dr	date	tolerances unless otherwise specified	title		
A					angles X.±0.5	TERMINAL BLOCK PLUGGABLE SOCKET/RIGHT ANGLE(PIP)		
					lineout X.X±0.3			
					X'±1'	scale MM [INCH]		
			dr	LEIF SHEN	041911			
			enr	LEIF SHEN	041911			
			chr	LEIF SHEN	041911			
			appd	JOSEPH HSIA	041911			
sheet	revision					dwg no	sheet 4 of 5	size
index	sheet					20020203		A4
						type	CUSTOMER Drawing	

PRODUCT NUMBER	SERIES NAME	PITCH
20020203-HXXXXXXLF	06-508	5.08 mm



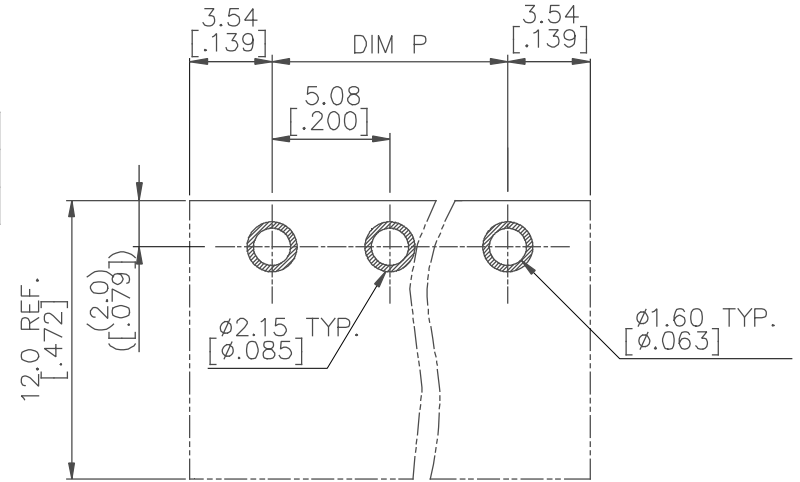
N = NUMBER OF POLES

DIM L $N * 5.08 [.200] + 2.0 [.193]$

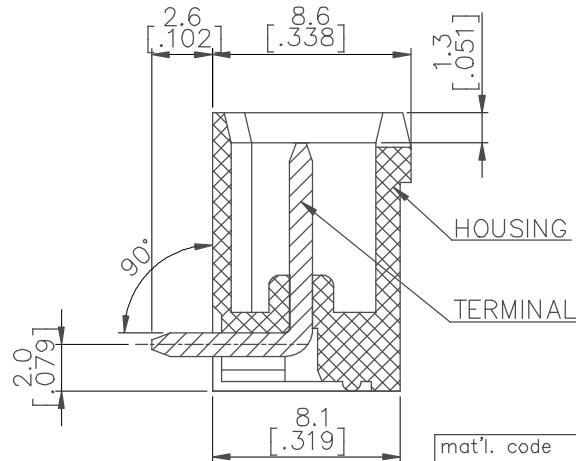
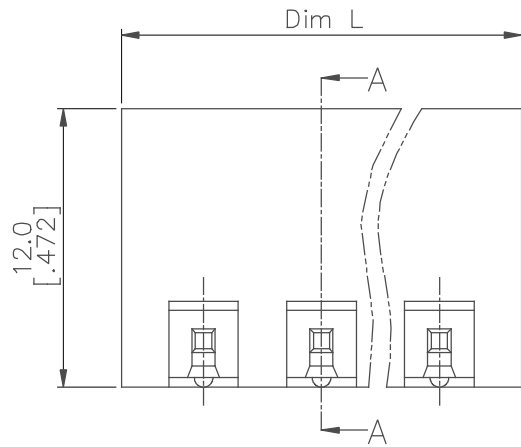
DIM P $(N - 1) * 5.08 [.200]$

DIM C $(N - 1) * 5.08 [.200]$

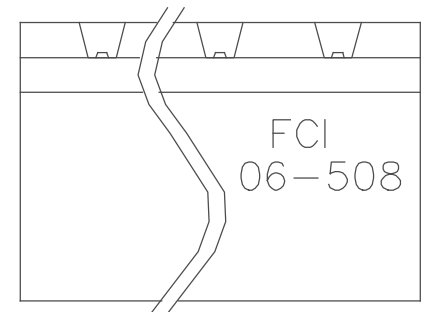
POLES	TOLERANCE
2-3p	$\pm 0.15 [.006]$
4-8p	$\pm 0.20 [.008]$
9-12p	$\pm 0.25 [.010]$



RECOMMENDED PCB LAYOUT



SECTION A-A



mat'l. code	surface ASME Y14.5 ✓	tolerance ASME Y14.5	projection ⊕	product family TERMINAL BLOCK		
ltr	ecn	no	dr	date	tolerances unless otherwise specified	title
A					X.±0.5	TERMINAL BLOCK
					X.X±0.3	PLUGGABLE SOCKET/RIGHT ANGLE(PIP)
					X'±1'	scale
					MM	FCI
					[INCH]	dwg no
					dr	LEIF SHEN
					enr	LEIF SHEN
					chr	LEIF SHEN
					appd	JOSEPH HSIA
					041911	sheet 5 of 5 size
					041911	20020203
					041911	A4
					041911	type
						CUSTOMER Drawing
sheet	revision					
index	sheet					