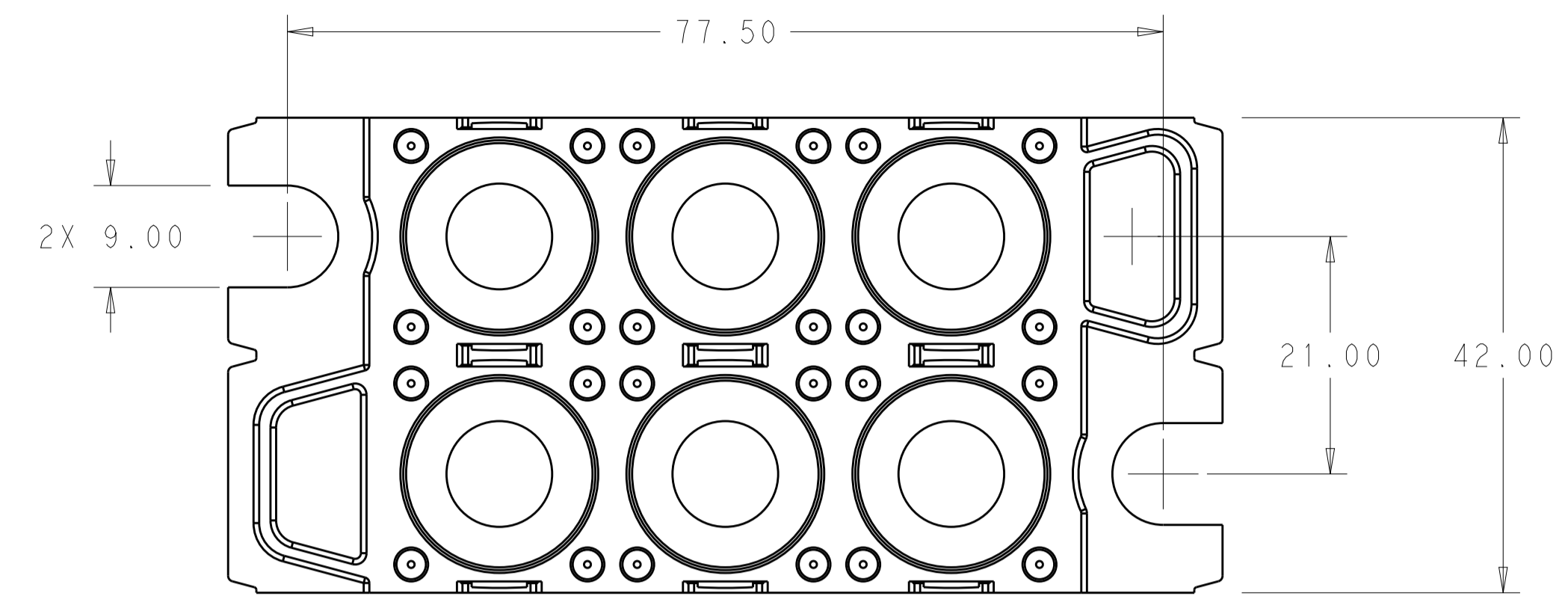
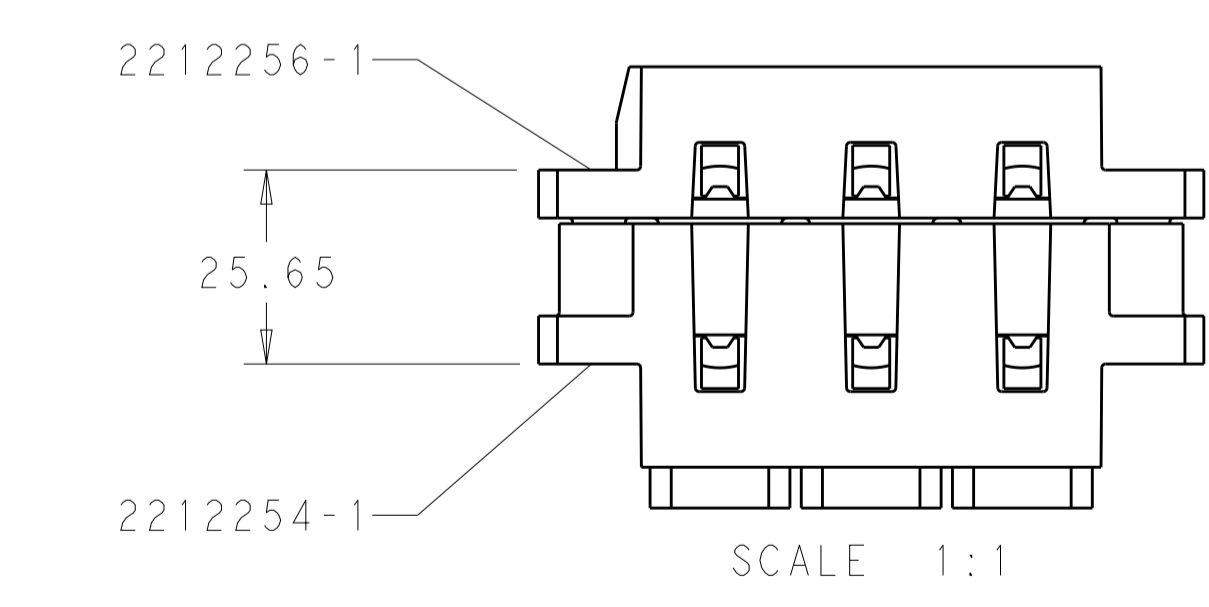
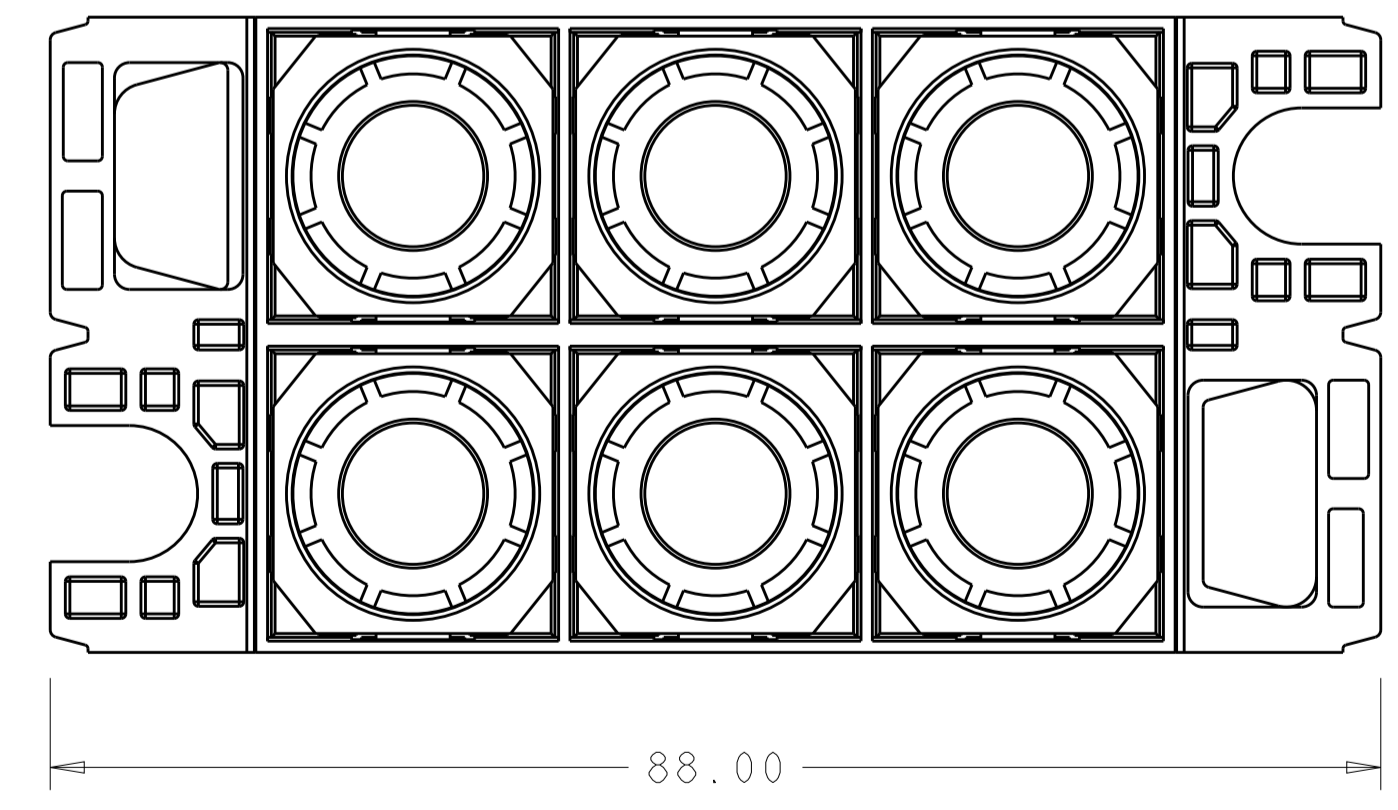
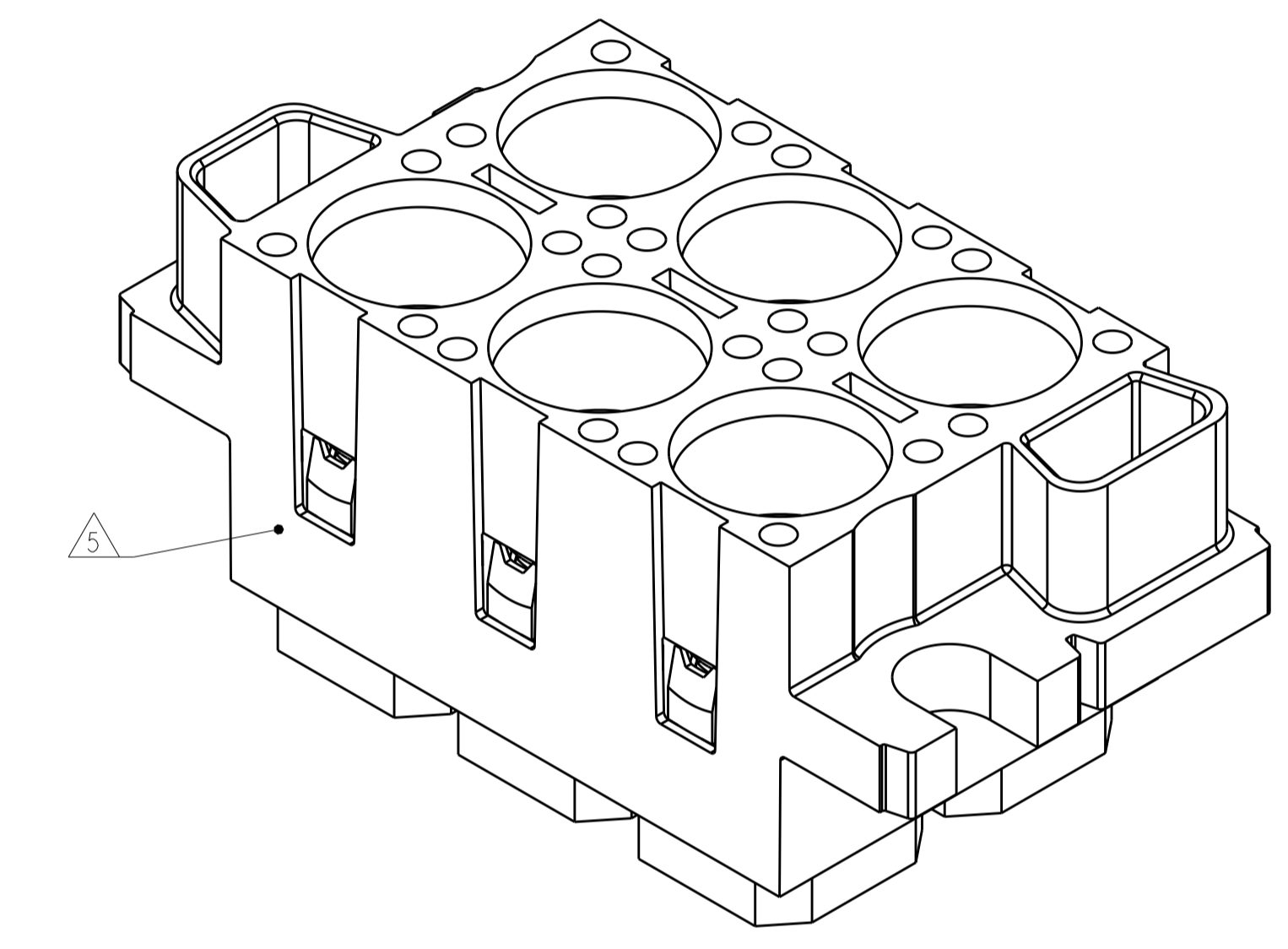
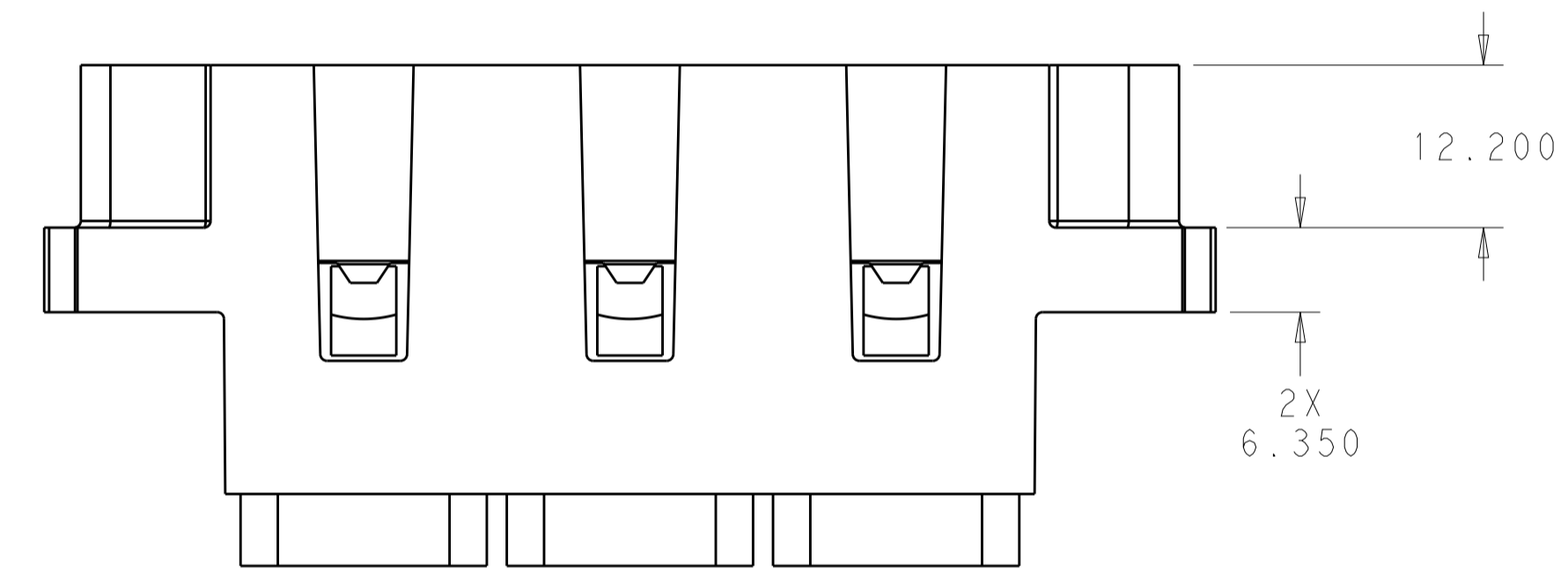
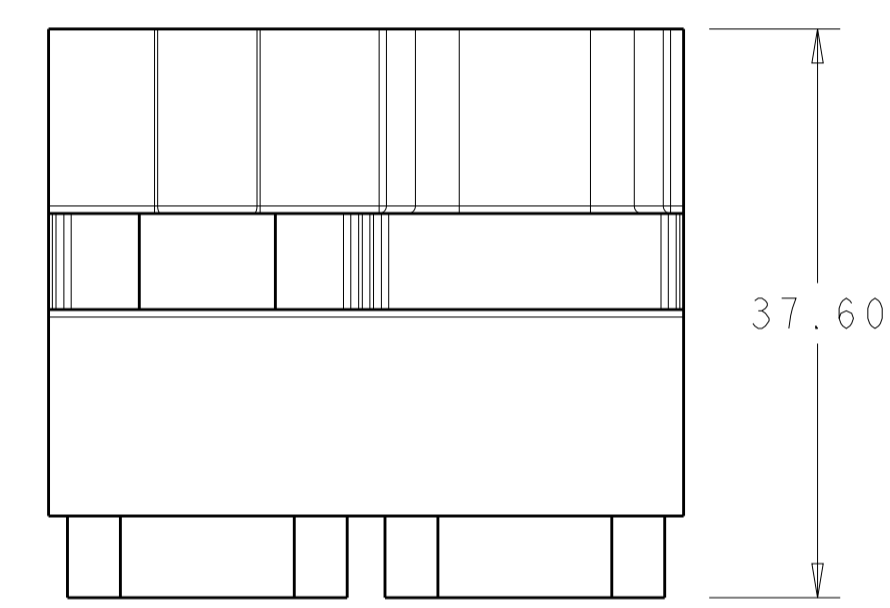


LOC		DIST		REVISIONS			
P	LTN	DESCRIPTION	DATE	DWN	APVD		
2		STANDARDIZE DWG	10FEB2015	RT	EW		



- 1 HOUSING: THERMOPLASTIC, COLOR BLACK, FLAMMABILITY RATING UL 94 V-0.
- 2 THIS ASSEMBLY TO MATE WITH TEC PART NUMBER 2212256-1.
- 3. RECOMMENDED SHOULDER SCREW:  
2212056, FLOAT MOUNT  
2212055, FIXED MOUNT
- 4 RECOMMENDED PANEL CUTOUT FOR FRONT PANEL MOUNT APPLICATION.  
RECOMMENDED PANEL THICKNESS 1.5 TO 1.78.
- 5 DATE CODE AND PART NUMBER IN APPROXIMATE AREA SHOWN.



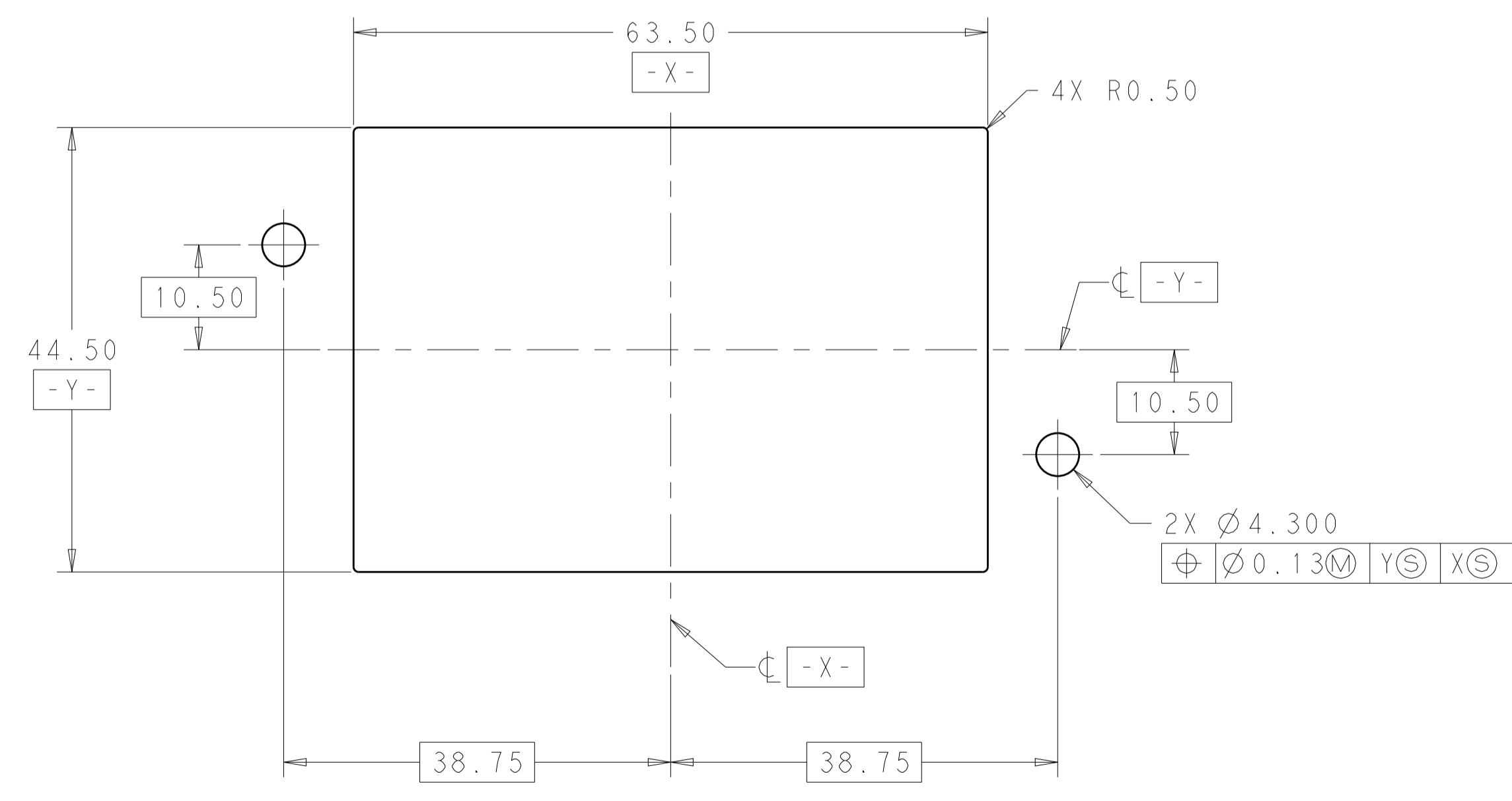
FULLY MATED ASSEMBLIES 2

CONNECTOR, PIN, FORGE 6x#0,0x#4,0x#8,0x#12,0x#22	2212254-1
DESCRIPTION	PART NO.

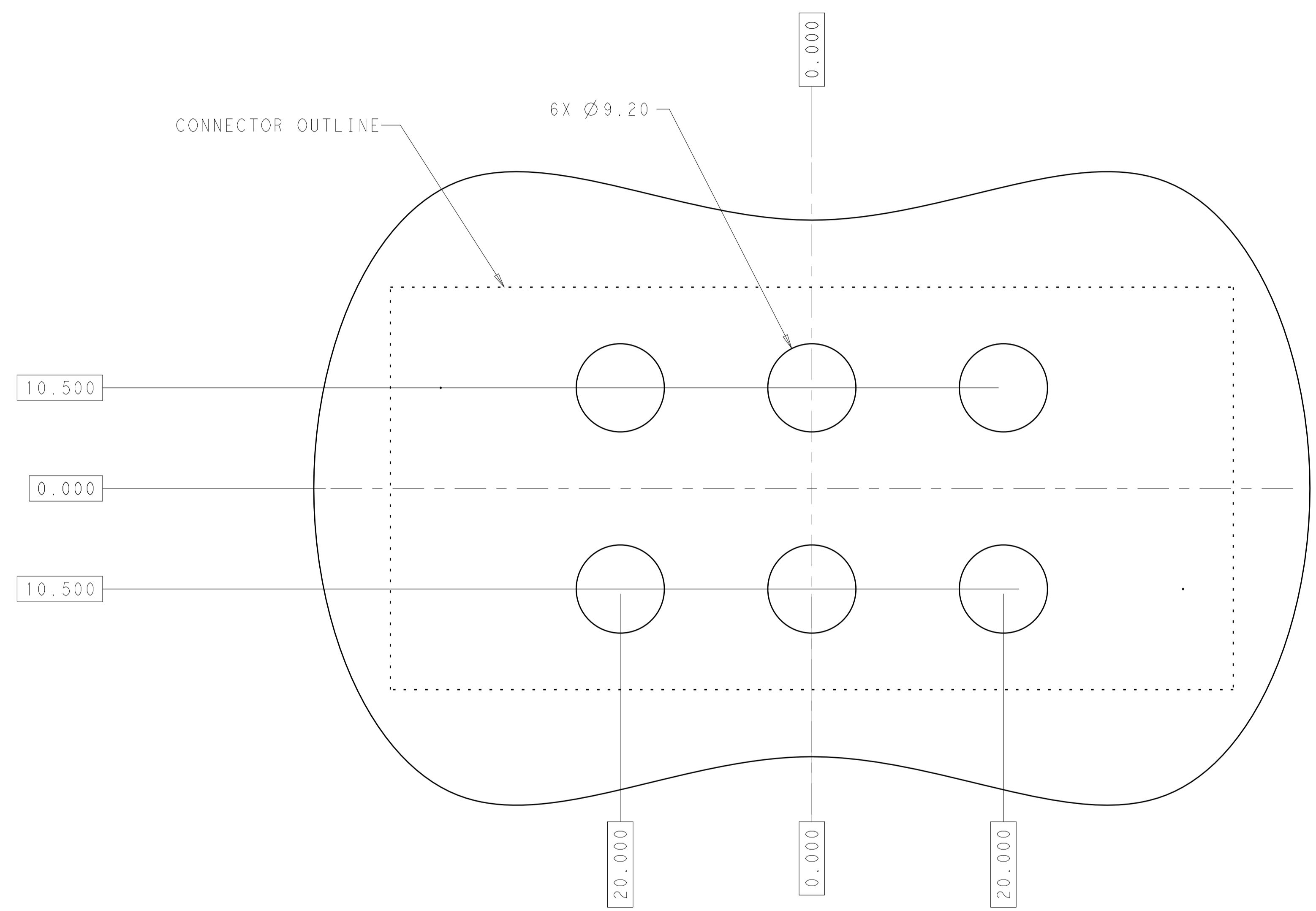
THIS PRINT IS  
**PRELIMINARY**  
 UNQUALIFIED PRODUCT  
 CONTACT PRODUCT ENGINEERING  
 BEFORE USING THIS PRINT

THIS DRAWING IS A CONTROLLED DOCUMENT.		DWN: R. IREDA 23DEC2014	
DIMENSIONS: mm		CHK: E. WICKES 23DEC2014	
TOLERANCES UNLESS OTHERWISE SPECIFIED:		APVD: S. STRICKLER 23DEC2014	NAME: CONNECTOR, PIN, FORGE 6x#0,0x#4,0x#8,0x#12,0x#22 CONFIGURATION
0 PLC ±N/A		PRODUCT SPEC: 108-2323	
1 PLC ±N/A		APPLICATION SPEC: 114-13299	SIZE: A1
2 PLC ±0.25		WEIGHT: -	CAGE CODE: 00779
3 PLC ±0.13		Customer Drawing	DRAWING NO: 2212254
4 PLC ±N/A			SCALE: 2:1
ANGLES ±N/A			SHEET: 1 OF 2
FINISH: -			REV: 2

LOC		DIST		REVISIONS			
P	LTN	DESCRIPTION	DATE	DWN	APVD		
-	-	SEE SHEET 1	-	-	-		



RECOMMENDED PANEL CUTOUT  
 SCALE 2:1



RECOMMENDED PCB LAYOUT  
 SCALE 3:1

THIS DRAWING IS A CONTROLLED DOCUMENT.		DWN R. IREDA	23DEC2014		TE Connectivity
DIMENSIONS:		CHK E. WICKES	23DEC2014		
TOLERANCES UNLESS OTHERWISE SPECIFIED:		APVD S. STRICKLER	23DEC2014	NAME CONNECTOR, PIN, FORGE	
mm		PRODUCT SPEC		6x#0, 0x#4, 0x#8, 0x#12, 0x#22	
0 PLC ±N/A		APPLICATION SPEC		CONFIGURATION	
1 PLC ±N/A		108-2323		SIZE	
2 PLC ±0.25		114-13299		CAGE CODE	
3 PLC ±0.13		WEIGHT		DRAWING NO	
4 PLC ±N/A		A100779		C=2212254	
ANGLES ±N/A		Customer Drawing		RESTRICTED TO	
FINISH		SCALE		SHEET	
		1:1		2 OF 2	
				REV	
				2	