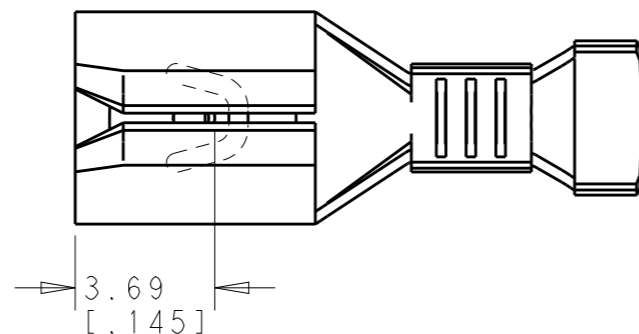
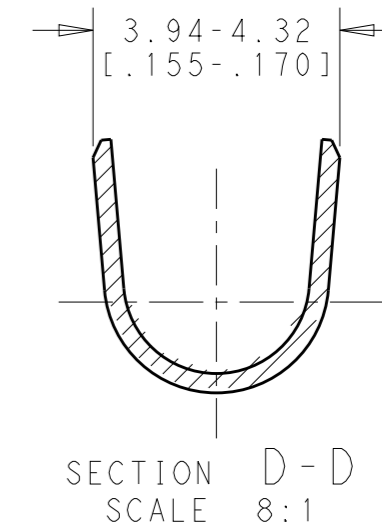
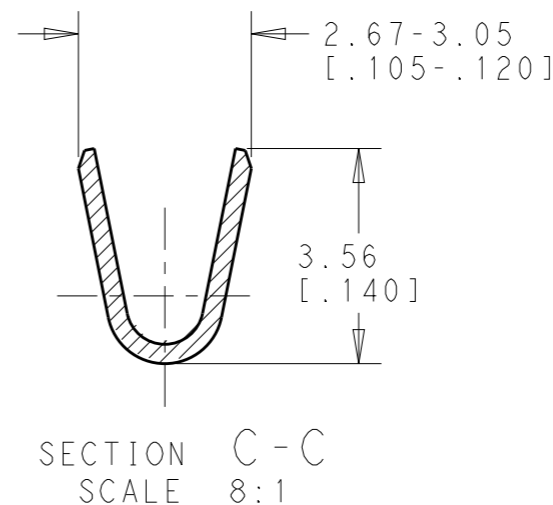
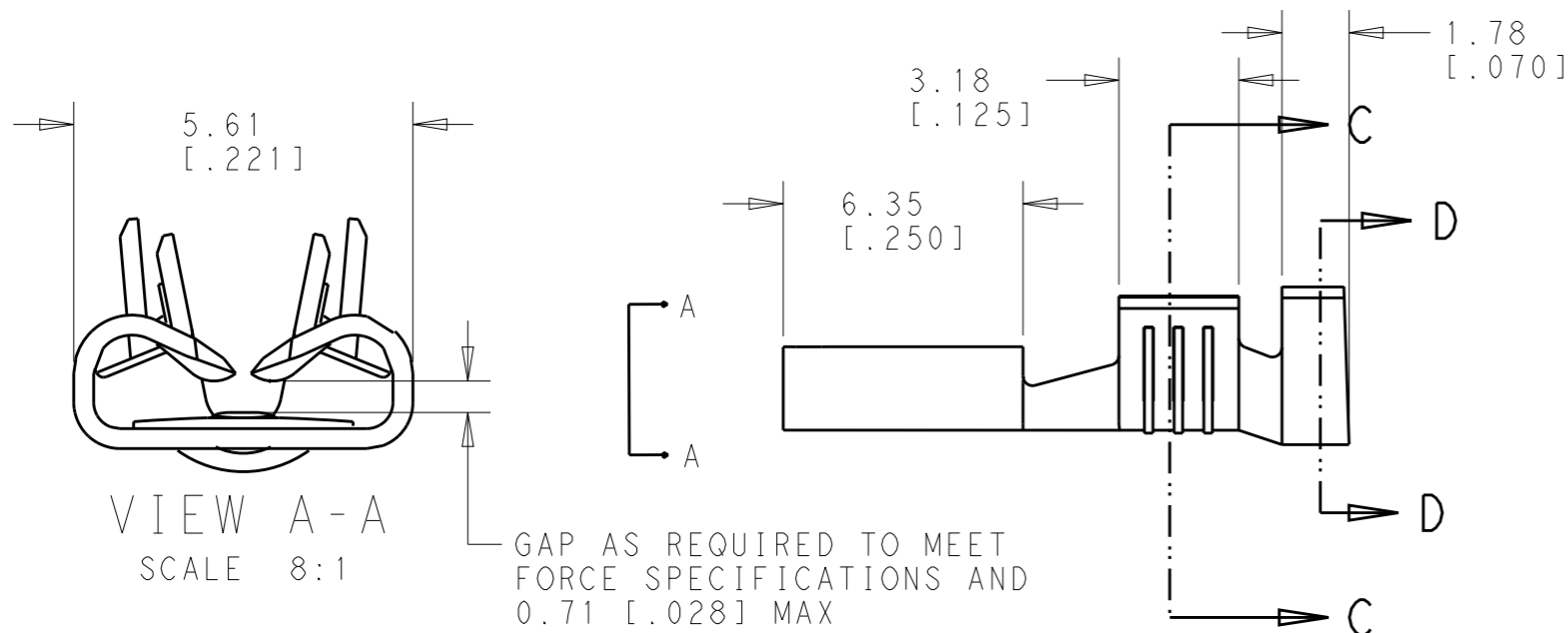


REVISIONS

P	LTR	DESCRIPTION	DATE	DWN	APVD
	A1	REVISED PER ECO-18-002715	21FEB2018	RS	DH
	A2	REVISED PER ECR-20-009164	22.07.2020	MK	DH



- 1 CONTINUOUS STRIP ON REELS.
- 2 WIRE SIZE #20-#16 AWG
- 3 INSULATION RANGE 2.29-3.30 [.090-.130] DIA
- 4 MATING TAB THK 0.84-0.76 [.033-.030]
- 5 UL APPROVAL FOR AWG 20-16
- 6 UL APPROVAL PENDING FOR AWG 20-16



TIN	BRASS	2238198-3
FINISH	MATERIAL	PART NO.

THIS DRAWING IS A CONTROLLED DOCUMENT.		DWN 05JAN2018 BASVESH WARAD	<b>STE</b> TE Connectivity	
DIMENSIONS: mm [INCHES]		CHK 05JAN2018 HUMPHREY, DAVID		
TOLERANCES UNLESS OTHERWISE SPECIFIED:		APVD 05JAN2018 HUMPHREY, DAVID	NAME FASTON 187 STD REC F-CR 20-16 TPBR	
0 PLC ± 1 PLC ± 2 PLC ±0.25 [.010] 3 PLC ± 4 PLC ± ANGLES ±5°		PRODUCT SPEC -	APPLICATION SPEC -	
MATERIAL SEE TABLE	FINISH SEE TABLE	WEIGHT -	SIZE A3	CAGE CODE 00779
		CUSTOMER DRAWING	DRAWING NO C-2238198	RESTRICTED TO -
		SCALE 5:1	SHEET 1 OF 1	REV A2