

THIS DRAWING IS UNPUBLISHED.

RELEASED FOR PUBLICATION

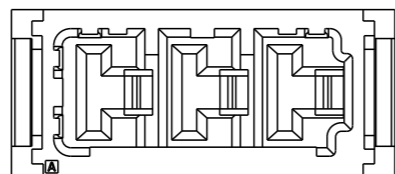
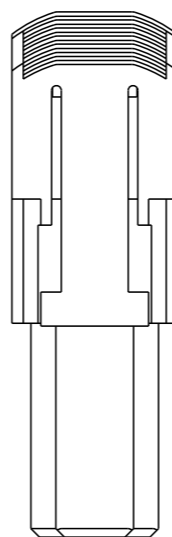
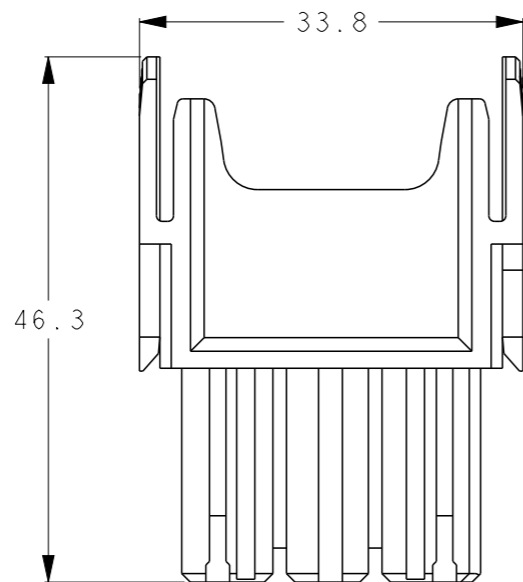
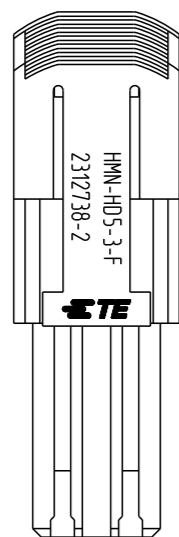
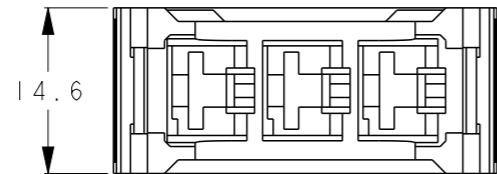
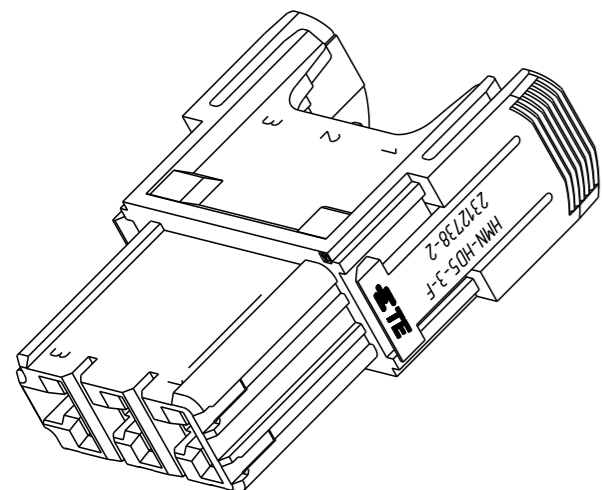
20

© COPYRIGHT 20 BY -

ALL RIGHTS RESERVED.

REVISIONS

P	LTR	DESCRIPTION	DATE	DWN	APVD
	A	RELEASED	13DEC2017	RI	EI
	B	REVISED PER ECR-18-016797	25OCT2018	RI	EI



- TECHNICAL CHARACTERISTICS :
 INSULATION MATERIAL : PBT
 RATED VOLTAGE : 300V
 RATED CURRENT : 40A
 INSULATION RESISTANCE : $\geq 1000M\Omega$
 RATED IMPULSE VOLTAGE : 4KV
 POLLUTION DEGREE : 3
 FLAMMABILITY : UL94V-0
 MATING CYCLES : 100 CYCLES
 OPERATION TEMPERATURE : $-40^{\circ}C \sim +125^{\circ}C$
 WIRE RANGE : 1.23Qmm~8.92SQmm
 CONTACT TYPE : CRIMP CONTACT
- CONTACT NEED TO BE ORDERED SEPARATELY.
 (ORDER No. REFER TO DRAWING : SEE TABLE 1)
- FRAMES NEED TO BE ORDERED SEPARATELY.
 (ORDER No. REFER TO DRAWING : SEE TABLE 2)

TABLE 1

INSULATION RANGE	WIRE RANGE	SIZE	REEL	L/P	DESCRIPTION
4.9-7.8	AWG8, 7.95-8.92SQmm	L	1318696-2	1318697-2	D5 RECEPTACLE CONTACT
4.0-5.2	AWG12-10, 3.08-5.50SQmm	M	179956-2	316041-2	
3.0-3.8	AWG16-14, 1.23-2.27SQmm	S	179955-2	316040-2	
			PART NUMBER		

TABLE 2

DESCRIPTION	PART NUMBER
H24B FEMALE FRAME FOR 6 MODULES	T2070244201-002
H16B FEMALE FRAME FOR 4 MODULES	T2070164201-002
H10B FEMALE FRAME FOR 3 MODULES	T2070104201-002
H6B FEMALE FRAME FOR 2 MODULES	T2070064201-002
H10A FEMALE FRAME FOR 1 MODULE	T2079104201-002

2312738-2
PART NUMBER

THIS DRAWING IS A CONTROLLED DOCUMENT.		DWN R. ITO 13DEC2017	TE Connectivity NAME MODULE INSERT HMN-HD5-3-F HDC DYNAMIC				
DIMENSIONS: mm		CHK T. SHIMOYASU 13DEC2017					
TOLERANCES UNLESS OTHERWISE SPECIFIED:		APVD E. IKEMATSU 13DEC2017					
0 PLC ± 0.5 1 PLC ± 0.5 2 PLC ± 0.5 3 PLC ± 0.5 4 PLC ± 0.5 ANGLES $\pm 5^{\circ}$		PRODUCT SPEC 108-140160					
MATERIAL SEE NOTE	FINISH -	APPLICATION SPEC 114-78028	WEIGHT 11.3g	SIZE A3	CAGE CODE -	DRAWING NO C-2312738	RESTRICTED TO -
CUSTOMER DRAWING			SCALE 3:2	SHEET 1 OF 1	REV B		