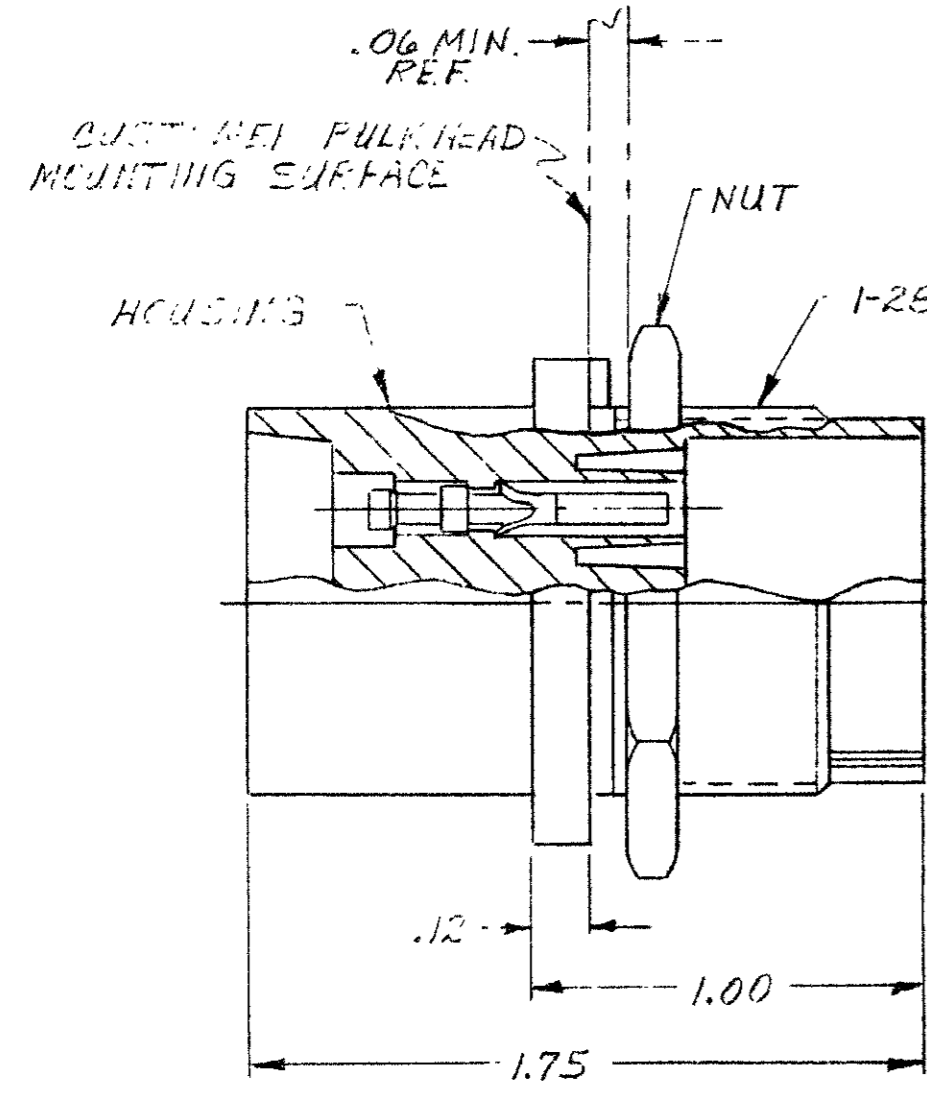


© 1976 BY AMP INCORPORATED. ALL RIGHTS RESERVED. AMP PRODUCTS COVERED BY PATENTS AND/OR PATENTS PENDING.

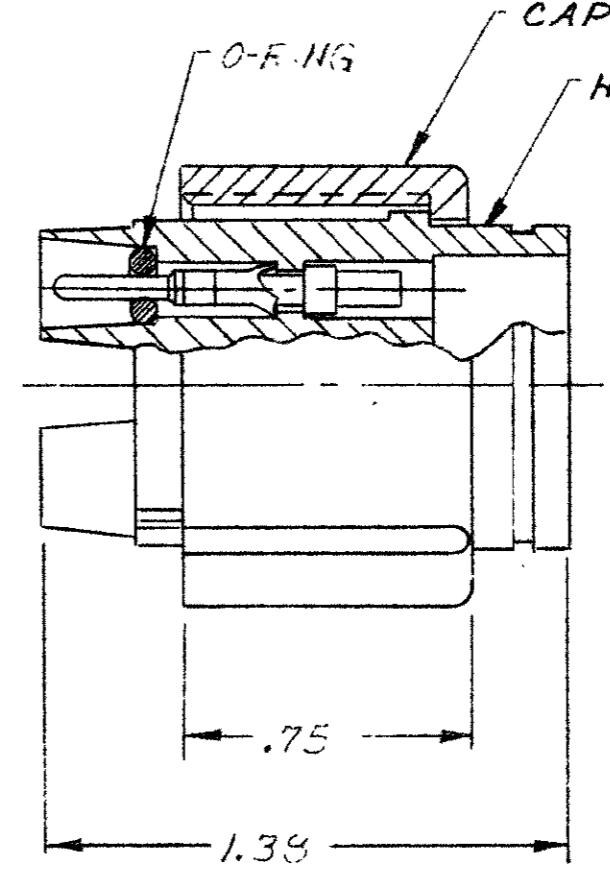
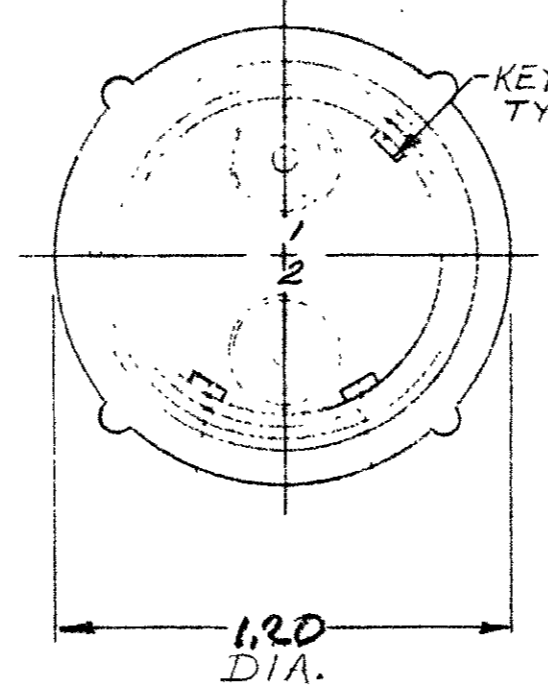
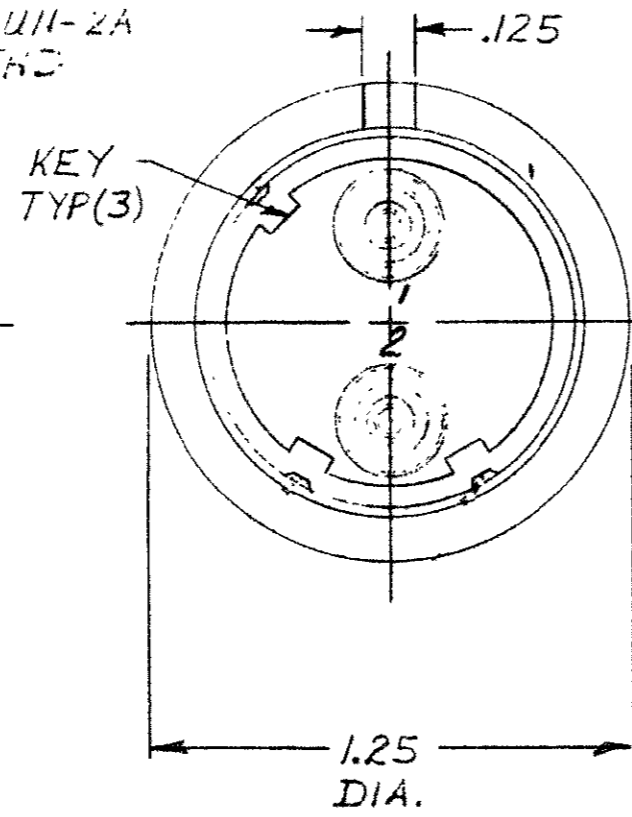
THIS PRODUCT DESIGNED AND BUILT BY AMP INCORPORATED. NO LICENSE TO USE THAT DESIGN IN MANUFACTURE, OR TO USE ANY ISSUED OR PENDING PATENTS WHICH ARE INVOLVED, IS IMPLIED.

Unpublished copy not to be reproduced or published without written permission of AMP Incorporated.

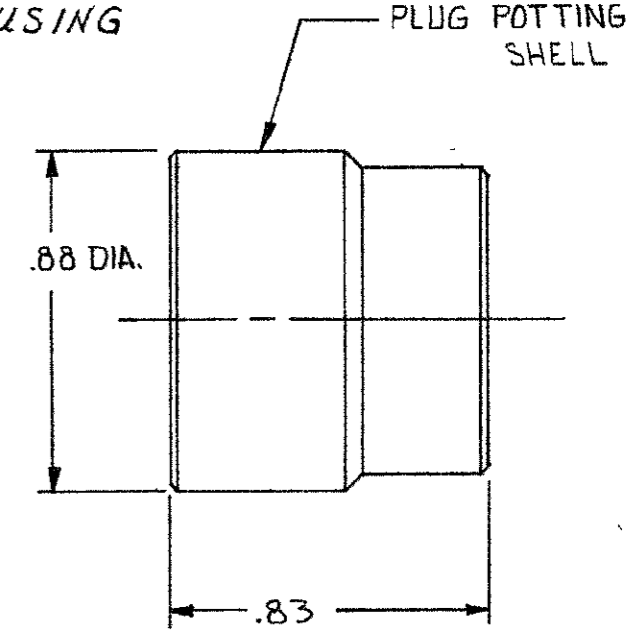
REVISIONS				
ZONE	LTR	DESCRIPTION	DATE	APPROVED
A		ECN 9034	JG 2-22-80	M.A.
B		REV PER OH14-0120-03	CT 10-04	CT



RECEPTACLE

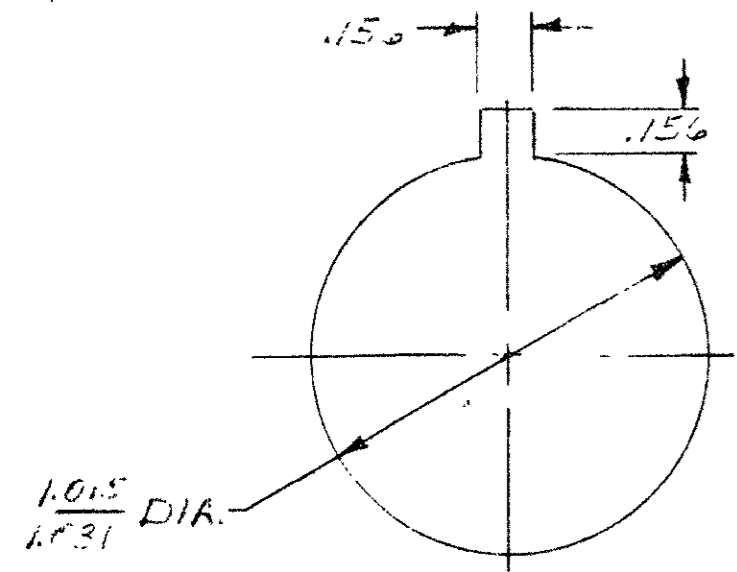


PLUG



AMP P/N	RECEPTACLE	PLUG	WIRE SIZE RANGE	HAND TOOL
863015-1	859529-4	863020-1	20,22,24	45099
863015-2	859529-5	863020-2	16,18	45098
863015-3	859529-6	863020-3	14	45098

- NOTE:
- #16 GA. PINS & SOCKETS GOLD PLATED PER MIL-G-45204, TYPE II, .00005 MIN. THK.
 - TYPE II PINS & SOCKETS TO ACCEPT (1) 20AWG, (1) 22 AWG, OR (1) 24 AWG STRANDED WIRE
 - TYPE II PINS & SOCKETS TO ACCEPT (1) 16 AWG OR (1) 18 AWG STRANDED WIRE
 - PINS & SOCKETS SUPPLIED SEPARATELY IN A PLASTIC BAG.
 - TYPE II PINS & SOCKETS TO ACCEPT ONE (1) 14 AWG STRANDED WIRE.



RECOMMENDED PANEL CUTOUT

QTY REQD	QTY REQD	ITEM NO.	DWG SIZE	PART OR IDENTIFYING NO.	NOMENCLATURE OR DESCRIPTION	SYMBOL
-2	-1				PARTS LIST	
UNLESS OTHERWISE SPECIFIED: DIMENSIONS ARE IN INCHES TOLERANCES				CONTRACT NO.		
.00 ±				AMP INCORPORATED		
.000 ±				CAPITRON DIVISION		
ANGLES =				ELIZABETHTOWN, PENNSYLVANIA		
MATERIAL:				NAME		
MULDED PLASTIC				2 PIN PLUG & RECEPTACLE KIT		
FINISH:				LGH		
BLACK				SIZE		
NEXT ASSY				CODE IDENT NO.		
FINAL ASSY				NUMBER		
NEXT ASSY				C 00779		
USED ON				863015		
QTY REQD				SCALE 2-1		
APPLICATION				WT		
				SHEET 10F1		