



Since 1959

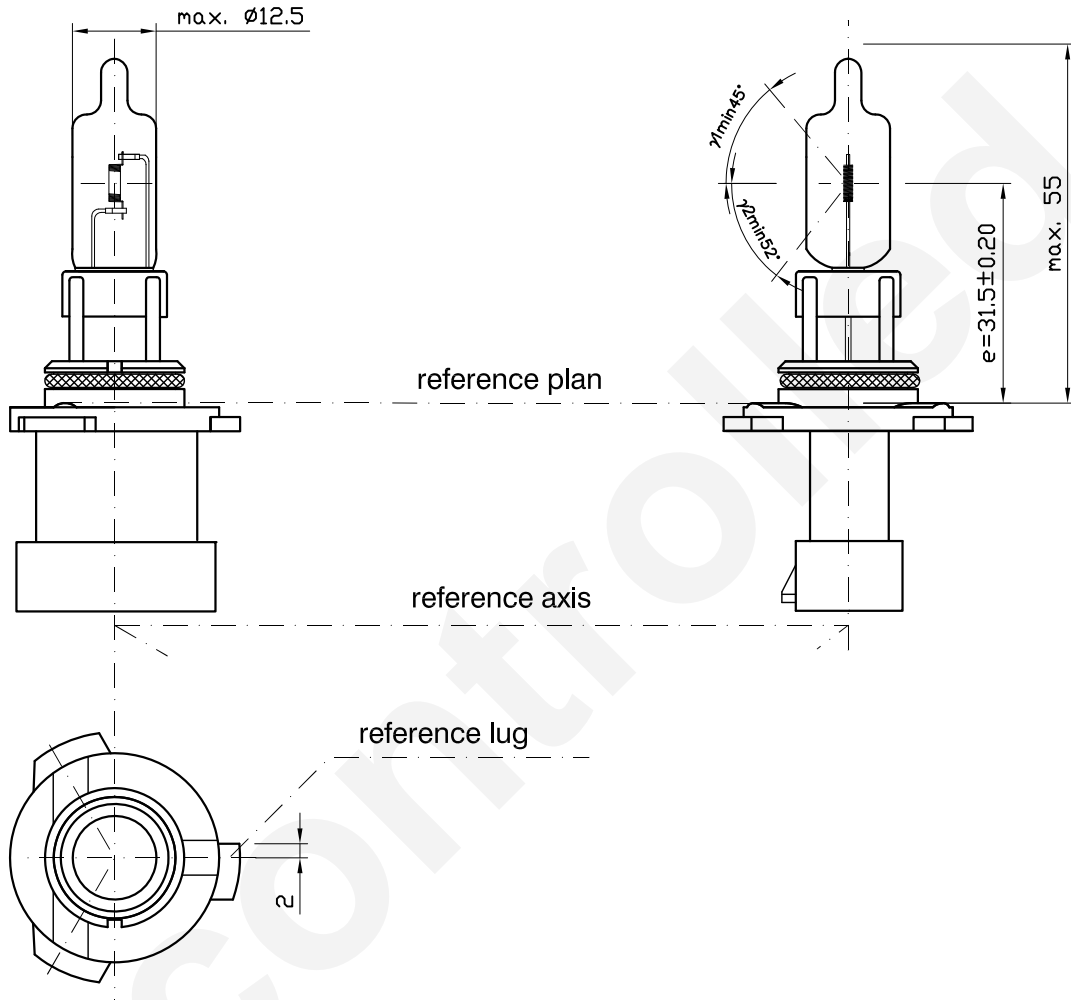
Product Information Sheet

HB3A (9005XS) 12V 65W

9005XS

2009. 05. 12 NEW

2008. 07. 22 OLD



* all dimensions in mm

Halogen bulb	
HB3A 12V 65W	
Cap: 1)	P20d
Type:	9005XS
ECE R37	(E13) 2L0
FMVSS 108	DOT
Bulb mat.: Hardglass	
Made in korea / INCHEON	

1) according to IEC 61-1 sheet 7004-31-1

Technical data	R37	FMVSS108
Test voltage	13.2V	12.8V
Power	73W max	70W max
Luminous flux	1860lm ±12%	1700lm ±12%
Lumen maintenance	90 % min	90 % min
Rated life:	at 13.2V	at 14.0V
- characteristic Tc	300 h min	- Average
- B3	150 h min	150 hr

Maximum operating temperature:	bulb 650°C max pinch 400°C max
Operating position	vertical