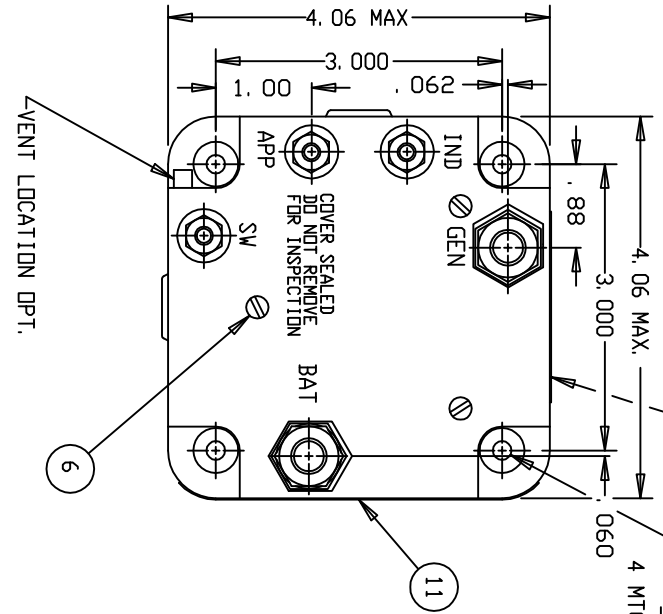


REV.	DESCRIPTION	DATE	APPROVED
A	ADDED .06 & 1.00 DIM'S	04/03/31	RS
B	0691-04 REMOVED PRELIMINARY. ADDED TYCOO P/N	04/08/30	CB
C	0691-04 REMOVED ITEM 12, 13 BALDONS	04/12/09	JMK
D	12-011320 ITEM 11 WAS 39529-001 OVERLAY	12/06/18	MDM

(REMOVE FINISH FROM BOTH SIDES OF THE .44 DIA)

1 LOCATION OPTIONAL
 .196 ± .010 DIA. HOLE
 4 MTG. HOLES



CONSTRUCTION
 MAIN CONTACTS
 CONFIGURATION
 VOLTAGE
 CURRENT

GASKET SEALED (VENTED)

SPST N. D.
 28 VDC
 400 AMP
 1000 AMP FDR 30 SEC
 1500 AMP INRUSH

0.5 +/- 0.15 VDC
 25-50 AMPS

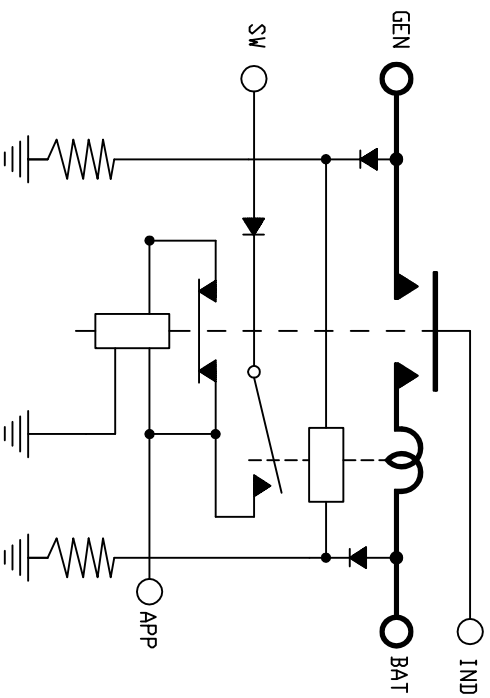
DIFF. PICKUP
 REV. I DROPOUT

COIL DATA
 VOLTAGE
 PICKUP
 PULL THROUGH
 DROPOUT
 RESISTANCE AT 25°C
 PICKUP
 HOLDING
 PEAK INRUSH
 DUTY

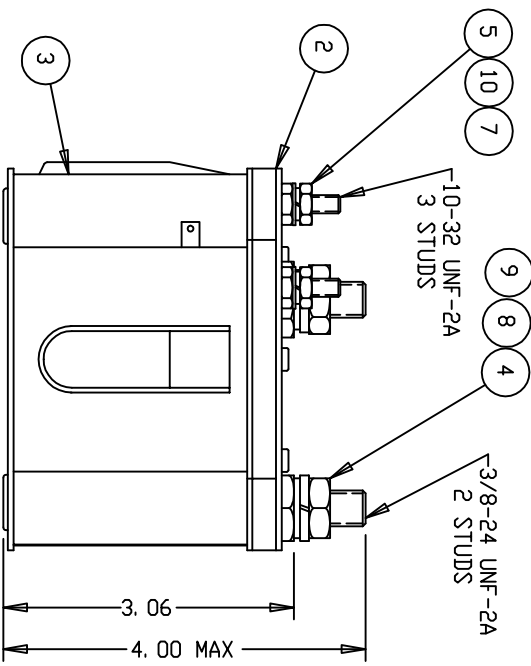
7.5 OHM +/- 20%
 80 OHM +/- 20%
 3 AMP MAX
 CONTINUOUS ECONOMIZING

AMBIENT TEMPERATURE
 LIFE ELECTRICAL
 WEIGHT

-55°C TO +71°C
 50,000 CYCLES MIN
 3 LBS., 10 OZ.



NOTES:
 1. DESIGNED TO MEET THE APPLICABLE PORTIONS OF MIL-C-5026 AND MIL-R-6106.
 2. MOUNTING SURFACE SHALL PROVIDE ELECTRICAL GROUND



QTY	PART DR	NAME	PLATE	PLATE - NAME	FSCM	DRAWING DR	MATERIAL
11	1	148336-001	WASHER - LOCK, NO. 10 SPLIT				STEEL
10	3	51810-031	WASHER - LOCK 3/8 X .688 X .094 SPLIT				STEEL
9	2	51807-071	WASHER - 5/8 X .390 X .064				STEEL
8	2	51704-161	WASHER - 7/16 X 13/64 X .032				STEEL
7	3	51702-851	SCREW - 4 X 1/4 PAN HD. SHT. MTL.				S. STEEL
6	3	51200-020	NUT - 10-32 X 3/8 X 1/8 HEX.				BRASS
5	3	50410-086	NUT - 3/8-24 X 5/8 X 7/32 HEX.				BRASS
4	2	50407-166	PRIMARY ASSEMBLY				
3	1	33491-010	PLATE - BASE COVER				
2	1	33254-003	PLATE - NAME				
1	1	16043-001					

FIN D	QTY	PART DR	IDENTIFYING NO	NOMENCLATURE OR DESCRIPTION	FSCM	DRAWING DR	MATERIAL
1	1	16043-001		PLATE - NAME			

UNLESS OTHERWISE SPECIFIED	DIMENSIONS ARE IN INCHES	TOLERANCES IN
± .06	± .010	± .1

DR BY	RCB	04/03/31
CHK BY	CB	04/03/31
ENGR	RSS	04/03/31
MFG	MH	04/03/31

SIZE	CODE IDENT
C	74063

SCALE	INDIC SHEET

DR	BY	RCB	04/03/31
CHK	BY	CB	04/03/31
ENGR	RSS	04/03/31	
MFG	MH	04/03/31	

SIZE	CODE IDENT
C	74063

SCALE	INDIC SHEET

tyco Electronics
 Tyco Electronics Corp., 175 N. Diamond Street, Mansfield, Ohio 44902

CUTOUT-REVERSE CURRENT
 400 AMP - 28VDC 093

DWG NO. A-701DA
 REF TE P/N 1-1616941-2