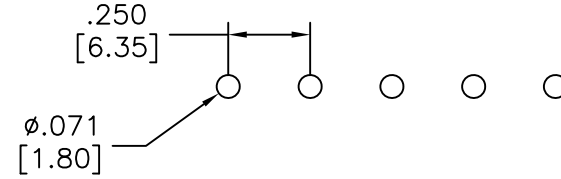
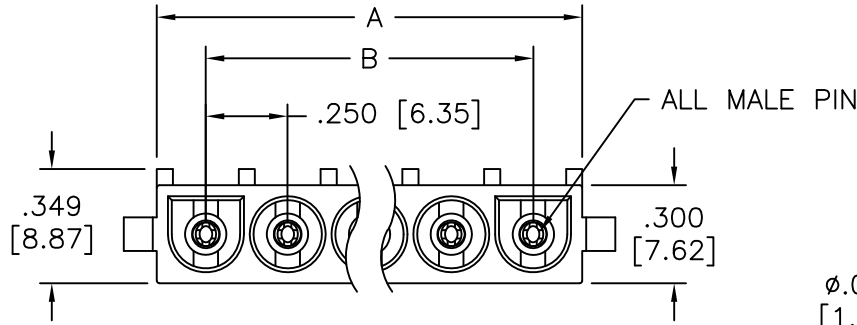
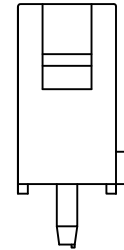
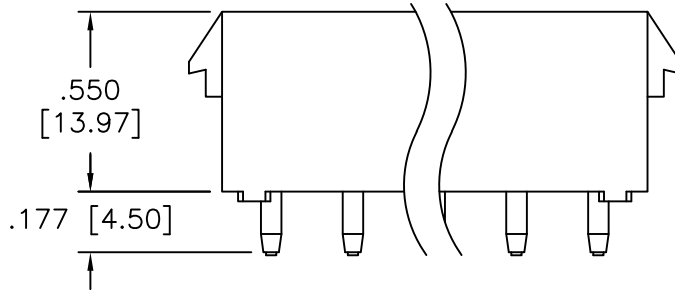


APPROVED: \_\_\_\_\_  
 DATE: \_\_\_\_\_ TITLE: \_\_\_\_\_

Rev	AWO #	Description	Date	Appr
-		RELEASED	9/05/08	
A		ADDED SPEC.	7/25/11	



Recommended PCB Layout



**SPECIFICATIONS:**

Material:  
 Insulator: Nylon 66, rated UL 94V-0  
 Insulator color: White  
 Contacts: Brass, Tin plated  
 Electrical:  
 Voltage rating: 600 V  
 Current rating: 2~4P: 13A, 6~10P: 11A  
 Dielectric withstanding voltage: 5000 VAC for 1 minute  
 Temperature Rating:  
 -55°C to +105°C  
 Environmental:  
 Lead free, RoHS compliant.



Poles: 02 thru 10

A = .250 [6.35] X No. of Positions + .050 [1.27]

B = .250 [6.35] X No. of Spaces

UNLESS OTHERWISE SPECIFIED ALL DIMENSIONS ARE MM [INCHES] TOLERANCES: EXCEPT AS NOTED		<b>ADAM TECH</b> 909 Rahway Avenue, Union, NJ 07083 Phone: 908-687-5000 Fax: 908-687-5710	
INCHES HOLES .X ± .10 Ø.X ± .10 .XX ± .020 Ø.XX ± .015 .XXX ± .015 Ø.XXX ± .010			
APPROVALS		TITLE	
DRAWN	DY	WIRE TO BOARD, FEMALE, 6.35mm PITCH WITHOUT POLARIZING, SINGLE ROW TYPE	
CHECKED		DATE	
APPROVED		DATE	9/05/08
SIZE	PART NO.	REV.	
X	DME-XX-S-S-V0	A	
REF:	S000123T	SCALE:	NTS
		SHEET	1 OF 1